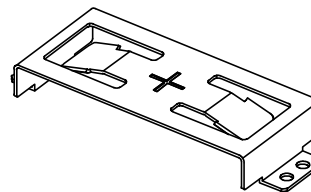
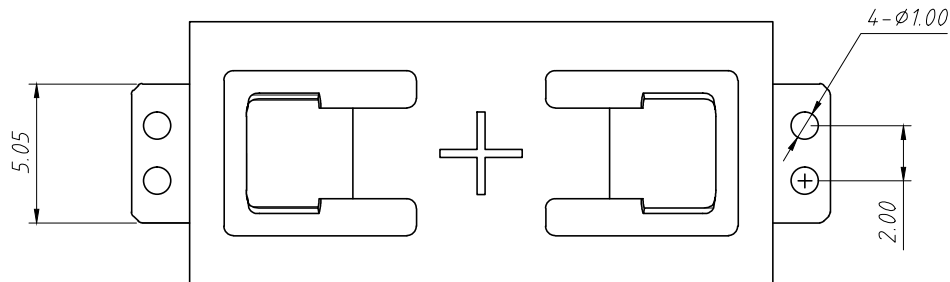


RoHS Compliance



Notes:

1:Material:

Phosphor Bronze T=0.25mm, Nickel Plated.

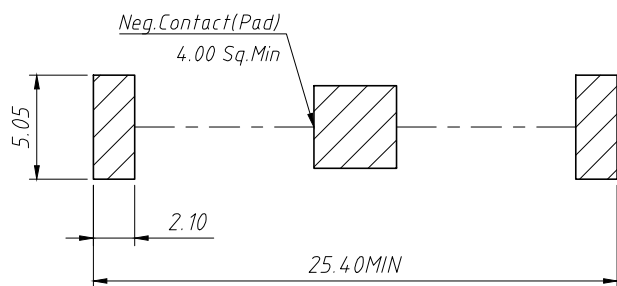
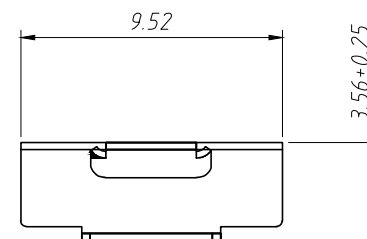
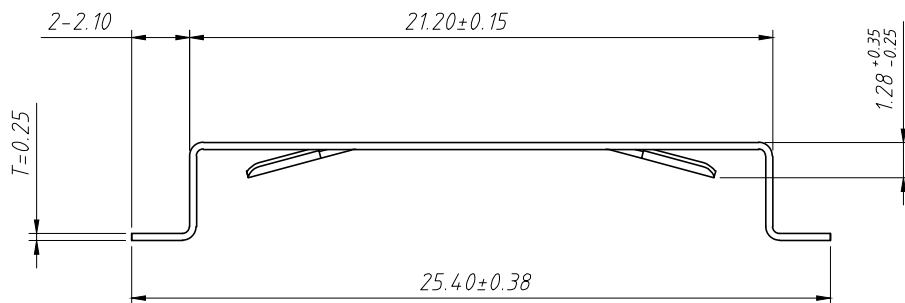
2:Electric:

Dielectric Voltage: 500V AC One Sec Level.

Contact Resistance: 30 mΩ Max.

Insulator Resistance: 100 MΩ Min.

Operating Temperature: -40°C ~ +85°C.



Recommended PCB Layout
Tolerance: ±0.05mm

ANGLE TOLERANCE	PROJECTION	Description:
±3°		CR2032 Coin Cell Retainers
GENERAL TOLERANCE	UNITS	mm
x.x ±0.30	SHEET SIZE	A4
x.xx ±0.20	Draw:	Daniel 2023-02-23
x.xxx ±0.10	Check:	Daniel 2023-02-23



NingBo KLS ELECTRONIC CO.,LTD.