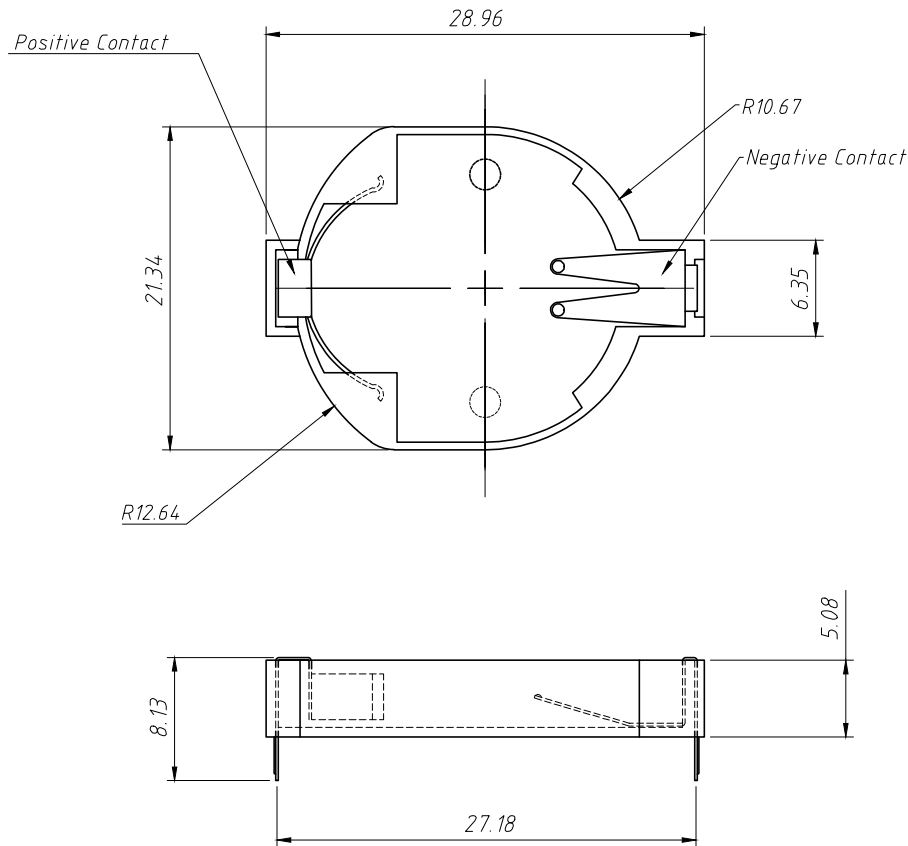


RoHS Compliance



*Specifications:*

*Holder Material: PBT, 30% Glass Reinforced, Black, UI94v-0*

*Temperature Range: -40°C To +180°C, UL File No. E53829*

*Contacts : Stainless Steel 301, Spring Temper, Nickel Plated*

*Vibration Test: 10-50-10 Hz Swept In 60 Seconds, X,Y,Z Direction: 1 Hour Each Direction*

*Result: No Dislodgement Of The Cell Or Damage*

*No Discontinuity Over 10 Micro-Seconds*

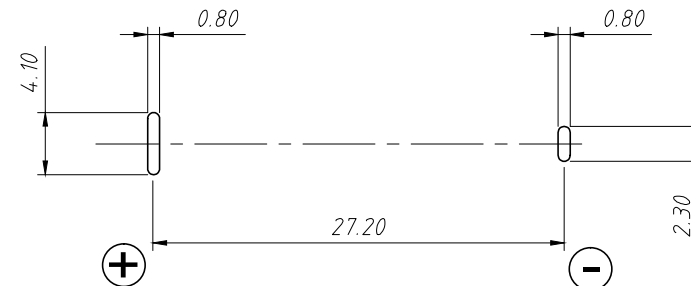
*Shock Test: Half Sine Wave Acceleration 150g.*

*6 Micro-Seconds 3 Shock Pulses Each Direction Per Axis Total Of 18 Pulses*

*Result: No Evidence Of Physical Damage*

*Drop Test: Mounted On Board And Dropped 5 Times From 1m High To Concrete Floor*

*Result: No Dislodgement Of The Cell, No Damage To The Holders*



*PCB Layout*

ANGLE TOLERANCE	PROJECTION		Description:	
±3°			CR2032 DIP COIN CELL RETAINERS	
GENERAL TOLERANCE	UNITS	mm	KLS P/N:	L-KLS5-CR2032-31B
x.x ±0.30	SHEET SIZE	A4	Draw:	Daniel 2023-02-27
x.xx ±0.20	Draw:	Daniel	2023-02-27	NingBo KLS ELECTRONIC CO.,LTD.
x.xxx ±0.10	Check:	Daniel	2023-02-27	