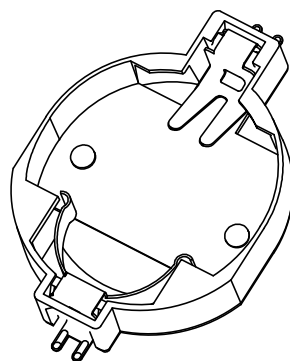
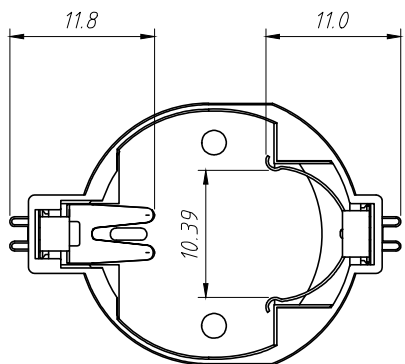
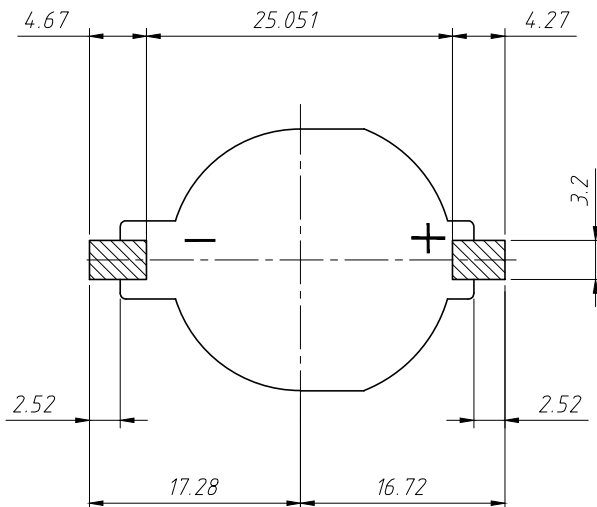
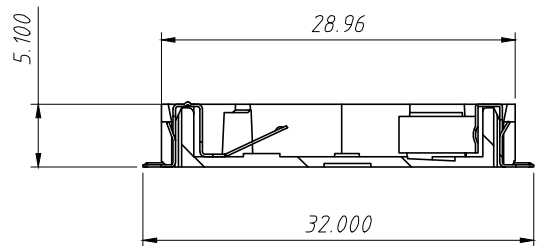


RoHS Compliance

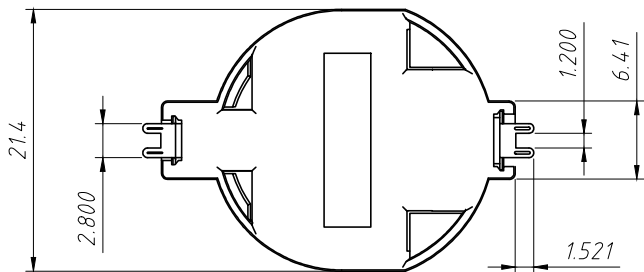


Material:
 Housing: Thermoplastic Glass Fibre UL94V-0 Brown
 Contact: Phosphor Bronze
 Terminal(+): Phosphor Bronze T=0.2MM
 Gold Plating and Ni Under-Plating
 Terminal(-): Phosphor Bronze T=0.2MM
 Gold Plating and Ni Under-Plating

Electric:
 Contact Resistance: 30 Milliohms Max
 Insulation Resistance: 1000 Mega Ohms Min
 Dielectric Voltage: 500V Ac One Sec Level
 Operating Temperature: -25°C ~ +85°C



PCB Layout Diagram
 Top View



ANGLE TOLERANCE		PROJECTION		Description:	
±3°				CR2032 Coin Cell Retainers	
GENERAL TOLERANCE		UNITS	mm	KLS P/N:	L-KLS5-CR2032-31-R
x.x	±0.30	SHEET SIZE	A4	Draw:	Daniel 2023-03-03
x.xx	±0.20	Draw:	Daniel	2023-03-03	NingBo KLS ELECTRONIC CO.,LTD.
x.xxx	±0.10	Check:	Daniel	2023-03-03	