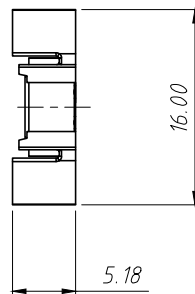
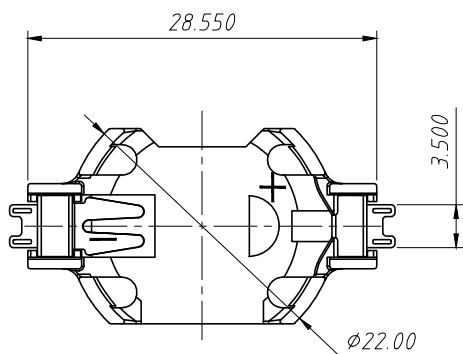


RoHS Compliance



Material:

Housing: Thermoplastic Glass Fibre UL 94 V-0 White

Contact: Phosphor Bronze

Terminal(+): Phosphor Bronze T=0.15MM Sn-Plating

Terminal(-): Phosphor Bronze T=0.15MM Sn-Plating

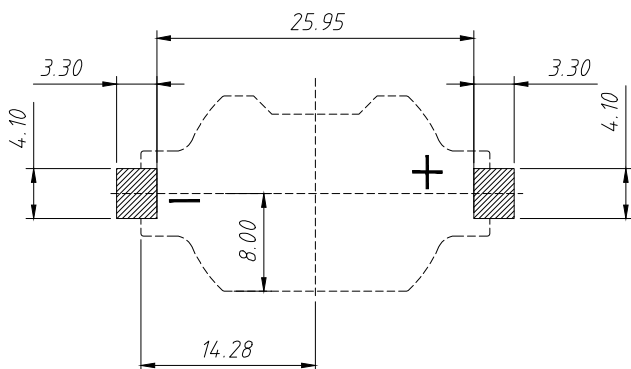
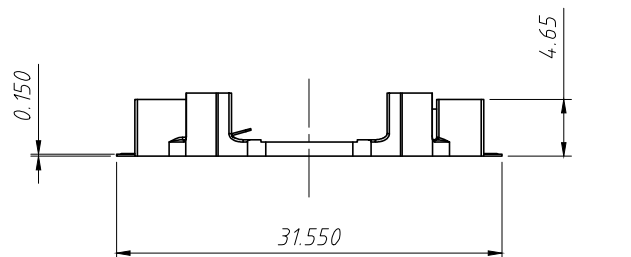
Electric:

Contact Resistance: 30 Milliohms Max

Insulation Resistance: 1000 Mega Ohms Min

Dielectric Voltage: 500V Ac One Sec Level

Operating Temperature: -25°C ~ +85°C



PCB Layout Diagram
Top View

| ANGLE TOLERANCE | PROJECTION | Description: |
|-------------------|------------|----------------------------|
| ±3° | | CR2032 Coin Cell Retainers |
| GENERAL TOLERANCE | UNITS | mm |
| x.x ±0.30 | SHEET SIZE | A4 |
| x.xx ±0.20 | Draw: | Daniel 2023-03-03 |
| x.xxx ±0.10 | Check: | Daniel 2023-03-03 |

NingBo KLS ELECTRONIC CO.,LTD.