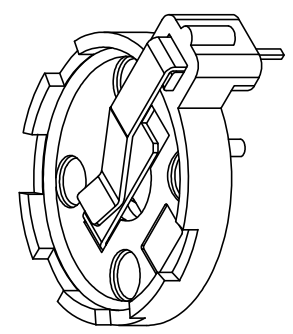
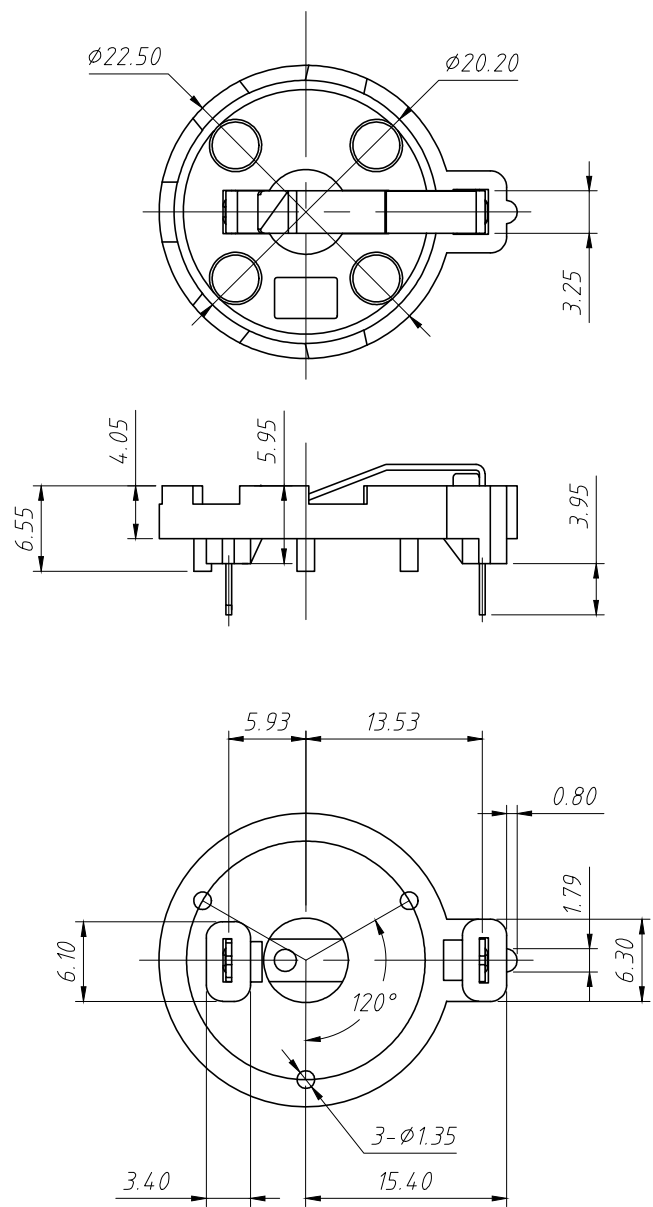
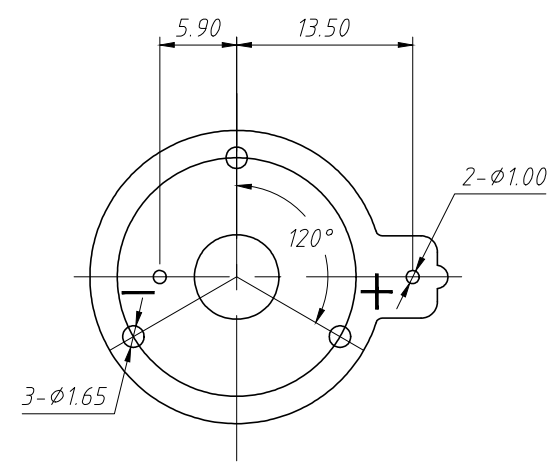


RoHS Compliance



Material:
 Housing: Thermoplastic Glass Fibre UL 94V-0 Black
 Contact: MN Steel
 Terminal(+): MN Steel T=0.45MM Ni-Plating
 Terminal(-): MN Steel T=0.45MM Ni-Plating
 (Surface Plating: Ni100u")

Electrical:
 Contact Resistance: 30 Milliohms Max
 Insulation Resistance: 1000 Mega Ohms Min
 Dielectric Voltage: 500V Ac One Sec Level
 Operating Temperature: -25°C ~ + 85°C



PCB Layout Diagram
 Top View

| ANGLE TOLERANCE | PROJECTION | Description: |
|-------------------|------------|--------------------------------|
| ±3° | | CR2032 DIP COIN CELL RETAINERS |
| GENERAL TOLERANCE | UNITS | mm |
| x.x ±0.30 | SHEET SIZE | A4 |
| x.xx ±0.20 | Draw: | Daniel 2023-02-27 |
| x.xxx ±0.10 | Check: | Daniel 2023-02-27 |

NingBo KLS ELECTRONIC CO.,LTD.