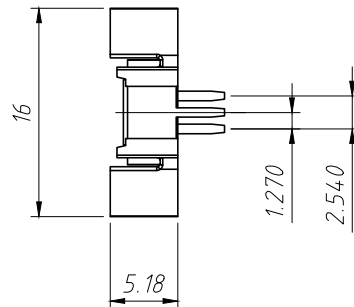
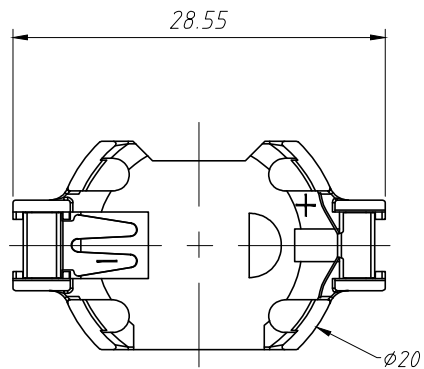


RoHS Compliance



Material:

Housing: Thermoplastic Glass Fibre UL 94 V-0 White

Contact: Phosphor Bronze

Terminal(+): Phosphor Bronze T=0.15mm Sn-Plating

Terminal(-): Phosphor Bronze T=0.15mm Sn-Plating

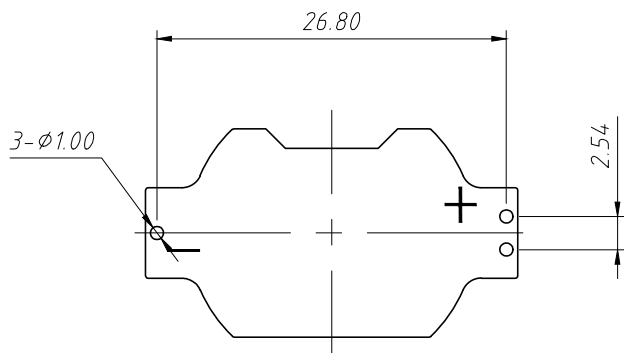
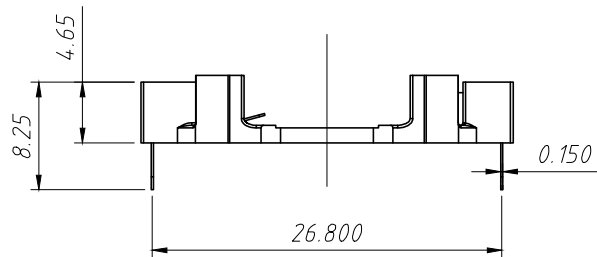
Electrical:

Contact Resistance: 30 Milliohms Max

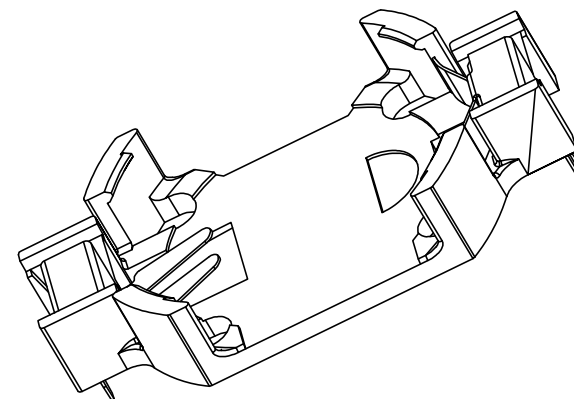
Insulation Resistance: 1000 Mega Ohms Min

Dielectric Voltage: 500V Ac One Sec Level

Operating Temperature: -25°C ~ +85°C



*PCB Layout Diagram
 Top View*



ANGLE TOLERANCE	PROJECTION	Description:
$\pm 3^\circ$		CR2032 DIP COIN CELL RETAINERS
GENERAL TOLERANCE	UNITS	mm
x.x ± 0.30	SHEET SIZE	A4
x.xx ± 0.20	Draw:	Daniel 2023-02-27
x.xxx ± 0.10	Check:	Daniel 2023-02-27

NingBo KLS ELECTRONIC CO.,LTD.