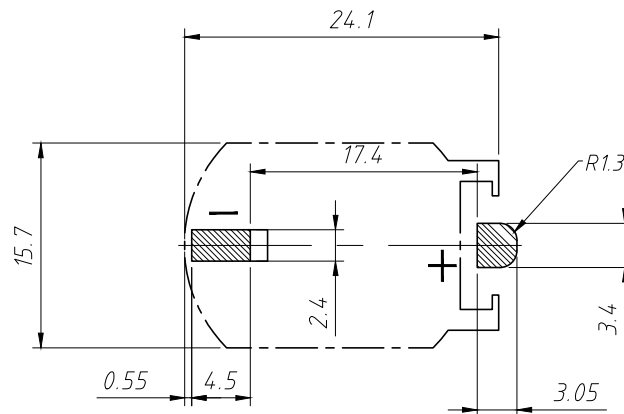
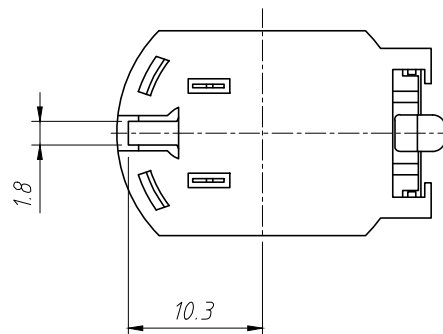
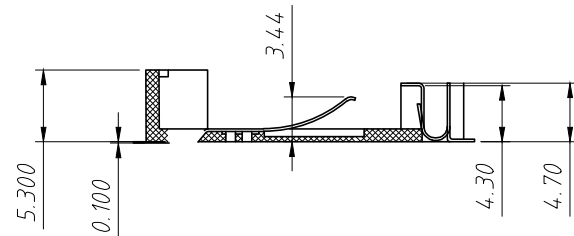
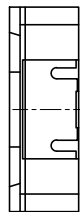
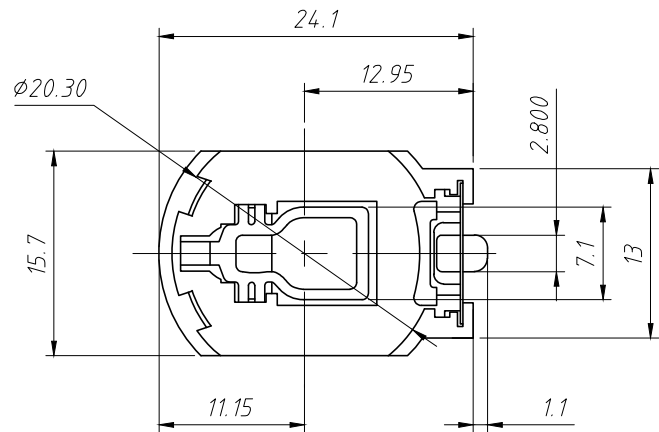
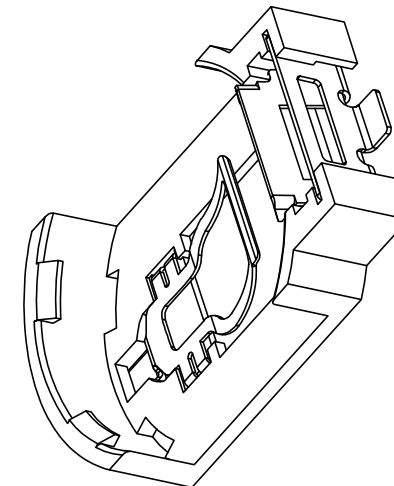


RoHS Compliance



PCB Layout Diagram
Top View



Material:

Housing:PPA Brown

Contact:Phosphor Bronze

Terminal(+):Phosphor Bronze T=0.2MM

Gold Plating and Ni Under-Plating

Terminal(-):Phosphor Bronze T=0.2MM

Gold Plating and Ni Under-Plating

Electric:

Contact Resistance: 30 Milliohms Max

Insulation Resistance: 1000 Mega Ohms Min

Dielectric Voltage: 500V Ac One Sec Level

Operating Temperature: -25°C ~ + 85°C

ANGLE TOLERANCE	PROJECTION	Description:
±3°		CR2032 DIP COIN CELL RETAINERS
GENERAL TOLERANCE	UNITS	mm
x.x ±0.30	SHEET SIZE	A4
x.xx ±0.20	Draw:	Daniel 2023-02-27
x.xxx ±0.10	Check:	Daniel 2023-02-27



NingBo KLS ELECTRONIC CO.,LTD.