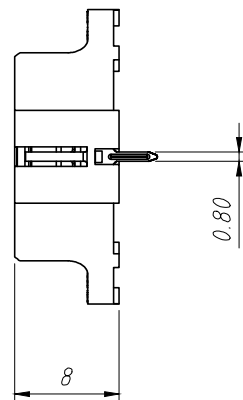
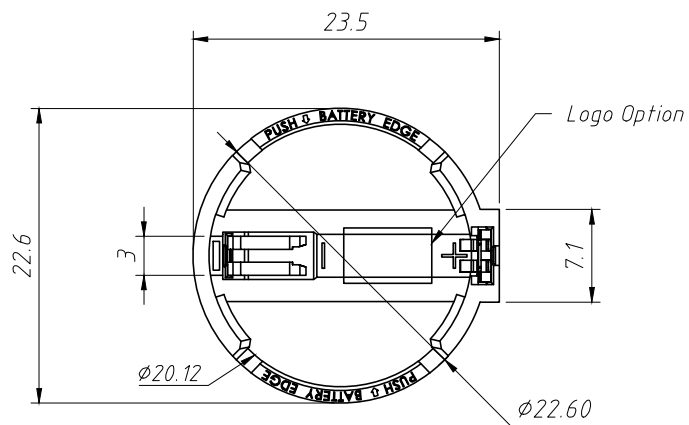


RoHS Compliance



Material:

Housing: Thermoplastic Glass Fibre UL 94 V-0

Contact: Phosphor Black

Terminal(+): Phosphor Bronze T=0.2MM Sn-Plating

Terminal(-): Phosphor Bronze T=0.2MM Sn-Plating

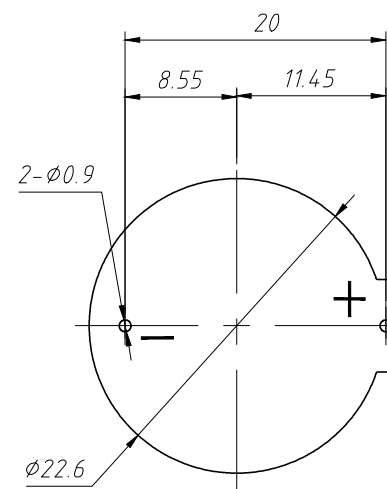
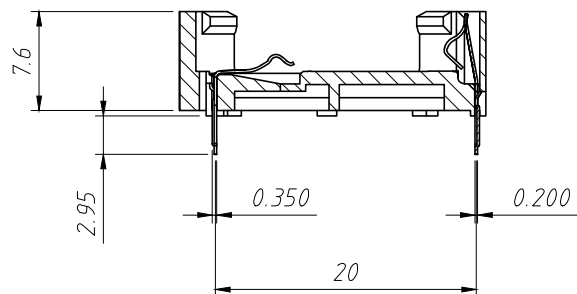
Electric:

Contact Resistance: 30 Milliohms Max

Insulation Resistance: 1000 Mega Ohms Min

Dielectric Voltage: 750V Ac One Sec Level

Operating Temperature:  $-25^{\circ}\text{C} \sim +85^{\circ}\text{C}$



PCB Layout Diagram  
Top View

ANGLE TOLERANCE	PROJECTION	Description:
$\pm 3^{\circ}$		CR2032 DIP COIN CELL RETAINERS
GENERAL TOLERANCE	UNITS	mm
x.x $\pm 0.30$	SHEET SIZE	A4
x.xx $\pm 0.20$	Draw:	Daniel 2023-02-27
x.xxx $\pm 0.10$	Check:	Daniel 2023-02-27

NingBo KLS ELECTRONIC CO.,LTD.