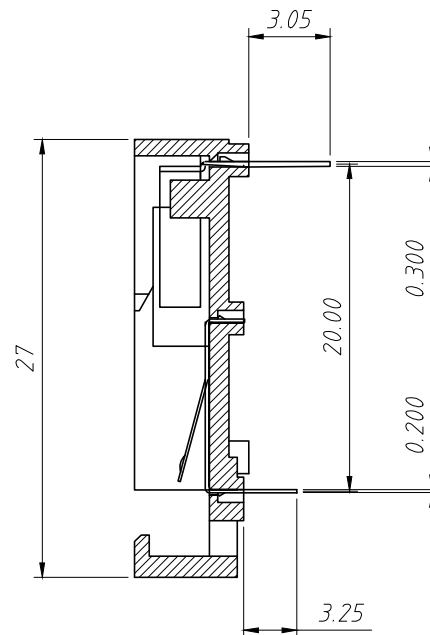
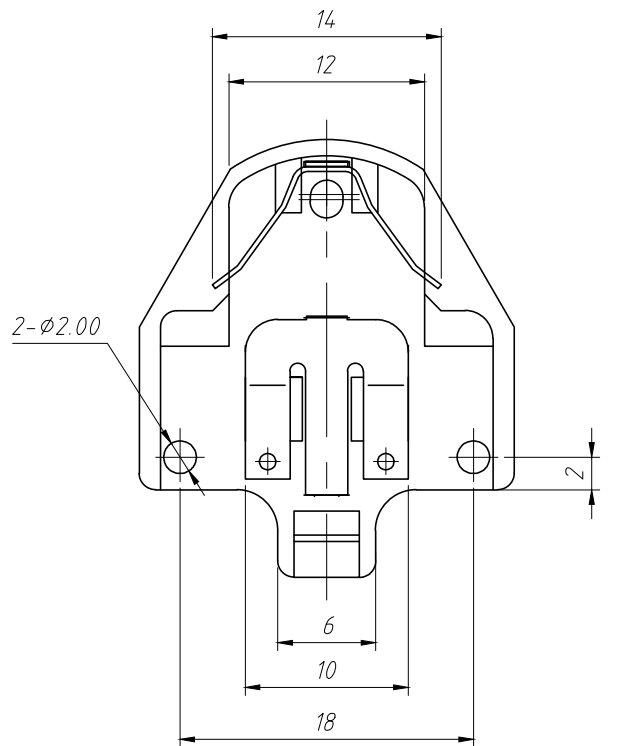
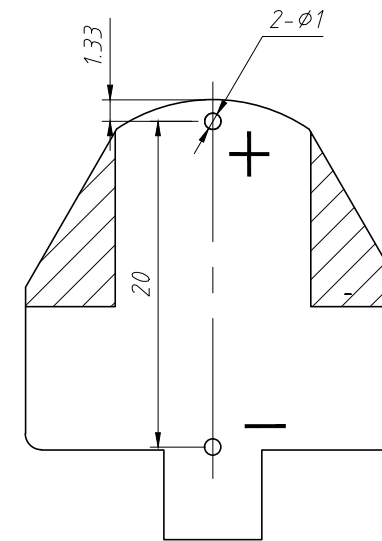


RoHS Compliance

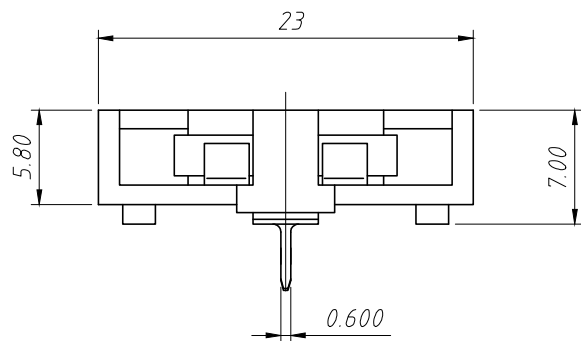


Material:
 Housing: Thermoplastic Glass Fibre
 Contact: Phosphor Black
 (Surface Plating: Ni100u") See Ordering Information

Contact Resistance: 30 Milliohms Max
 Insulation Resistance: 1000 Mega Ohms Min
 Dielectric Voltage: 500V Ac One Sec Level
 Operating Temperature: -25°C ~ +85°C



PCB Layout Diagram
 Top View



ANGLE TOLERANCE	PROJECTION	Description:		
±3°		CR2032 DIP COIN CELL RETAINERS		
GENERAL TOLERANCE	UNITS	mm	KLS P/N:	L-KLS5-CR2032-06
x.x ±0.30	SHEET SIZE	A4		
x.xx ±0.20	Draw:	Daniel	2023-02-27	NingBo KLS ELECTRONIC CO.,LTD.
x.xxx ±0.10	Check:	Daniel	2023-02-27	