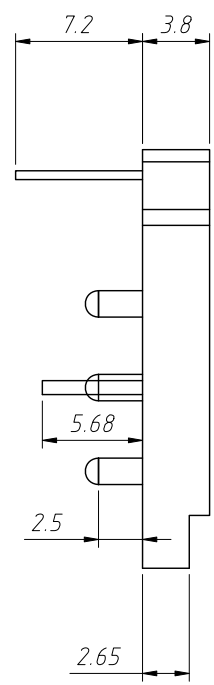
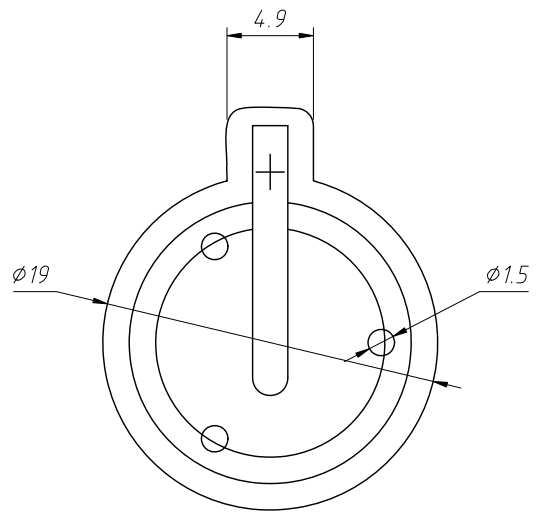
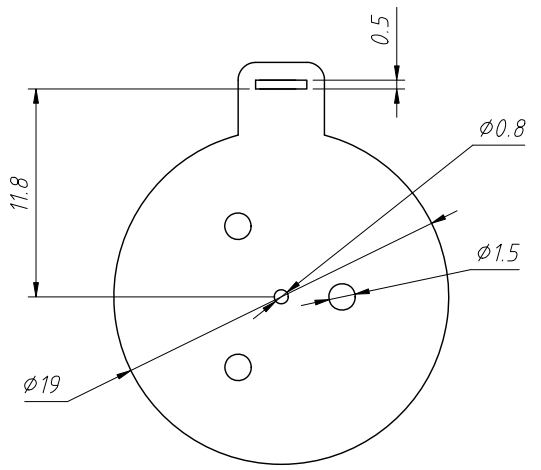


1
RoHS Compliance



Material:
Housing: Thermoplastic Glass Fibre, UL 94 V-0
Color: Black
Contact: Brass
Finish : Surface Plating: Sn100u"

Electrical Characteristics:
Contact Resistance: 30mΩ Max
Insulator Resistance: 1000MΩ Min
Dielectric Voltage: 750V AC One Sec Level
Operating Temperature: -55°C ~ + 85°C

Order Information:
L-KLS5-CR1620-03
L: RoHS
CR1620 Coin
Battery Holder
Part Number

ANGLE TOLERANCE	PROJECTION	Description:	CR1616 CR1620 DIP COIN CELL Holder, H3.85mm, Tin plated, Reel
±3°			
GENERAL TOLERANCE	UNITS	mm	KLS P/N: L-KLS5-CR1620-03
x.x ±0.30	SHEET SIZE	A4	
x.xx ±0.20	Draw:	Daniel	2022-03-01
x.xxx ±0.10	Check:	Daniel	2022-03-01

