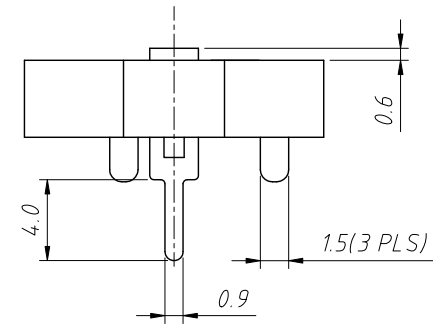
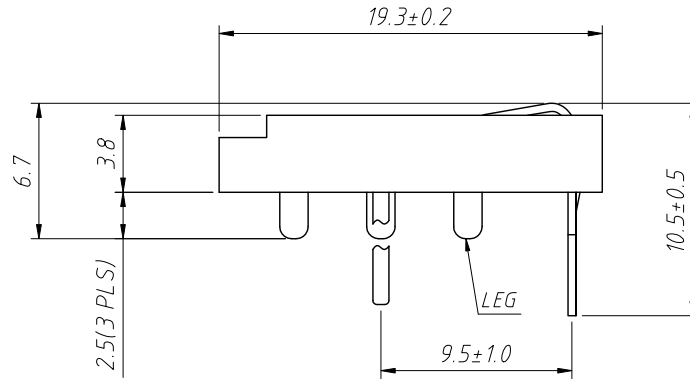
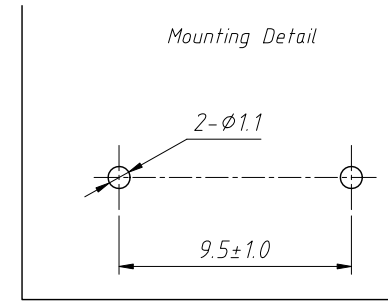
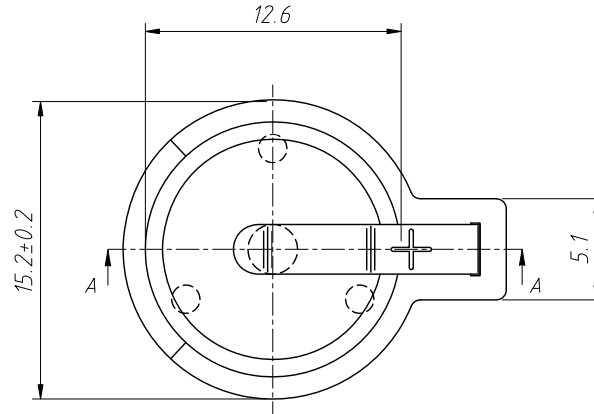
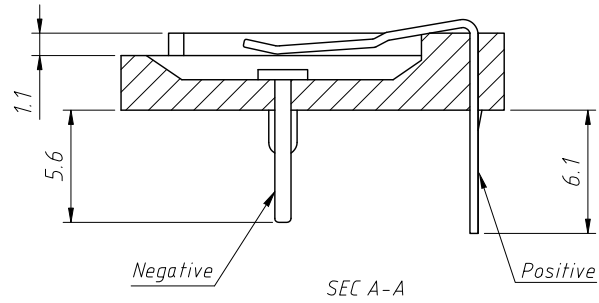


1 RoHS Compliance



Notes

1 BASE :

Material:Base Black PBT,UL94V-0

2 Top Contact

Material:0.4mm THK Spring Steel

Finish : Nickel PLATE

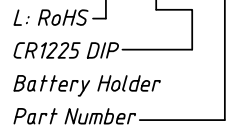
3 BOTTOM Contact

Material:0.9mm DIA . Steel

Finish : Nickel PLATE

Order Information:

L-KLS5-CR1225-01



ANGLE TOLERANCE	PROJECTION	Description:	CR1225 DIP COIN CELL RETAINERS, H6.7mm, Tin plated
±3°			
GENERAL TOLERANCE	UNITS	mm	KLS P/N: L-KLS5-CR1225-01
x.x ±0.30	SHEET SIZE	A4	
x.xx ±0.20	Draw:	Daniel	2022-03-01
x.xxx ±0.10	Check:	Daniel	2022-03-01



NingBo KLS ELECTRONIC CO.,L TD.