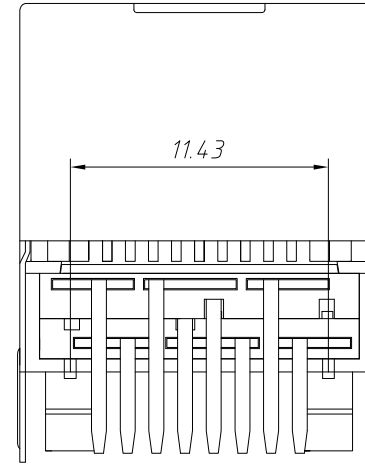
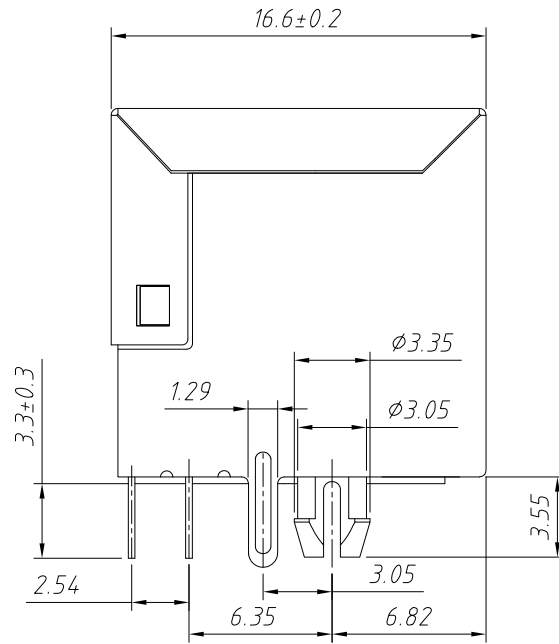
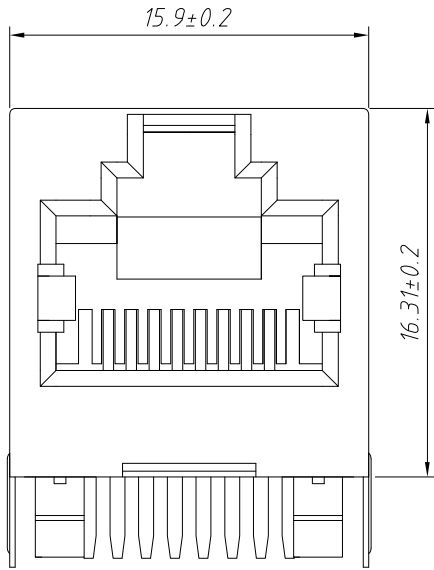
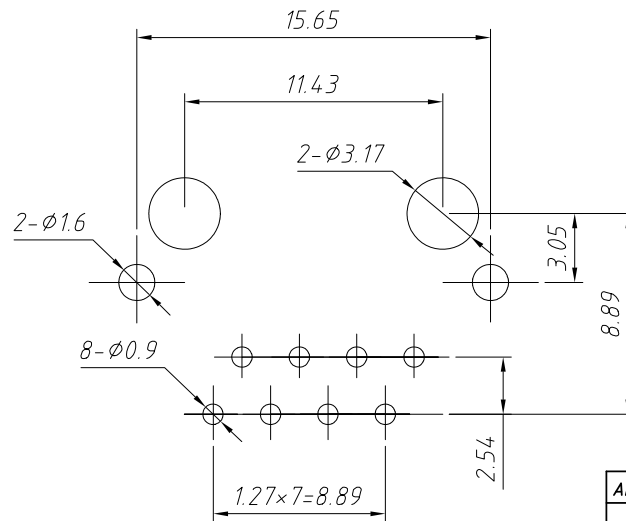
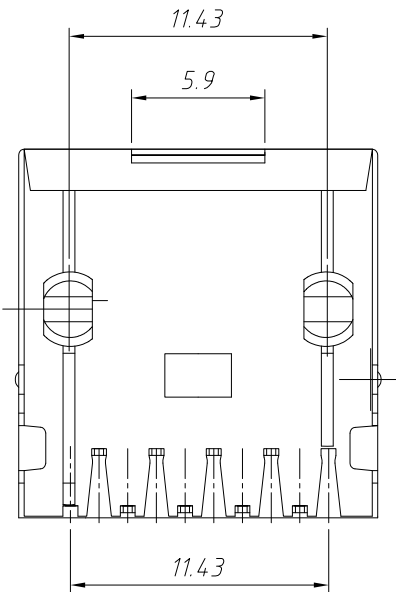


RoHS Compliance



Material:
 Housing: PBT+Glass Filled Polyester
 Flammability Rating: UL94V-0
 Contacts: Phosphor Bronze
 Plating: Gold Plating
 Shield: Brass, Tin Plating

Electrical:
 Voltage Rating: 125VAC
 Current Rating: 1.5A
 Contact Resistance: 30mΩ Max.
 Insulation Resistance: 500MΩ Min.
 Dielectric Strength: 1000VAC Rms 50Hz, 1 Min
 Durability: 600 cycles Min.
 Operation Temperature: -40°C ~ +70°C



PCB Layout

Order Information

L-KLS12-158R -8P8C- XX

RoHS _____
 Contacts: 8P8C _____
 Plating Code: _____
 01-Fu" Gold Plating
 02-3u" Gold Plating
 03-6u" Gold Plating
 04-15u" Gold Plating
 05-30u" Gold Plating

ANGLE TOLERANCE	PROJECTION	Description:	CAT6 RJ45-8P8C Modular Jacks With Shel	
±3°				
GENERAL TOLERANCE	UNITS	mm	KLS P/N:	L-KLS12-158R-8P8C-01
x.x ±0.30	SHEET SIZE	A4		
x.xx ±0.20	Draw:	Daniel	2023-02-23	NingBo KLS ELECTRONIC CO.,L TD.
x.xxx ±0.10	Check:	Daniel	2023-02-23	