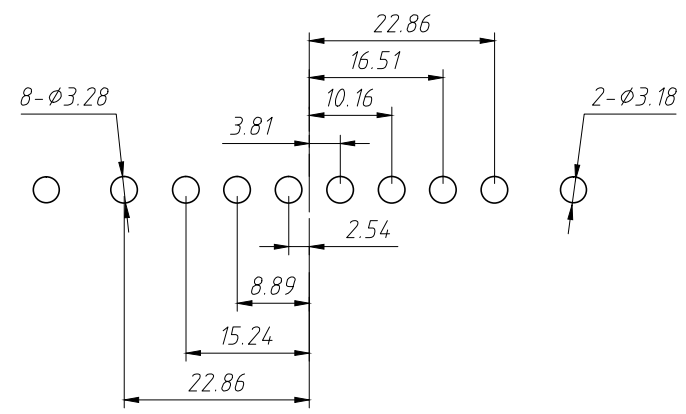
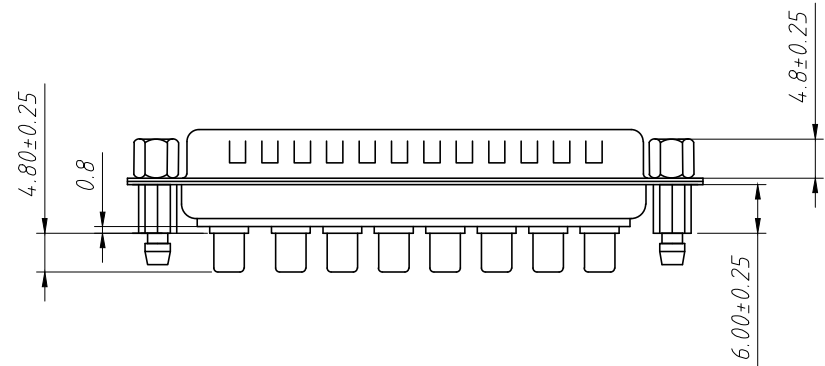
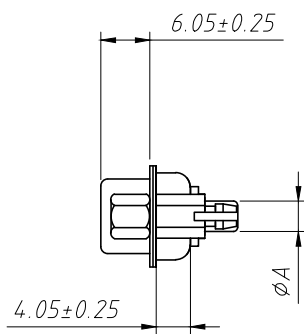
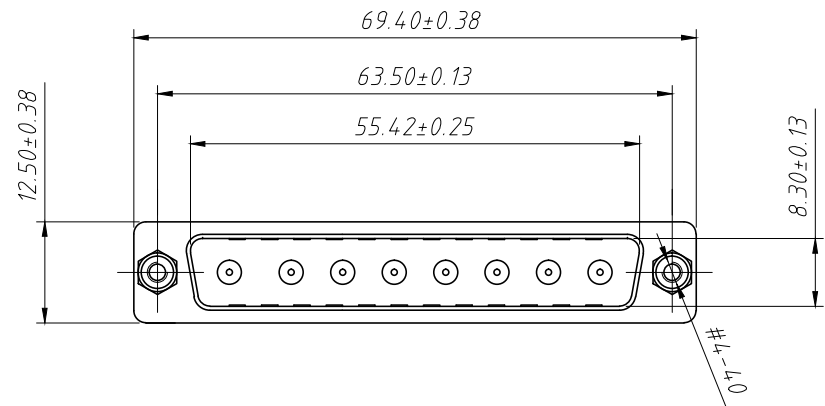


RoHS Compliance



PCB Layout

Notes:

Materials And Finish:  
 Shell: Steel Material, Front Shell Nickel Finished back  
 Shell Tin Finished  
 Insulator: PBT Thermo Plastic,  
 30% Glass Filled, UL 94v-0 Rated  
 Contact Material: Brass  
 Contact Finish: Full Gold Flash

Electrical Characteristics

Contact Current Rating : 10 ~ 40 Amps  
 Contact Resistance : 2.7 Milliohms Max  
 Dielectric Withstanding Voltage: 1000V AC Min  
 Insulation Resistance :5000 Megaohms Min  
 Temperature Rating: -55°C ~ +125°C

Current Rating	Dimension φA
40 AMPS	φ3.75
30 AMPS	φ3.2
20 AMPS	φ2.8
10 AMPS	φ1.7

Order Information:

L-KLS1-BIG06B-8W8-M-40A-1U-W-W

L: RoHS  
 PCB Type  
 No. of pin  
 M-Male  
 40A-Current Rating 40A  
 1U-Contact plating Gold 1u"  
 W-With Nuts  
 W-With Fixed post

ANGLE TOLERANCE	PROJECTION	Description:	D-Sub Connector, 8w8 Male Mounting Broad Type	
±3°				
GENERAL TOLERANCE	UNITS	mm	KLS P/N:	KLS1-BIG06B-8W8-M-40A-1U-W-W
x.x ±0.30	SHEET SIZE	A4	3:1	
x.xx ±0.20	Draw:	Daniel	2023-02-16	
x.xxx ±0.10	Check:	Daniel	2023-02-16	
			NingBo KLS ELECTRONIC CO.,LTD.	