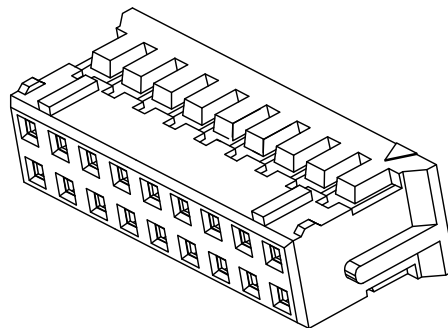
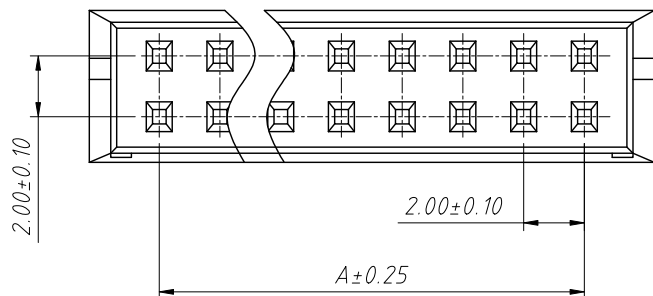
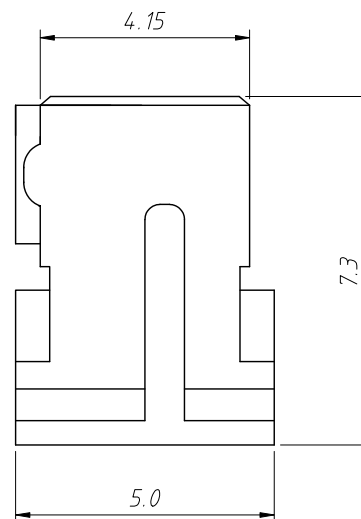
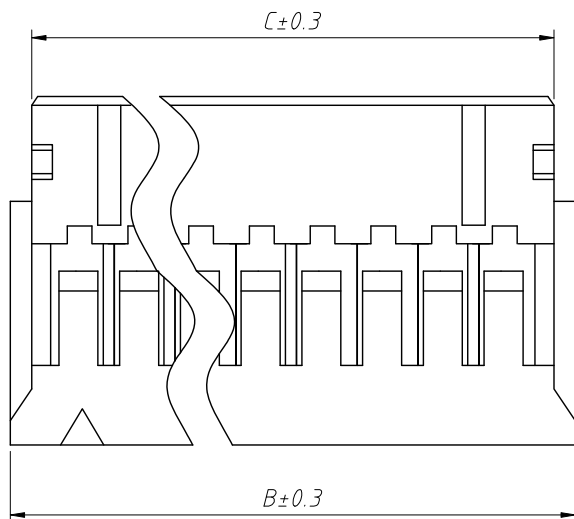


1 RoHS Compliance



Pin	Dimensions(mm)		
	A	B	C
2×02	2.00	6.00	4.40
2×03	4.00	8.00	6.40
2×04	6.00	10.00	8.40
2×05	8.00	12.00	10.40
2×06	10.00	14.00	12.40
2×07	12.00	16.00	14.40
2×08	14.00	18.00	16.40
2×09	16.00	20.00	18.40
2×10	18.00	22.00	20.40
2×11	20.00	24.00	22.40
2×12	22.00	26.00	24.40
2×13	24.00	28.00	26.40
2×14	26.00	30.00	28.40
2×15	28.00	32.00	30.40
2×16	30.00	34.00	32.40
2×17	32.00	36.00	34.40
2×18	34.00	38.00	36.40
2×19	36.00	40.00	38.40
2×20	38.00	42.00	40.40
2×21	40.00	44.00	42.40
2×22	42.00	46.00	44.40



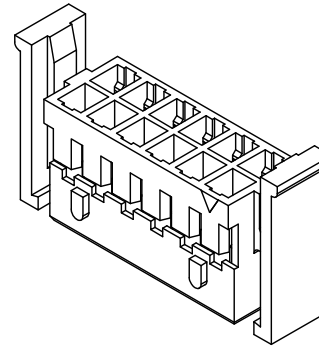
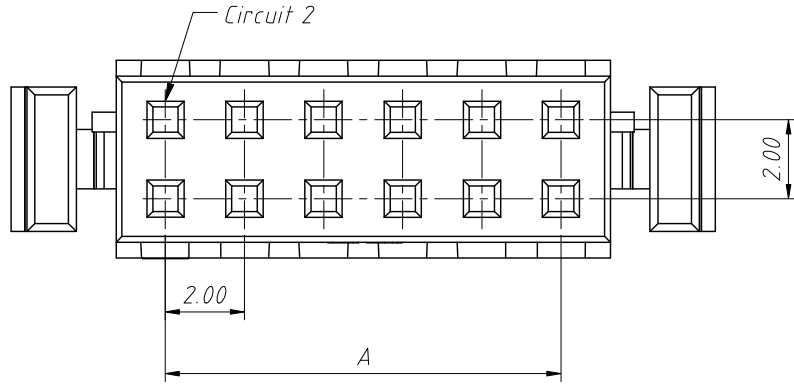
Order Information:
 L-KLS1-XA1-2.00-XX-H
 L: RoHS
 Pitch: 2.00mm
 XX-No. of 02 ~ 44 pins
 Type: T-Terminal
 H/H2/H3-Hosing
 S/S2/S3-Straight mate pin
 R/R2/R3-Right angle male pin
 VM-Vertical SMT Pin

Material:
 Housing: PA66, UL 94V-0
Electrical Characteristics:
 Rated Current: 3.0AMP
 Voltage rating: 250V AC, DC
 Temperature range: -25°C ~ +85°C
 Insulator Resistance: 1000MΩ Min
 Withstand Voltage: 800V AC/DC
 Contact Resistance: 20mΩ Max

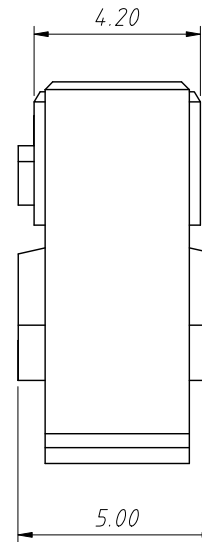
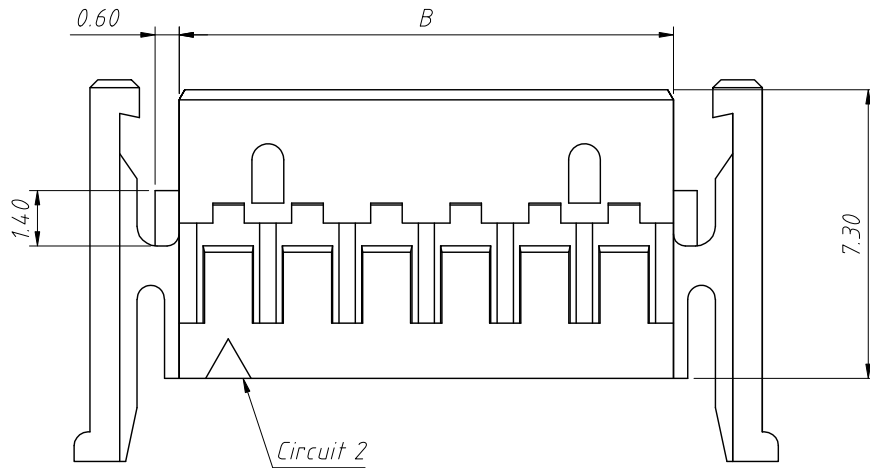
ANGLE TOLERANCE	PROJECTION		Description:
±3°			2.00mm Pitch PHD type Double Wire to Board Connector
GENERAL TOLERANCE	UNITS	mm	KLS P/N:
x.x ±0.30	SHEET SIZE	A4	L-KLS1-XA1-2.00-XX-H
x.xx ±0.20	Draw:	Daniel	2023-02-06
x.xxx ±0.10	Check:	Daniel	2023-02-06

NingBo KLS ELECTRONIC CO.,LTD.

RoHS Compliance



Pin	Dimensions(mm)	
	A	B
2x02	2.00	4.50
2x03	4.00	6.50
2x04	6.00	8.50
2x05	8.00	10.50
2x06	10.00	12.50
2x07	12.00	14.50
2x08	14.00	16.50
2x09	16.00	18.50
2x10	18.00	20.50
2x11	20.00	22.50
2x12	22.00	24.50
2x13	24.00	26.50
2x14	26.00	28.50
2x15	28.00	30.50
2x16	30.00	32.50
2x17	32.00	34.50
2x18	34.00	36.50
2x19	36.00	38.50
2x20	38.00	40.50



Material:
Housing: PA66, UL 94V-0, Color: White
Electrical Characteristics:
Rated Current: 3.0AMP
Voltage rating: 250V AC, DC
Temperature range: -25°C ~ +85°C
Insulator Resistance: 1000MΩ Min
Withstand Voltage: 800V AC/DC
Contact Resistance: 20mΩ Max

Order Information:
L-KLS1-XA1-2.00-XX-H2

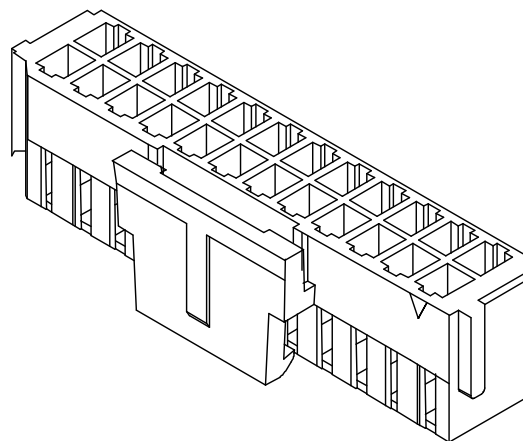
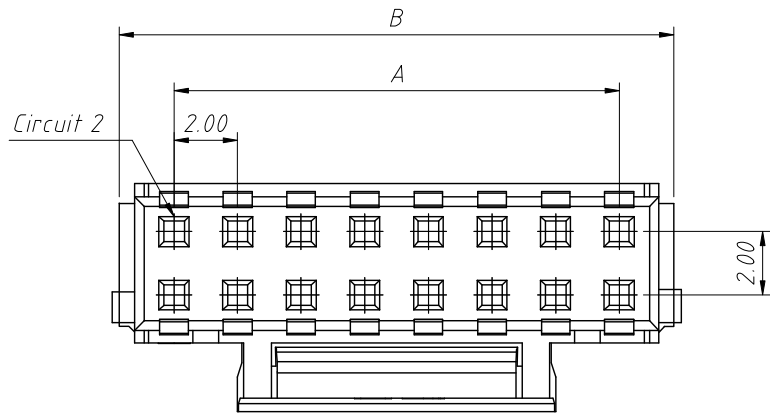
L: RoHS
Pitch: 2.00mm
XX-No. of 02 ~ 40 pins
Type: T-Terminal
H/H2/H3-Hosing
S/S2/S3-Straight male pin
R/R2/R3-Right angle male pin
VM-Vertical SMT Pin

ANGLE TOLERANCE	PROJECTION	Description:	2.00mm Pitch PHD type Double Wire to Board Connector
±3°			
GENERAL TOLERANCE	UNITS	mm	KLS P/N:
x.x ±0.30	SHEET SIZE	A4	L-KLS1-XA1-2.00-XX-H2
x.xx ±0.20	Draw:	Daniel	2023-02-06
x.xxx ±0.10	Check:	Daniel	2023-02-06

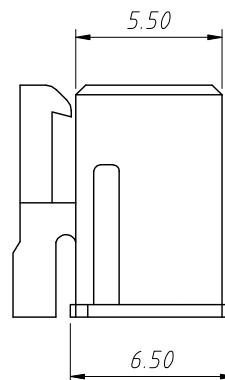
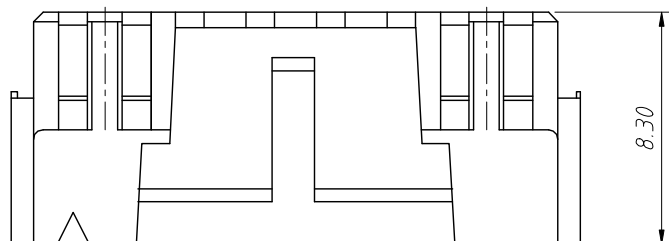


NingBo KLS ELECTRONIC CO.,LTD.

1 RoHS Compliance



Pin	Dimensions(mm)	
	A	B
2×04	6.00	9.90
2×05	8.00	11.90
2×06	10.00	13.90
2×07	12.00	15.90
2×08	14.00	17.90
2×09	16.00	19.90
2×10	18.00	21.90
2×11	20.00	23.90
2×12	22.00	25.90
2×13	24.00	27.90
2×14	26.00	29.90
2×15	28.00	31.90
2×16	30.00	33.90
2×17	32.00	35.90
2×18	34.00	37.90
2×19	36.00	39.90
2×20	38.00	41.90



Order Information:
 L-KLS1-XA1-2.00-XX-H3

L: RoHS
 Pitch: 2.00mm
 XX-No. of 08 ~ 40 pins
 Type: T-Terminal
 H/H2/H3-Hosing
 S/S2/S3-Straight male pin
 R/R2/R3-Right angle male pin
 VM-Vertical SMT Pin

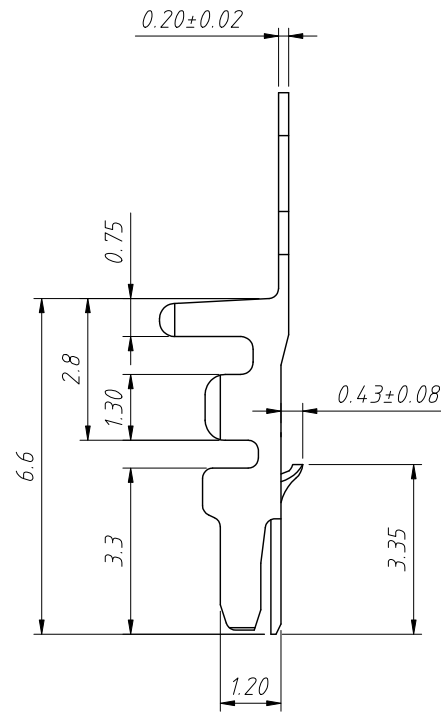
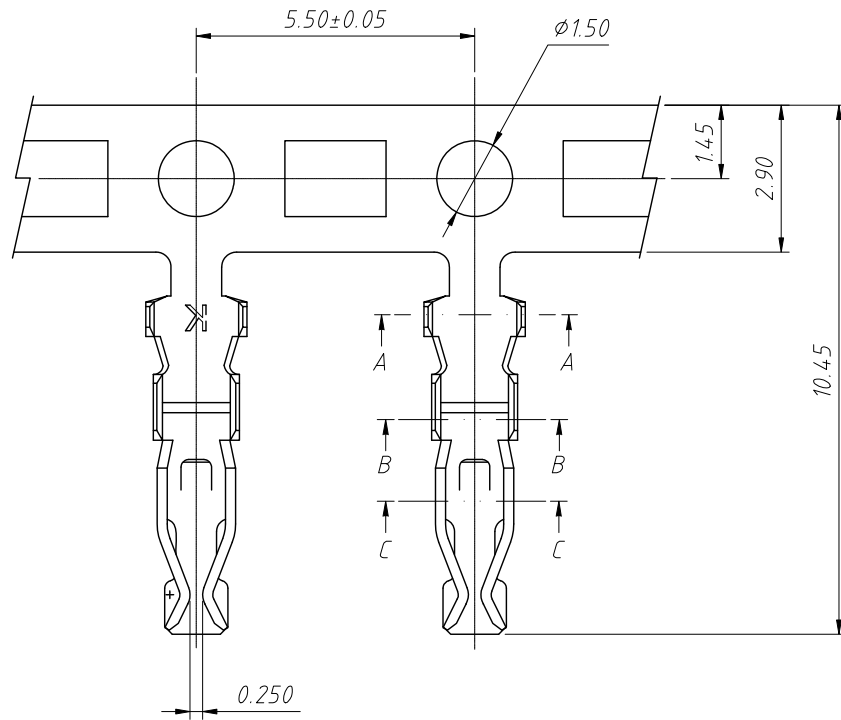
Material:
 Housing: PA66, UL 94 V-0, Color: Natural
 Electrical Characteristics:
 Rated Current: 3.0AMP
 Voltage rating: 250V AC, DC
 Temperature range: -25°C ~ +85°C
 Insulator Resistance: 1000MΩ Min
 Withstand Voltage: 800V AC/DC
 Contact Resistance: 20mΩ Max

ANGLE TOLERANCE	PROJECTION	Description:	2.00mm Pitch PHD type Double Wire to Board Connector
±3°			
GENERAL TOLERANCE	UNITS	mm	KLS P/N: L-KLS1-XA1-2.00-XX-H3
x.x ±0.30	SHEET SIZE	A4	
x.xx ±0.20	Draw:	Daniel	2023-02-06
x.xxx ±0.10	Check:	Daniel	2023-02-06



NingBo KLS ELECTRONIC CO., L TD.

RoHS Compliance

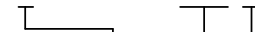


Material:
 Terminal: Phosphor Bronze
 Plating: Tin plated
 Applicable wires: AWG #24 ~ #28
 Insulation O.D.: 0.90-1.40mm Max
 Qty/reel: 10000 pcs

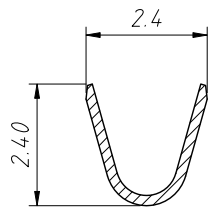
Electrical Characteristics:
 Rated Current: 3.0AMP
 Voltage rating: 250V AC, DC
 Temperature range: -25°C ~ +85°C
 Insulator Resistance: 1000MΩ Min
 Withstand Voltage: 800V AC/DC
 Contact Resistance: 20mΩ Max

Order Information:

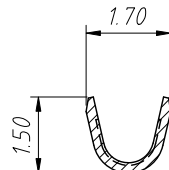
L-KLS1-XA1-2.00-T



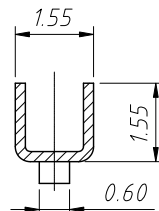
L: RoHS
 Pitch: 2.00mm
 Type: T-Terminal
 H/H2/H3-Hosing
 S/S2/S3-Straight male pin
 R/R2/R3-Right angle male pin
 VM-Vertical SMT Pin



A-A



B-B



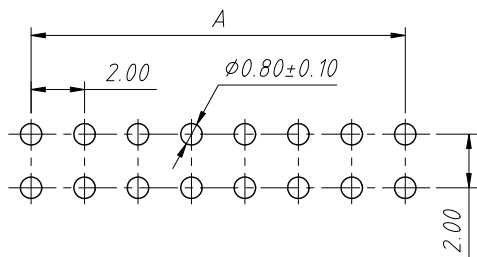
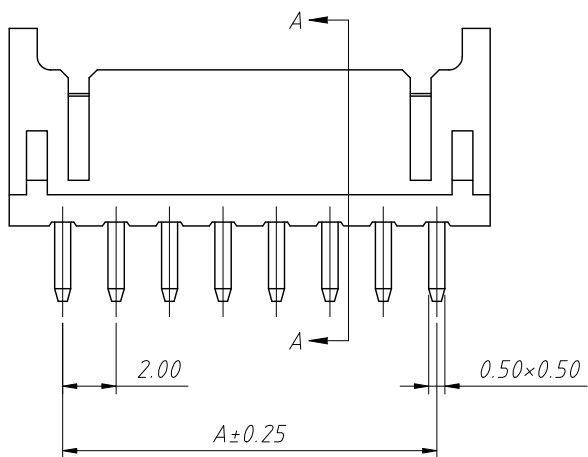
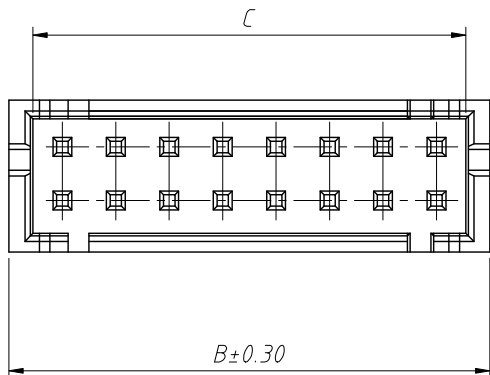
C-C

ANGLE TOLERANCE	PROJECTION	Description:	2.00mm Pitch PHD type Double Wire to Board Connector
±3°			
GENERAL TOLERANCE	UNITS	mm	KLS P/N: L-KLS1-XA1-2.00-T
x.x ±0.30	SHEET SIZE	A4	
x.xx ±0.20	Draw:	Daniel	2023-02-06
x.xxx ±0.10	Check:	Daniel	2023-02-06

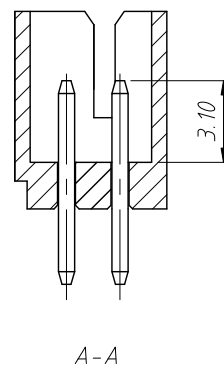
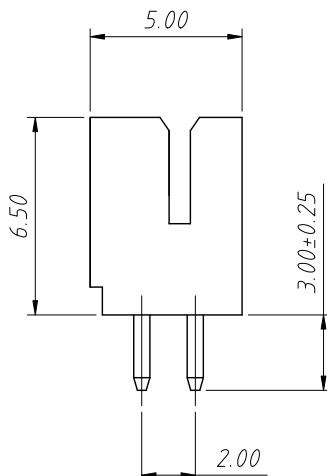


NingBo KLS ELECTRONIC CO.,LTD.

1 RoHS Compliance



Recommended PCB Layout



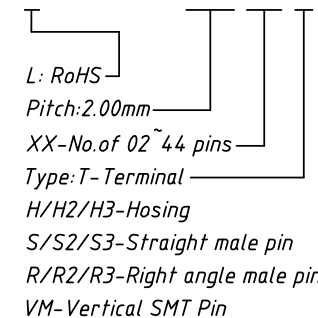
Material:
 Housing:PA66,UL94V-0
 Contact:Brass
 Plating:Tin Plated

Electrical Characteristics:
 Rated Current:3.0AMP
 Voltage rating:250V AC,DC
 Temperature range:-25°C ~ +85°C
 Insulator Resistance:1000MΩ Min
 Withstand Voltage:800V AC/DC
 Contact Resistance:20mΩ Max

Pin	Dimensions(mm)		
	A	B	C
2×02	2.00	6.00	4.80
2×03	4.00	8.00	6.80
2×04	6.00	10.00	8.80
2×05	8.00	12.00	10.80
2×06	10.00	14.00	12.80
2×07	12.00	16.00	14.80
2×08	14.00	18.00	16.80
2×09	16.00	20.00	18.80
2×10	18.00	22.00	20.80
2×11	20.00	24.00	22.80
2×12	22.00	26.00	24.80
2×13	24.00	28.00	26.80
2×14	26.00	30.00	28.80
2×15	28.00	32.00	30.80
2×16	30.00	34.00	32.80
2×17	32.00	36.00	34.80
2×18	34.00	38.00	36.80
2×19	36.00	40.00	38.80
2×20	38.00	42.00	40.80

Order Information:

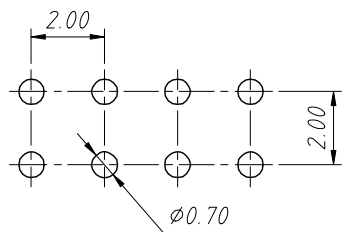
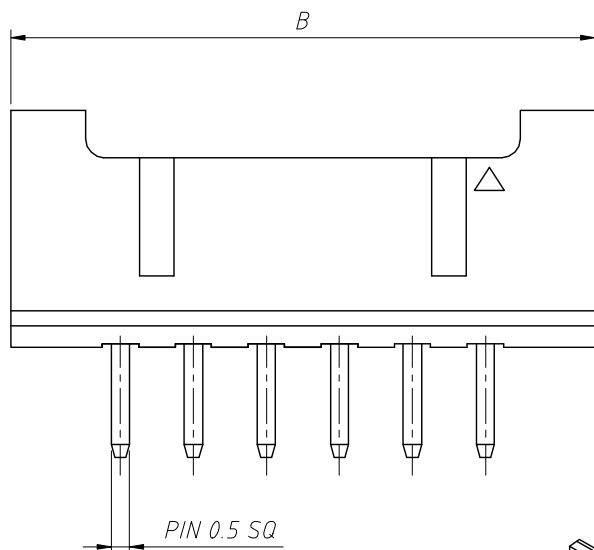
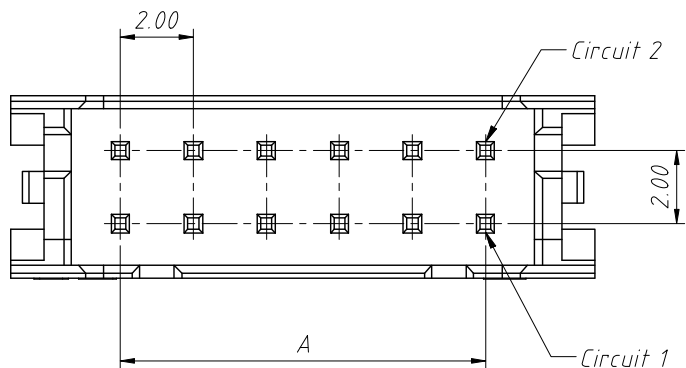
L-KLS1-XA1-2.00-XX-S



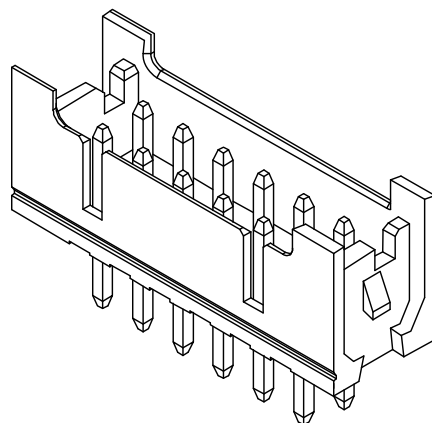
ANGLE TOLERANCE	PROJECTION	Description:
±3°		2.00mm Pitch PHD type Double Wire to Board Connector
GENERAL TOLERANCE	UNITS	mm
x.x ±0.30	SHEET SIZE	A4
x.xx ±0.20	Draw:	Daniel 2023-02-06
x.xxx ±0.10	Check:	Daniel 2023-02-06

KLS NingBo KLS ELECTRONIC CO.,L TD.

RoHS Compliance

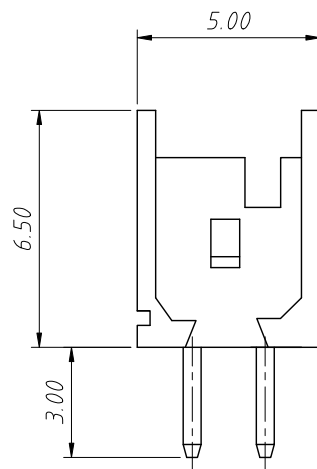


Recommended PCB Layout



Material:
Housing:PA66,UL94V-0
Contact:Brass
Plating:Tin Plated

Electrical Characteristics:
Rated Current:3.0AMP
Voltage rating:250V AC,DC
Temperature range:-25°C ~ + 85°C
Insulator Resistance:1000M Ω Min
Withstand Voltage:800V AC/DC
Contact Resistance:20m Ω Max



Pin	Dimensions(mm)	
	A	B
2×02	2.00	8.00
2×03	4.00	10.00
2×04	6.00	12.00
2×05	8.00	14.00
2×06	10.00	16.00
2×07	12.00	18.00
2×08	14.00	20.00
2×09	16.00	22.00
2×10	18.00	24.00
2×11	20.00	26.00
2×12	22.00	28.00
2×13	24.00	30.00
2×14	26.00	32.00
2×15	28.00	34.00
2×16	30.00	36.00
2×17	32.00	38.00
2×18	34.00	40.00
2×19	36.00	42.00
2×20	38.00	44.00

Order Information:

L-KLS1-XA1-2.00-XX-S2

L: RoHS

Pitch:2.00mm

XX-No.of 02~40 pins

Type:T-Terminal

H/H2/H3-Hosing

S/S2/S3-Straight mate pin

R/R2/R3-Right angle mate pin

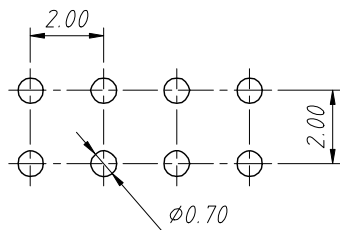
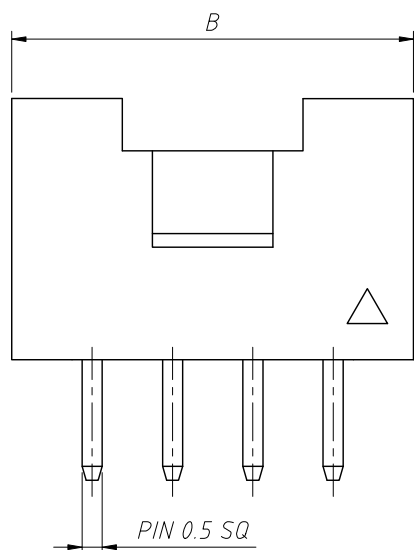
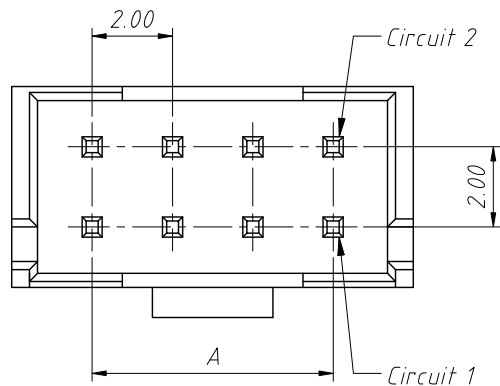
VM-Vertical SMT Pin

ANGLE TOLERANCE	PROJECTION	Description:
$\pm 3^\circ$		2.00mm Pitch PHD type Double Wire to Board Connector
GENERAL TOLERANCE	UNITS	mm
x.x	± 0.30	SHEET SIZE
x.xx	± 0.20	Draw:
x.xxx	± 0.10	Check:
KLS P/N:		L-KLS1-XA1-2.00-XX-S2
2023-02-06		Daniel
2023-02-06		Daniel

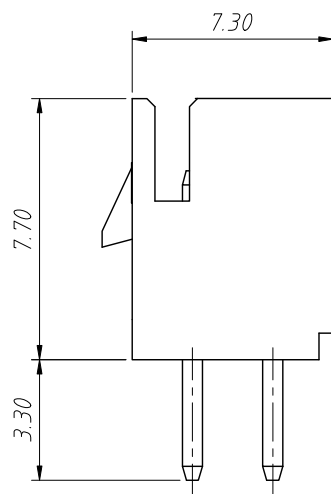


NingBo KLS ELECTRONIC CO.,LTD.

RoHS Compliance



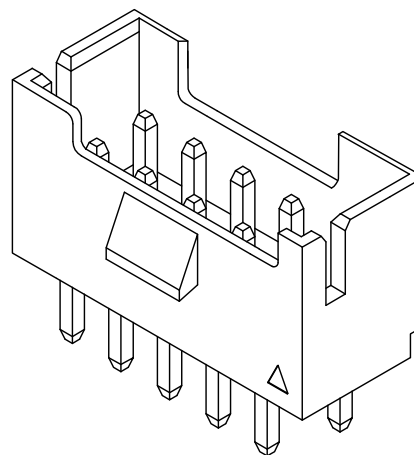
Recommended PCB Layout



Material:
Housing: PA46, UL 94 V-0
Contact: Brass
Plating: Tin Plated

Electrical Characteristics:
Rated Current: 3.0AMP
Voltage rating: 250V AC, DC
Temperature range: $-25^{\circ}\text{C} \sim +85^{\circ}\text{C}$
Insulator Resistance: $1000\text{M}\Omega$ Min
Withstand Voltage: 800V AC/DC
Contact Resistance: $20\text{m}\Omega$ Max

Pin	Dimensions(mm)	
	A	B
2x02	2.00	6.00
2x03	4.00	8.00
2x04	6.00	10.00
2x05	8.00	12.00
2x06	10.00	14.00
2x07	12.00	16.00
2x08	14.00	18.00
2x09	16.00	20.00
2x10	18.00	22.00
2x11	20.00	24.00
2x12	22.00	26.00
2x13	24.00	28.00
2x14	26.00	30.00
2x15	28.00	32.00
2x16	30.00	34.00
2x17	32.00	36.00
2x18	34.00	38.00
2x19	36.00	40.00
2x20	38.00	42.00



Order Information:

L-KLS1-XA1-2.00-XX-S3

L: RoHS

Pitch: 2.00mm

XX-No. of 08 ~ 40 pins

Type: T - Terminal

H/H2/H3 - Hosing

S/S2/S3 - Straight male pin

R/R2/R3 - Right angle male pin

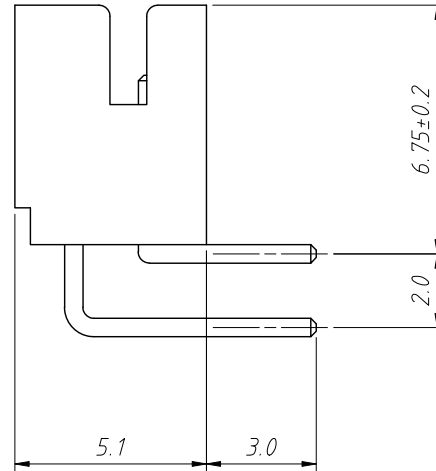
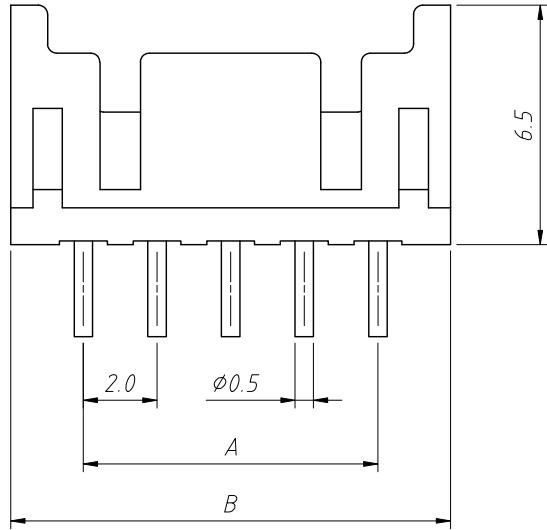
VM - Vertical SMT Pin

ANGLE TOLERANCE	PROJECTION	Description:
$\pm 3^{\circ}$		2.00mm Pitch PHD type Double Wire to Board Connector
GENERAL TOLERANCE	UNITS	mm
x.x ± 0.30	SHEET SIZE	A4
x.xx ± 0.20	Draw:	Daniel 2023-02-06
x.xxx ± 0.10	Check:	Daniel 2023-02-06

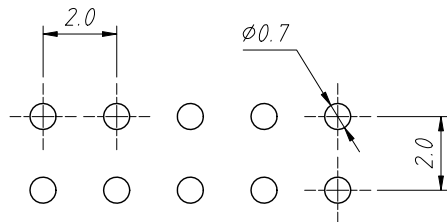
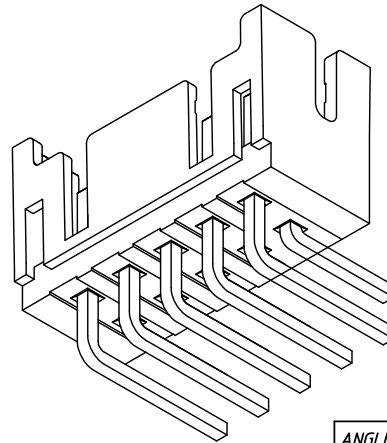
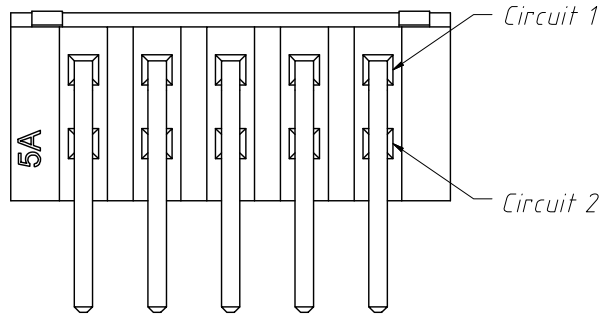


NingBo KLS ELECTRONIC CO., L TD.

RoHS Compliance



Pin	Dimensions(mm)	
	A	B
2×02	2.00	6.00
2×03	4.00	8.00
2×04	6.00	10.00
2×05	8.00	12.00
2×06	10.00	14.00
2×07	12.00	16.00
2×08	14.00	18.00
2×09	16.00	20.00
2×10	18.00	22.00
2×11	20.00	24.00
2×12	22.00	26.00
2×13	24.00	28.00
2×14	26.00	30.00
2×15	28.00	32.00
2×16	30.00	34.00
2×17	32.00	36.00
2×18	34.00	38.00
2×19	36.00	40.00
2×20	38.00	42.00



Recommended PCB Layout

Material:
Housing: PA66, UL 94 V-0
Contact: Brass
Plating: Tin Plated

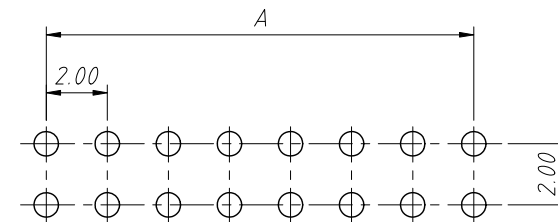
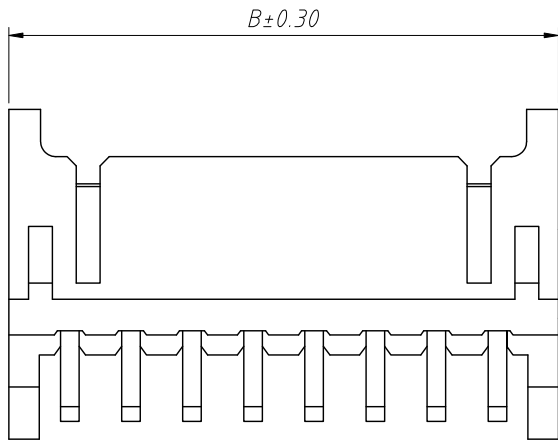
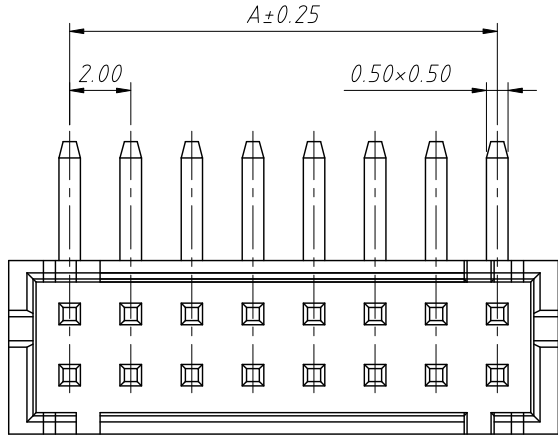
Electrical Characteristics:
Rated Current: 3.0 AMP
Voltage rating: 250V AC, DC
Temperature range: -25°C ~ +85°C
Insulator Resistance: 1000MΩ Min
Withstand Voltage: 800V AC/DC
Contact Resistance: 10mΩ Max

Order Information:
L-KLS1-XA1-2.00-XX-R

L: RoHS
Pitch: 2.00mm
XX-No. of 04 ~ 40 pins
Type: T-Terminal
H/H2/H3-Hosing
S/S2/S3-Straight male pin
R/RD/R2/R3-Right angle male pin
VM-Vertical SMT Pin

ANGLE TOLERANCE	PROJECTION	Description:	2.00mm Pitch PHD type Double Wire to Board Connector	
±3°				
GENERAL TOLERANCE	UNITS	mm	KLS P/N:	L-KLS1-XA1-2.00-XX-R
x.x ±0.30	SHEET SIZE	A4		
x.xx ±0.20	Draw:	Daniel	2023-02-06	NingBo KLS ELECTRONIC CO.,L TD.
x.xxx ±0.10	Check:	Daniel	2023-02-06	

RoHS Compliance

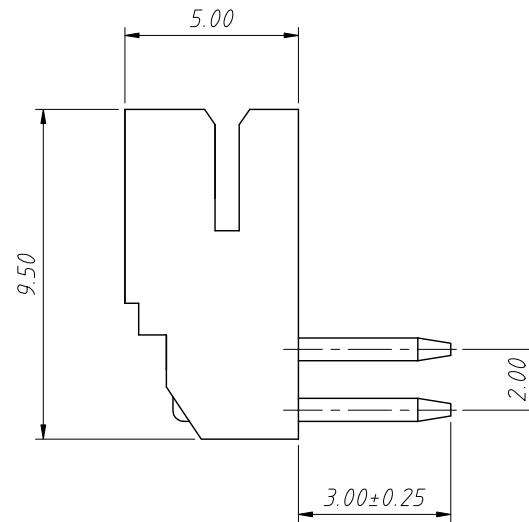


Recommended PCB Layout

Material:
Housing: PA66, UL 94 V-0
Contact: Brass
Plating: Tin Plated

Electrical Characteristics:
Rated Current: 3.0AMP
Voltage rating: 250V AC, DC
Temperature range: -25°C ~ +85°C
Insulator Resistance: 1000MΩ Min
Withstand Voltage: 800V AC/DC
Contact Resistance: 20mΩ Max

Pin	Dimensions(mm)	
	A	B
2×02	2.00	6.00
2×03	4.00	8.00
2×04	6.00	10.00
2×05	8.00	12.00
2×06	10.00	14.00
2×07	12.00	16.00
2×08	14.00	18.00
2×09	16.00	20.00
2×10	18.00	22.00
2×11	20.00	24.00
2×12	22.00	26.00
2×13	24.00	28.00
2×14	26.00	30.00
2×15	28.00	32.00
2×16	30.00	34.00
2×17	32.00	36.00
2×18	34.00	38.00
2×19	36.00	40.00
2×20	38.00	42.00



Order Information:

L-KLS1-XA1-2.00-XX-RD

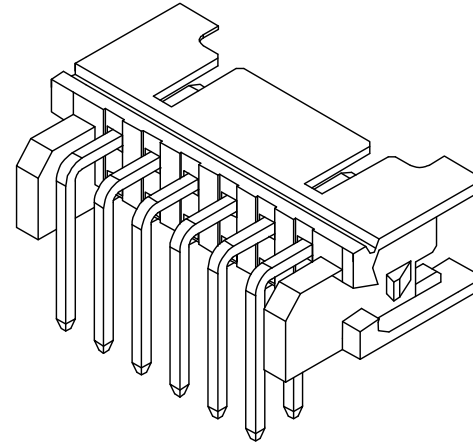
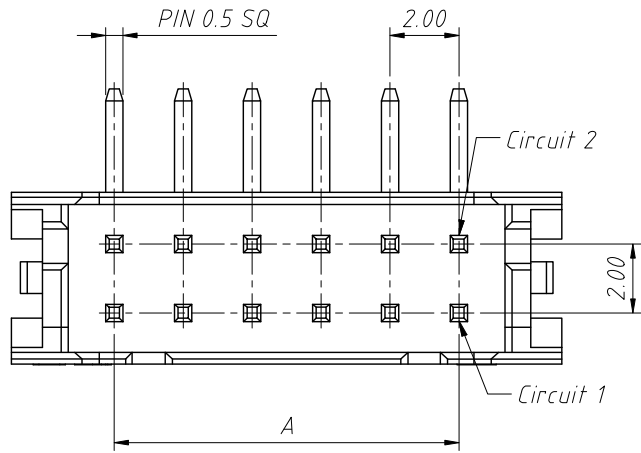
- L: RoHS
- Pitch: 2.00mm
- XX-No. of 02 ~ 44 pins
- Type: T-Terminal
- H/H2/H3-Hosing
- S/S2/S3-Straight male pin
- R/RD/R2/R3-Right angle male pin
- VM-Vertical SMT Pin

ANGLE TOLERANCE	PROJECTION	Description:	2.00mm Pitch PHD type Double Wire to Board Connector
±3°			
GENERAL TOLERANCE	UNITS	mm	KLS P/N:
x.x ±0.30	SHEET SIZE	A4	L-KLS1-XA1-2.00-XX-RD
x.xx ±0.20	Draw:	Daniel	2023-02-06
x.xxx ±0.10	Check:	Daniel	2023-02-06

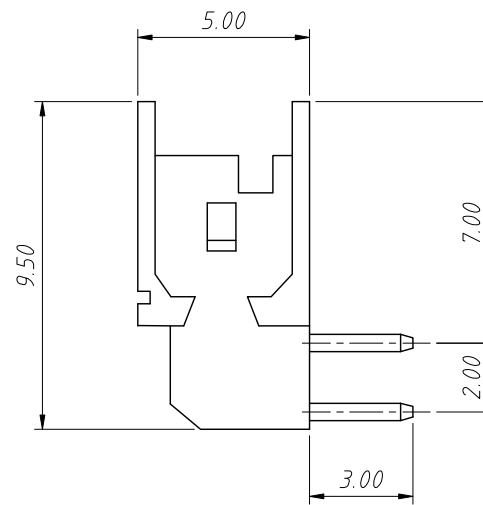
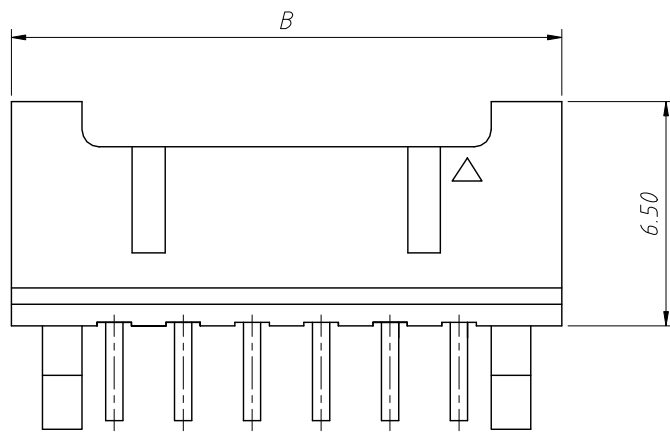


NingBo KLS ELECTRONIC CO.,LTD.

1 RoHS Compliance



Pin	Dimensions(mm)	
	A	B
2×02	2.00	8.00
2×03	4.00	10.00
2×04	6.00	12.00
2×05	8.00	14.00
2×06	10.00	16.00
2×07	12.00	18.00
2×08	14.00	20.00
2×09	16.00	22.00
2×10	18.00	24.00
2×11	20.00	26.00
2×12	22.00	28.00
2×13	24.00	30.00
2×14	26.00	32.00
2×15	28.00	34.00
2×16	30.00	36.00
2×17	32.00	38.00
2×18	34.00	40.00
2×19	36.00	42.00
2×20	38.00	44.00



Order Information:

L-KLS1-XA1-2.00-XX-R2

L: RoHS

Pitch:2.00mm

XX-No.of 02~40 pins

Type:T-Terminal

H/H2/H3-Hosing

S/S2/S3-Straight male pin

R/RD/R2/R3-Right angle male pin

VM-Vertical SMT Pin

Material:

Housing:PA9T,UL94V-0

Contact:Brass

Plating: Tin Plated

Electrical Characteristics:

Rated Current:3.0AMP

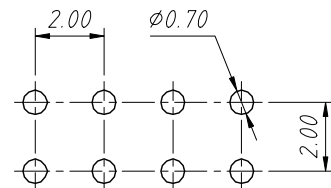
Voltage rating:250V AC,DC

Temperature range:-25°C~+85°C

Insulator Resistance:1000MΩ Min

Withstand Voltage:800V AC/DC

Contact Resistance:20mΩ Max



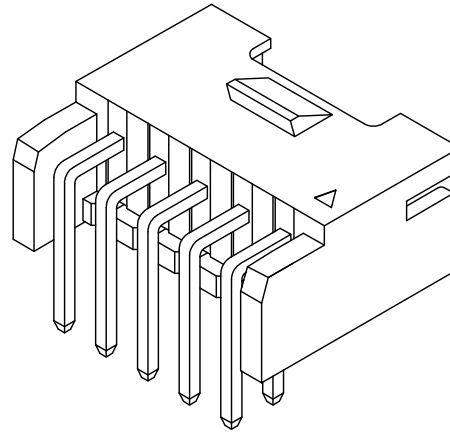
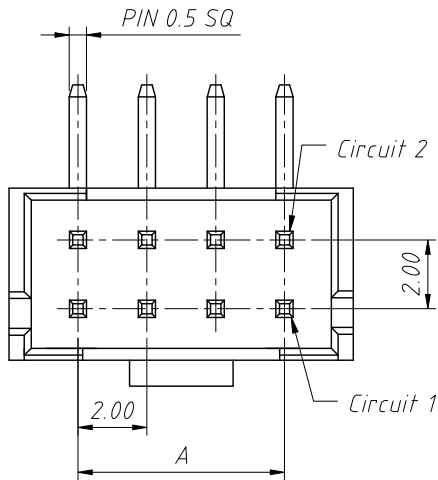
Recommended PCB Layout

ANGLE TOLERANCE	PROJECTION	Description:
±3°		2.00mm Pitch PHD type Double Wire to Board Connector
GENERAL TOLERANCE	UNITS	mm
x.x ±0.30	SHEET SIZE	A4
x.xx ±0.20	Draw:	Daniel 2023-02-06
x.xxx ±0.10	Check:	Daniel 2023-02-06

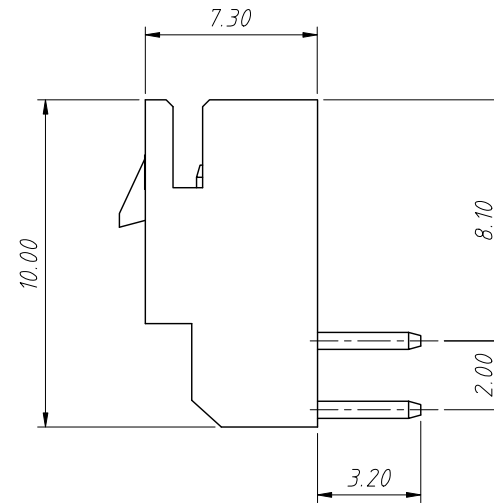
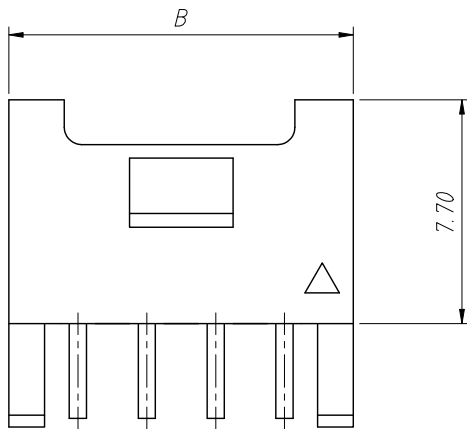


NingBo KLS ELECTRONIC CO.,L TD.

1 RoHS Compliance



Pin	Dimensions (mm)	
	A	B
2x02	2.00	6.00
2x03	4.00	8.00
2x04	6.00	10.00
2x05	8.00	12.00
2x06	10.00	14.00
2x07	12.00	16.00
2x08	14.00	18.00
2x09	16.00	20.00
2x10	18.00	22.00
2x11	20.00	24.00
2x12	22.00	26.00
2x13	24.00	28.00
2x14	26.00	30.00
2x15	28.00	32.00
2x16	30.00	34.00
2x17	32.00	36.00
2x18	34.00	38.00
2x19	36.00	40.00
2x20	38.00	42.00



Order Information:

L-KLS1-XA1-2.00-XX-R3

L: RoHS

Pitch: 2.00mm

XX-No. of 08 ~ 40 pins

Type: T-Terminal

H/H2/H3-Hosing

S/S2/S3-Straight male pin

R/RD/R2/R3-Right angle male pin

VM-Vertical SMT Pin

Material:

Housing: PA46, UL94V-0

Contact: Brass

Plating: Tin Plated

Electrical Characteristics:

Rated Current: 3.0AMP

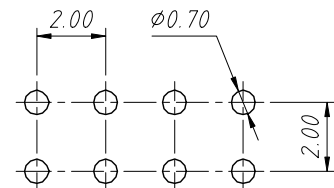
Voltage rating: 250V AC, DC

Temperature range: -25°C ~ +85°C

Insulator Resistance: 1000MΩ Min

Withstand Voltage: 800V AC/DC

Contact Resistance: 20mΩ Max



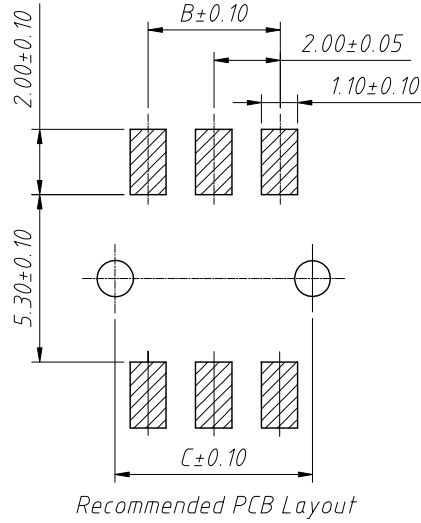
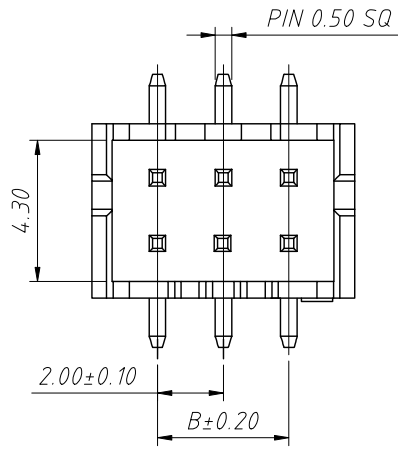
Recommended PCB Layout

ANGLE TOLERANCE	PROJECTION	Description:
±3°		2.00mm Pitch PHD type Double Wire to Board Connector
GENERAL TOLERANCE	UNITS	mm
x.x ±0.30	SHEET SIZE	A4
x.xx ±0.20	Draw:	Daniel 2023-02-06
x.xxx ±0.10	Check:	Daniel 2023-02-06



NingBo KLS ELECTRONIC CO.,L.TD.

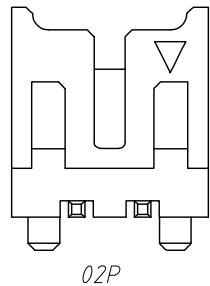
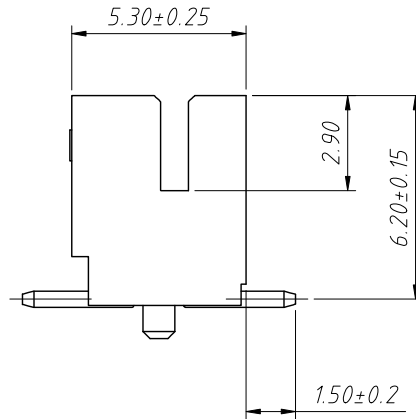
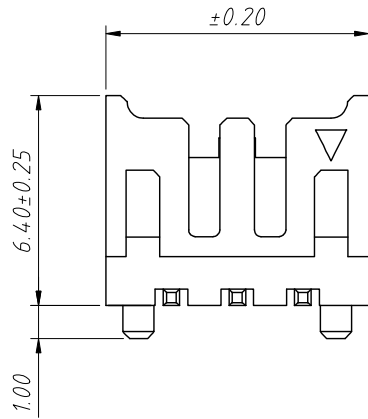
RoHS Compliance



Material:
 Insulator: PA9T, UL94V-0
 Contact: Brass
 Plating: Tin plated

Electrical Characteristics:
 Rated Current: 3.0AMP
 Voltage rating: 250V AC, DC
 Temperature range: -25°C ~ +85°C
 Insulator Resistance: 1000MΩ Min
 Withstand Voltage: 800V AC/DC
 Contact Resistance: 20mΩ Max

Pin	Dimensions(mm)		
	A	B	C
2×02	6.00	2.00	4.00
2×03	8.00	4.00	6.00
2×04	10.00	6.00	8.00
2×05	12.00	8.00	10.00
2×06	14.00	10.00	12.00
2×07	16.00	12.00	14.00
2×08	18.00	14.00	16.00
2×09	20.00	16.00	18.00
2×10	22.00	18.00	20.00
2×11	24.00	20.00	22.00
2×12	26.00	22.00	24.00
2×13	28.00	24.00	26.00
2×14	30.00	26.00	28.00
2×15	32.00	28.00	30.00
2×16	34.00	30.00	32.00
2×17	36.00	32.00	34.00
2×18	38.00	34.00	36.00
2×19	40.00	36.00	38.00
2×20	42.00	38.00	40.00



Order Information:

L-KLS1-XA1-2.00-XX-VM

L: RoHS

Pitch: 2.00mm

XX-No. of 02 ~ 40 pins

Type: T-Terminal

H/H2/H3-Hosing

S/S2/S3-Straight male pin

R/R2/R3-Right angle male pin

VM-Vertical SMT Pin

ANGLE TOLERANCE	PROJECTION	Description:	2.00mm Pitch PHD type Double Wire to Board Connector
±3°			
GENERAL TOLERANCE	UNITS	mm	KLS P/N:
x.x ±0.30	SHEET SIZE	A4	L-KLS1-XA1-2.00-XX-VM
x.xx ±0.20	Draw:	Daniel	2023-02-06
x.xxx ±0.10	Check:	Daniel	2023-02-06



NingBo KLS ELECTRONIC CO.,LTD.