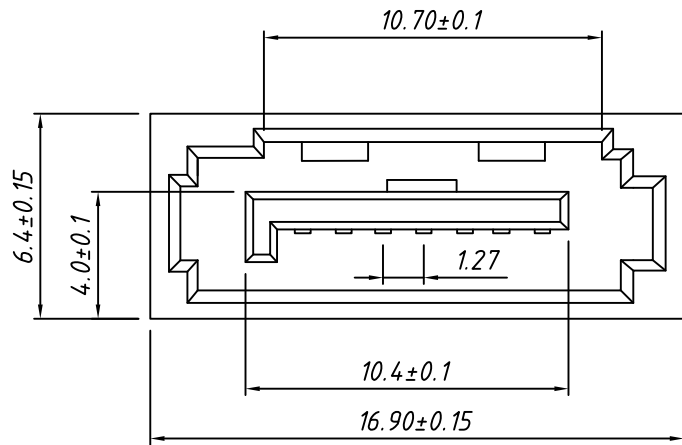
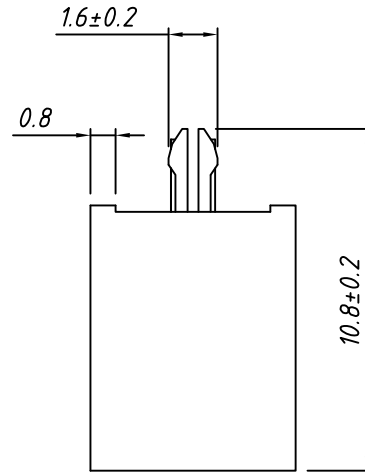
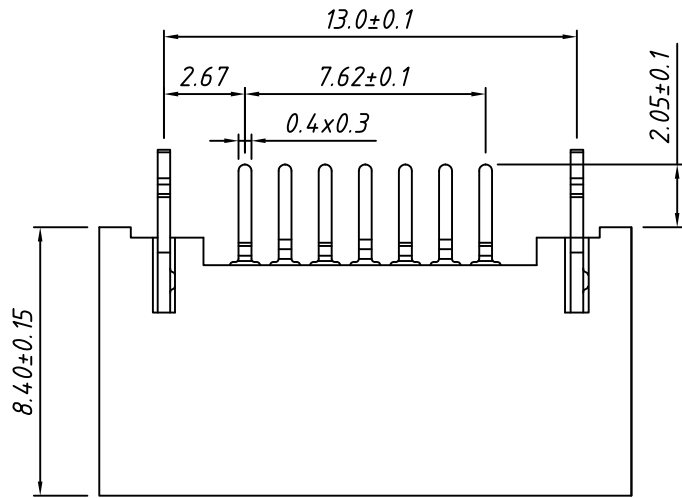


1 RoHS Compliance

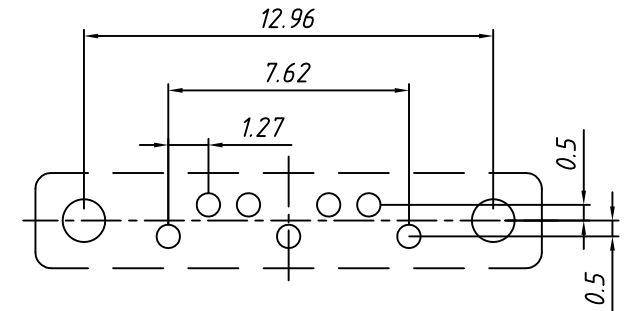


**MATERIAL:**

Housing: Thermoplastic, UL 94-V0  
 Contact: Copper alloy, 50u" min. Nickel plating  
 Overall; 100u" min. Tin on solder tail;  
 Gold plating on contact area.  
 Hook: Copper alloy, Nickel and Tin plating overall.

**ELECTRICAL:**

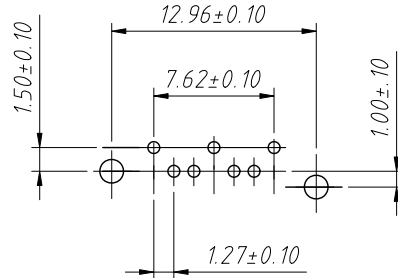
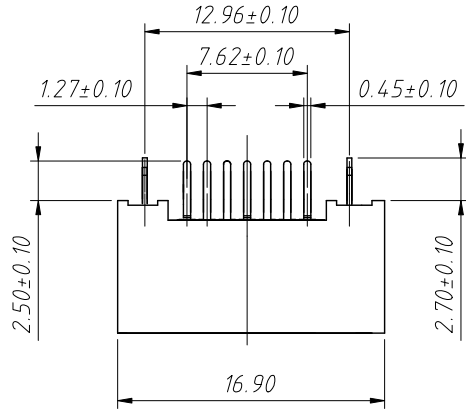
Contact Resistance: 25 mΩ Max.  
 Insulation Resistance: 1000 MΩ Min.  
 Dielectric Withstanding Voltage: 500VRMS Min.



Recommend PC Board Layout  
 (Top layer , Thickness: 1.60mm)

TOLERANCE	PROJECTION	UNITS	SHEET	Draw:	Date	Description:
.X ±0.30		mm	A4	Daniel	2018-03-01	SATA Type A 7P Male Connector, Straight DIP
.XX ±0.20				Daniel		
.XXX ±0.10						KLS P/N: L-KLS1-SATA004 A
X. ±2°						NingBo KLS ELECTRONIC CO.,LTD.
.X ±1°						
.XX ±0.5°						

1 RoHS Compliance



P.C. BOARD LAYOUT

Material:

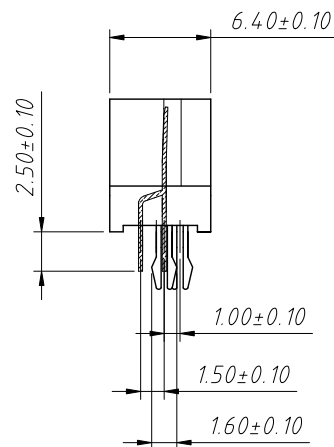
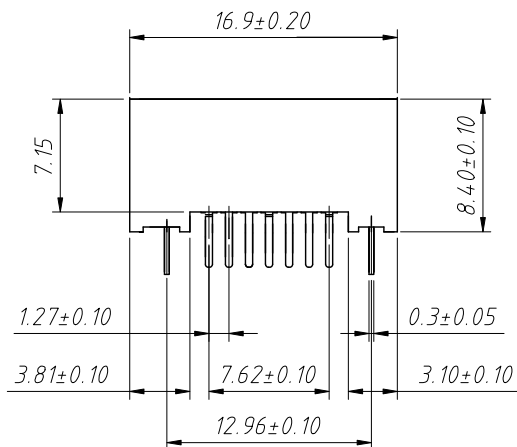
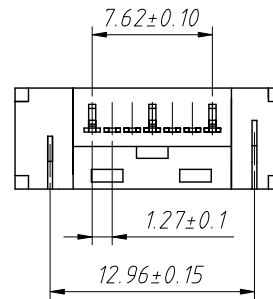
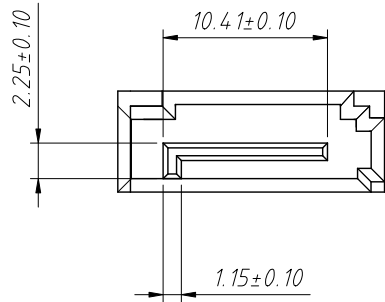
Housing:Hing Temperature Tnermaplastics,UI94V-0 LCP Black  
 Contact:Copper Alloy C2680,Contact: Plated Gold in Mating Area,  
 Tin On Solder Talls

Electrical Characteristics:

Current Rating:1.5A/contact terminal  
 Voltage Rating:30V DC  
 Insulator Resistance:1000MΩ Min  
 Contact Resistance:30mΩ Max  
 Dielectric Withstanding Voitage:500 V AC AT Sea Level

Mechanical:

Cnnector Mate and Unmate Force:  
 Mate force:3.57kgf(MAX)  
 Unmate force:1.02kgf(MIN)  
 Terminal Retenion:0.6kgf(MIN)



Order Information:

L - KLS1 - SATA004 B

L: RoHS  
 Serial number  
 Type:B-B Type

ANGLE TOLERANCE	PROJECTION	Description:	SATA Type B 7P Male Connector, Straight DIP	
±3°			L-KLS1-SATA004B	
GENERAL TOLERANCE	UNITS	mm	KLS P/N:	
x.x ±0.30	SHEET SIZE	A4		
x.xx ±0.20	Draw:	Daniel	2022-10-29	
x.xxx ±0.10	Check:	Daniel	2022-10-29	

NingBo KLS ELECTRONIC CO.,L TD.