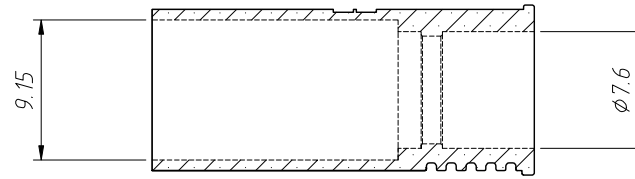
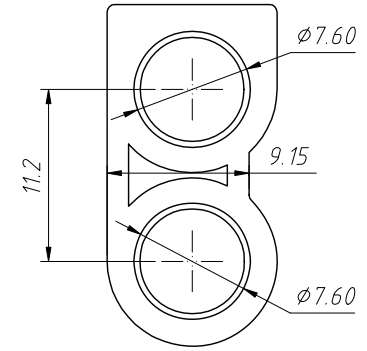
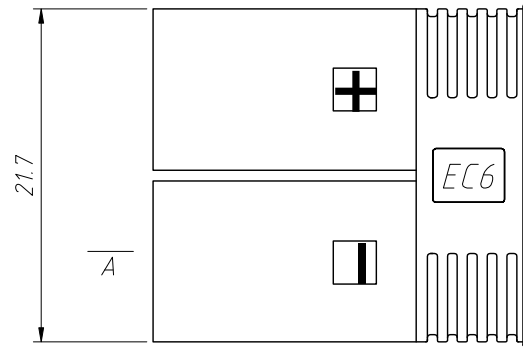
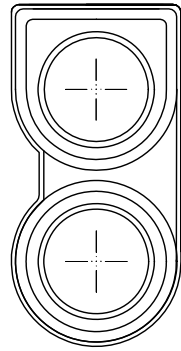
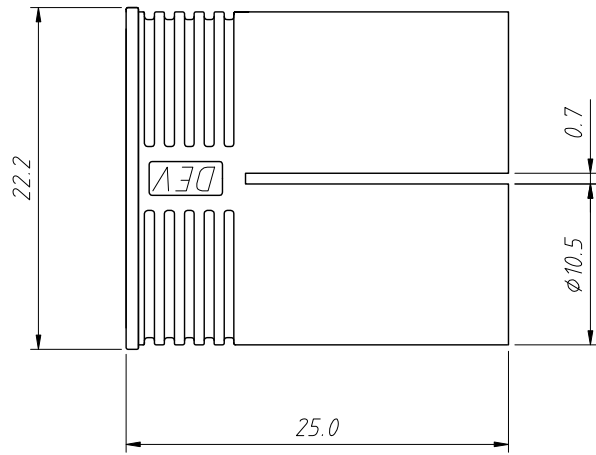
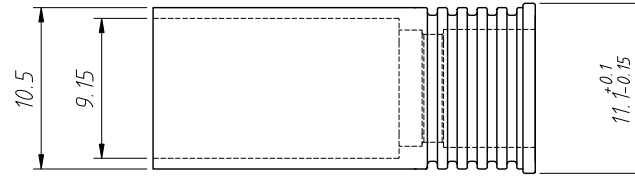


1 RoHS Compliance



A-A

Order Information:

L-KLS1-XT02-EC6-FH-2

L: RoHS

Product series

Type:

FH-Female Housing

MH-Male Housing

FT-Female Terminal

MT-Male Terminal

Housing Color:2-Blue

Material:

EC6 Female Housing:PA66 UL94-V2,Blue Color

Weight:1.8g

Package Way:500PCS/Bag

Temperature range:-30°C~120°C

Description:

1. EC6 Female Housing with 6.0 Male Terminal (L-KLS1-XT02-EC6-MT) used.

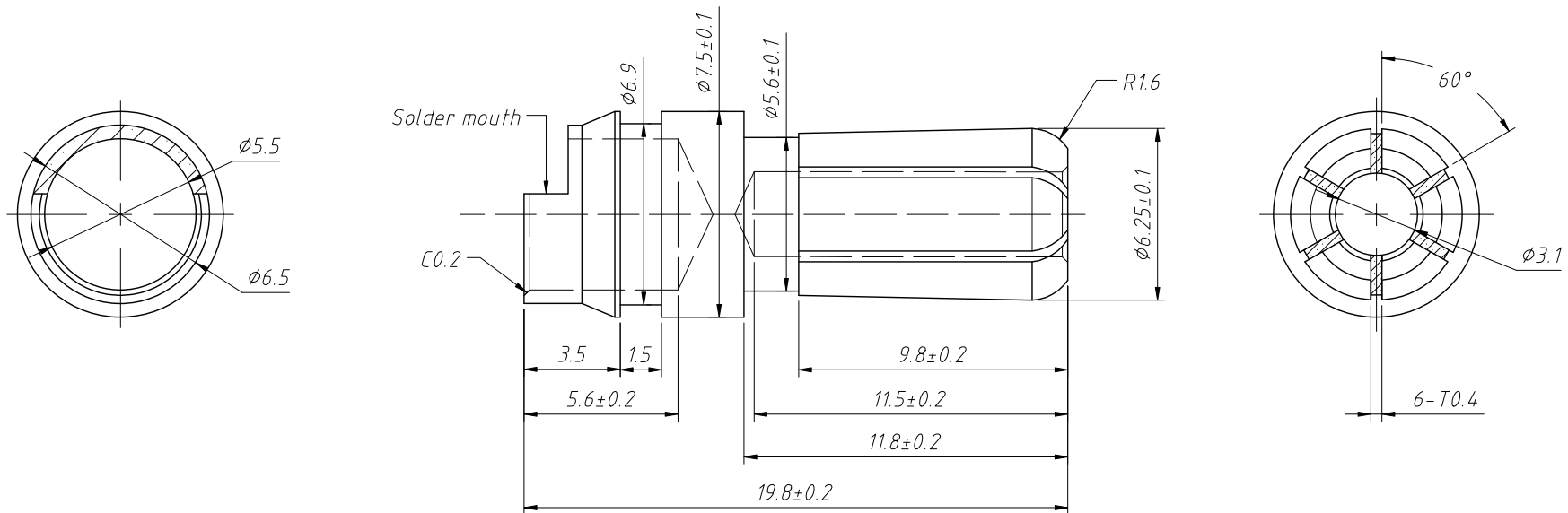
2. Hardware surface plating bright no oxidation and other bad.

3. The solder wire shall not flow outward to the terminal surface to avoid affecting the assembly

ANGLE TOLERANCE	PROJECTION	Description:
±3°		Female Housing
GENERAL TOLERANCE	UNITS	mm
x.x ±0.30	SHEET SIZE	A4
x.xx ±0.20	Draw:	Daniel 2022-08-25
x.xxx ±0.10	Check:	Daniel 2022-08-25

KLS NingBo KLS ELECTRONIC CO.,L TD.

1  
RoHS Compliance



Material:  
6.0 Male Terminal: 7.5×19.8, φ7.5 C3604, Gold plated  
Weight: 4.1g  
Package Way: 1000PCS/Bag

Electrical Characteristics:  
Cable Apoc: 10AWG Max  
Temperature range: -30°C ~ 120°C

Description:  
6.0 Male Terminal with EC6 Female Housing (L-KLS1-XT02-EC6-FH-2) used.  
No surface peeling, oxidation and other bad  
Package and store after full inspection

Order Information:  
L-KLS1-XT02-EC6-MT

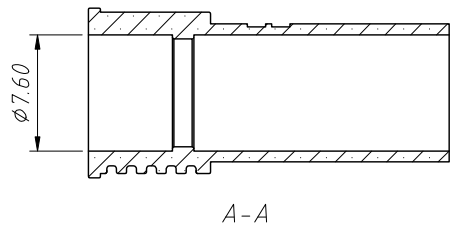
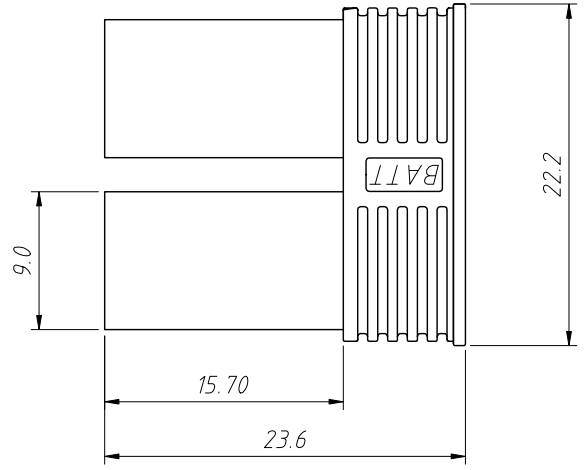
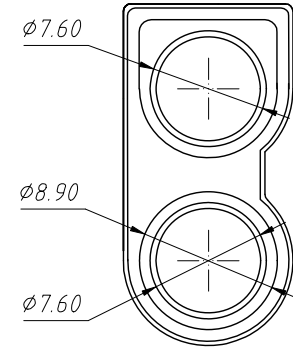
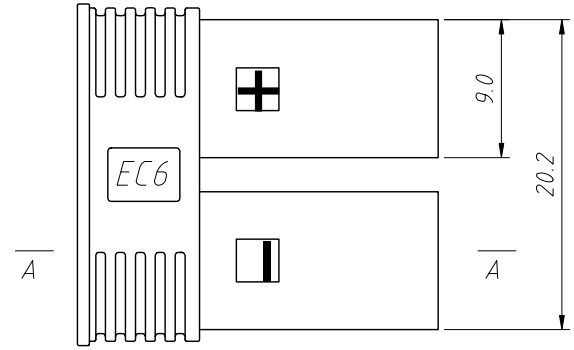
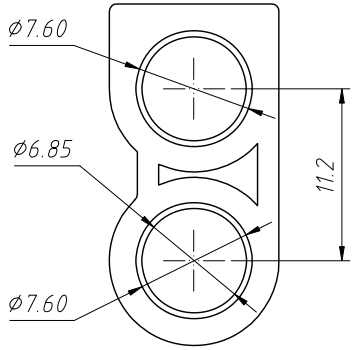
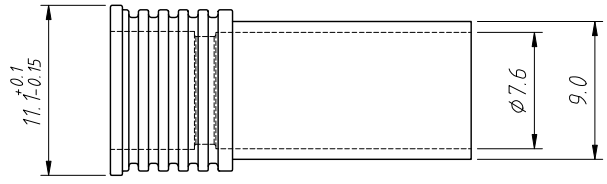
```

    L: RoHS
    Product series
    Type:
    FH-Female Housing
    MH-Male Housing
    FT-Female Terminal
    MT-Male Terminal
  
```

ANGLE TOLERANCE	PROJECTION	Description:	
±3°		Male Terminal	
GENERAL TOLERANCE	UNITS	mm	KLS P/N:
x.x ±0.30	SHEET SIZE	A4	L-KLS1-XT02-EC6-MT
x.xx ±0.20	Draw:	Daniel	2022-08-25
x.xxx ±0.10	Check:	Daniel	2022-08-25



1  
RoHS Compliance



**Order Information:**  
**L-KLS1-XT02-EC6-MH-2**

L: RoHS  
 Product series  
 Type:  
 FH-Female Housing  
 MH-Male Housing  
 FT-Female Terminal  
 MT-Male Terminal  
 Housing Color:2-Blue

**Material:**  
 EC6 Male Housing:PA66 UL94-V2,Blue Color  
 Weight:1.7g  
 Package Way:500PCS/Bag  
 Temperature range:-30°C ~ 120°C

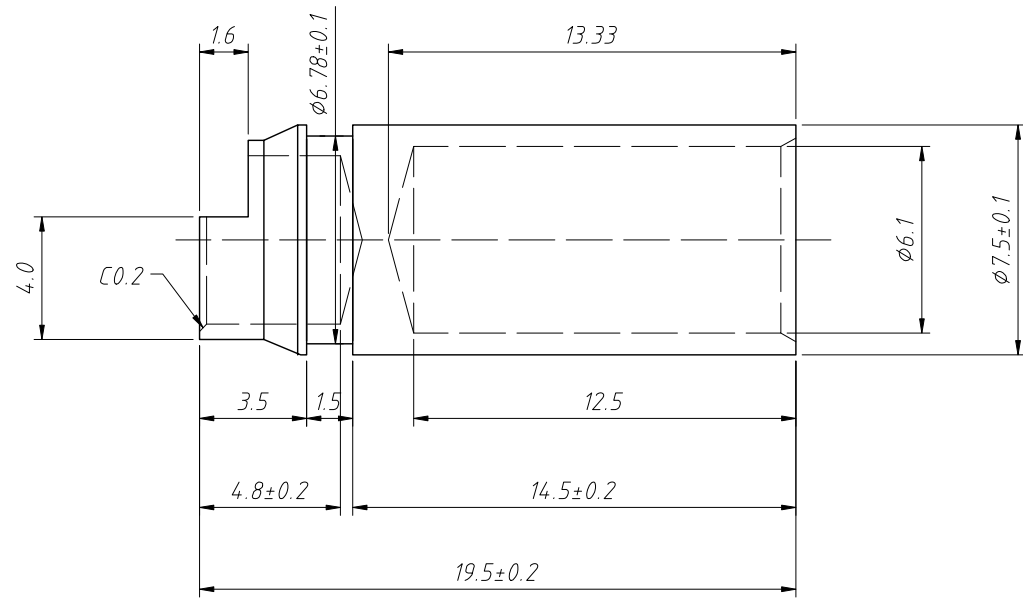
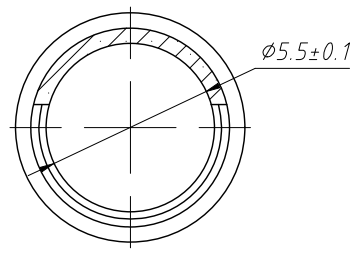
**Description:**

1. EC6 Male Housing with 6.0 Female Terminal (L-KLS1-XT02-EC6-FT) used.
2. Hardware surface plating bright no oxidation and other bad.
3. The solder wire shall not flow outward to the terminal surface to avoid affecting the assembly

ANGLE TOLERANCE	PROJECTION	Description:
±3°		Male Housing
GENERAL TOLERANCE	UNITS	mm
x.x ±0.30	SHEET SIZE	A4
x.xx ±0.20	Draw:	Daniel 2022-08-25
x.xxx ±0.10	Check:	Daniel 2022-08-25

NingBo KLS ELECTRONIC CO.,LTD.

1  
RoHS Compliance



Material:  
6.0 Female Terminal: 7.5x19.5,  $\phi 7.5$  C3604, Gold plated  
Weight: 2.8g  
Package Way: 1000PCS/Bag

Electrical Characteristics:  
Cable Apec: 10AWG Max  
Temperature range:  $-30^{\circ}\text{C} \sim 120^{\circ}\text{C}$

Description:  
6.0 Female Terminal with EC6 Male Housing (L-KLS1-XT02-EC6-MH-2) used.

Order Information:  
L-KLS1-XT02-EC6-FT  
L: RoHS  
Product series  
Type:  
FH-Female Housing  
MH-Male Housing  
FT-Female Terminal  
MT-Male Terminal

ANGLE TOLERANCE	PROJECTION	Description:	
$\pm 3^{\circ}$		Female Terminal	
GENERAL TOLERANCE	UNITS	mm	KLS P/N:
x.x $\pm 0.30$	SHEET SIZE	A4	L-KLS1-XT02-EC6-FT
x.xx $\pm 0.20$	Draw:	Daniel	2022-08-25
x.xxx $\pm 0.10$	Check:	Daniel	2022-08-25

