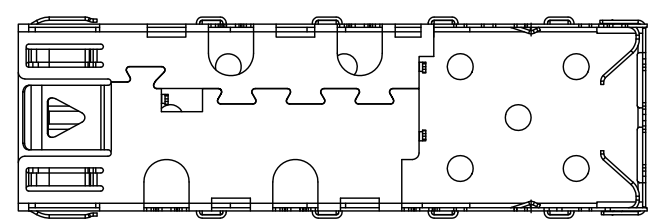
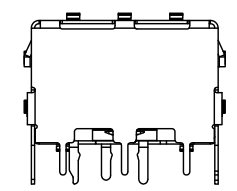
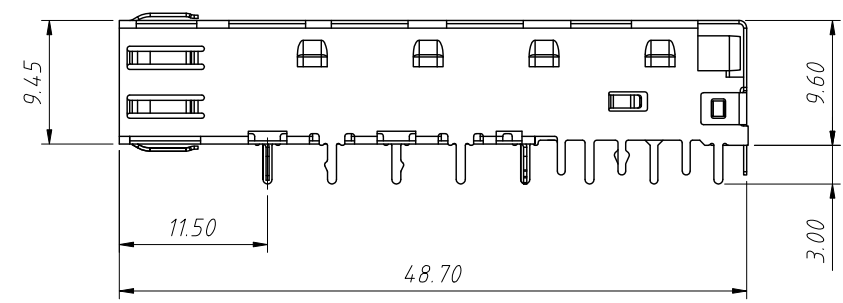
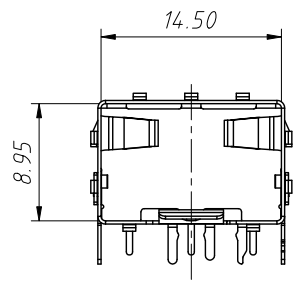
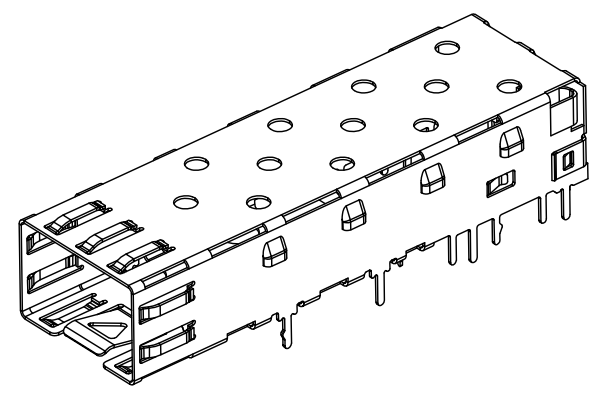
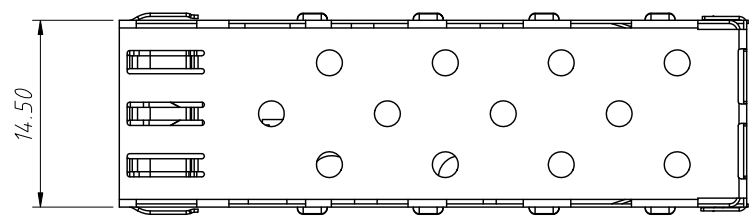


1  
RoHS Compliance



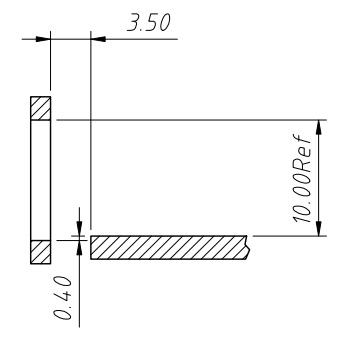
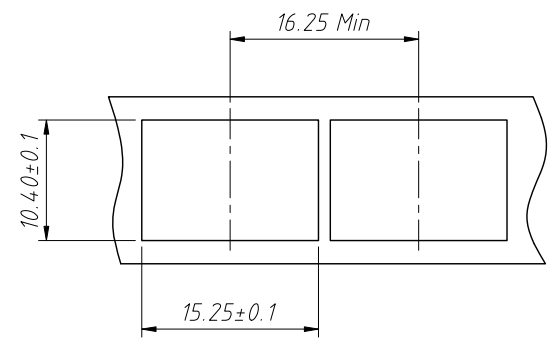
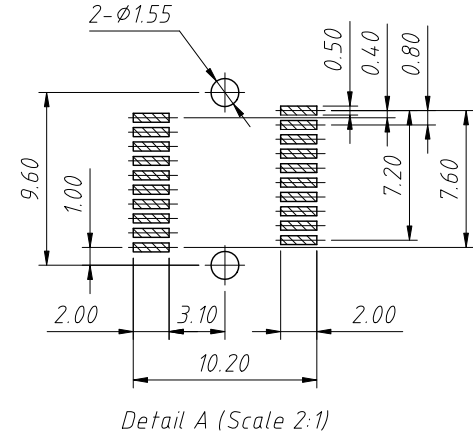
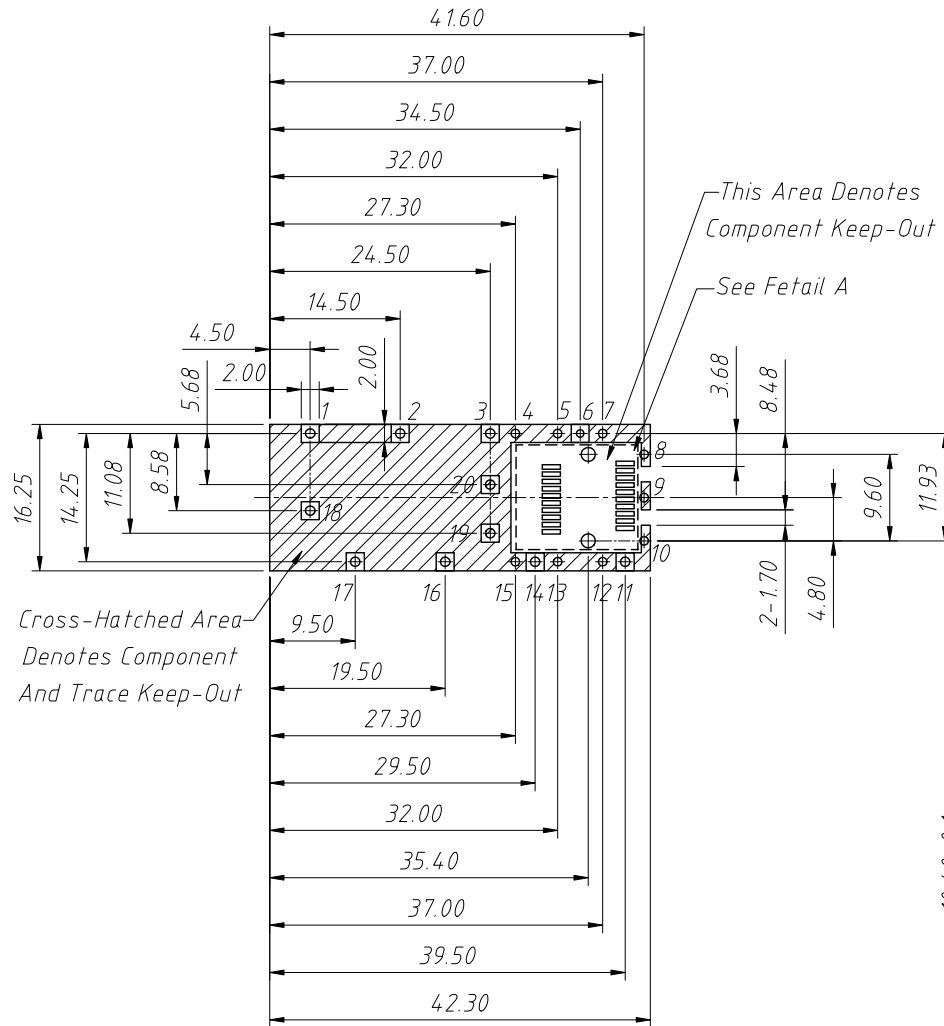
Material:  
Copper:Copper Alloy  
Thickness:0.25mm

ANGLE TOLERANCE		PROJECTION		Description:	
±0.5°				SFP Connector 1x1 Cage	
GENERAL TOLERANCE		UNITS	mm	KLS P/N:	L-KLS12-SFP-01
x.x	±0.25	SHEET SIZE	A4		
x.xx	±0.20	Draw:	Daniel	2022-09-15	
x.xxx	±0.15	Check:	Daniel	2022-09-15	



NingBo KLS ELECTRONIC CO.,L TD.

1 RoHS Compliance



1. Recommended PCB Thickness:2.36 (Top View)  
 (Minimum PCB Thickness:1.57)  
 (All Tolerances Are ±0.05)

Note:  
 1,2,3,11,14,16,17,18,19,20# hole  $\phi$ 1.05mm;  
 4,5,7,8,9,10,12,13,15# hole  $\phi$ 0.95mm;  
 6# hole  $\phi$ 0.85mm;

Bezel  
 Recommended Bezel Thickness:0.80 ~ 2.60mm

Bezel Opening  
 Below Top Of PCB

ANGLE TOLERANCE	PROJECTION	Description:		
±0.5°		SFP Connector 1x1 Cage		
GENERAL TOLERANCE	UNITS	mm	KLS P/N:	L-KLS12-SFP-01
x.x ±0.25	SHEET SIZE	A4		
x.xx ±0.20	Draw:	Daniel	2022-09-15	NingBo KLS ELECTRONIC CO.,L TD.
x.xxx ±0.15	Check:	Daniel	2022-09-15	