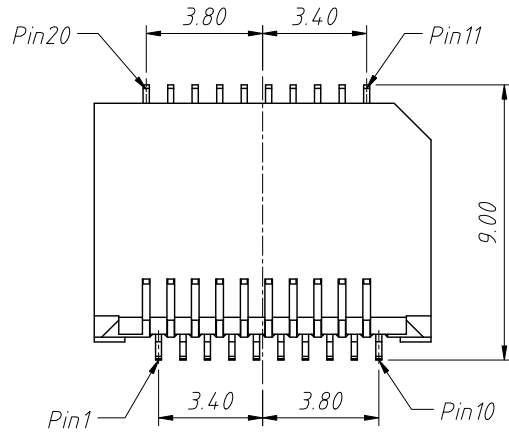
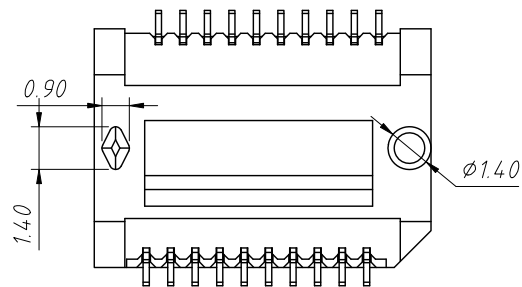
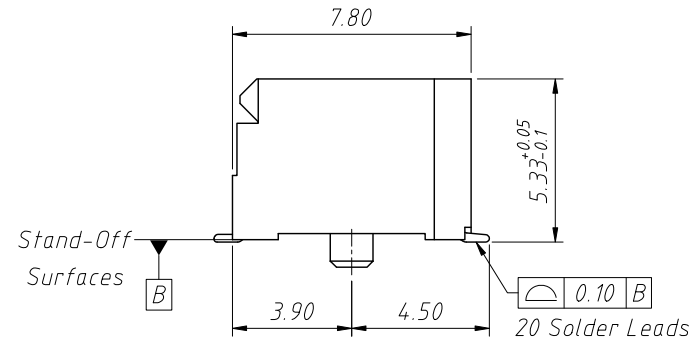
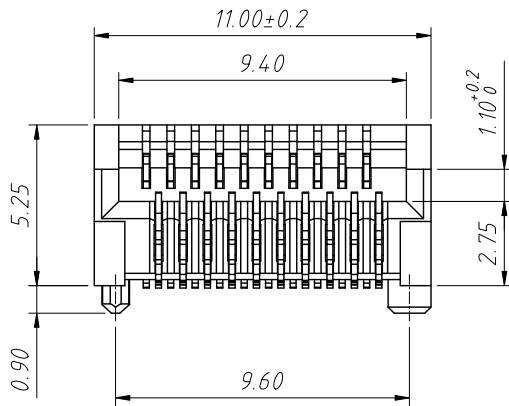


RoHS Compliance



Material:
 Housing:LCP,UL 94V-0,Black.
 Contact:C5210R-EH,T=0.20mm
 Plating:AU 15u"

Electrical Characteristics:
 Dielectric Strength:AC 300V / Minute
 Insulator Resistance:500M Ω Min
 Contact Resistance:40m Ω Max
 Operating Temperature:-40°C ~ + 85°C
 Durability Test:100 Cycles Min.

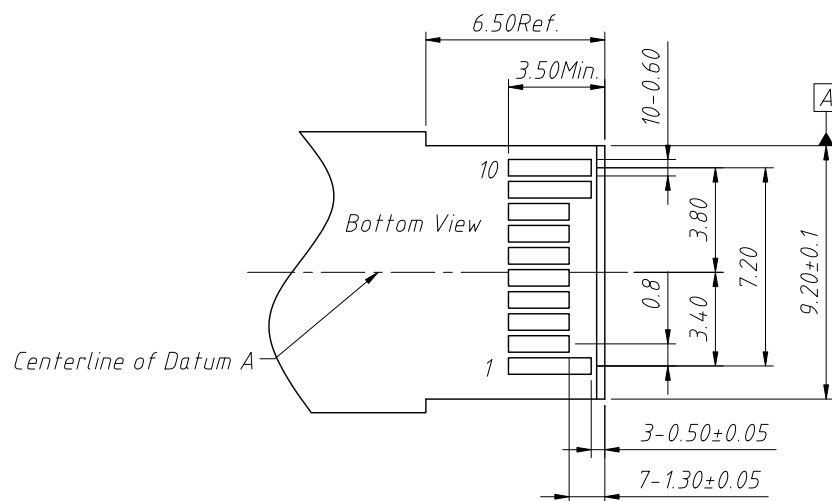
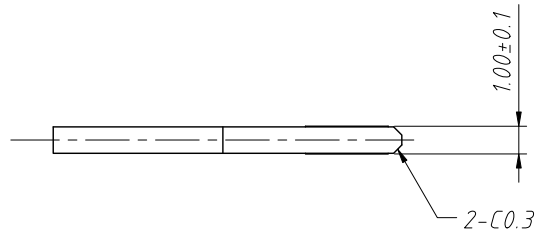
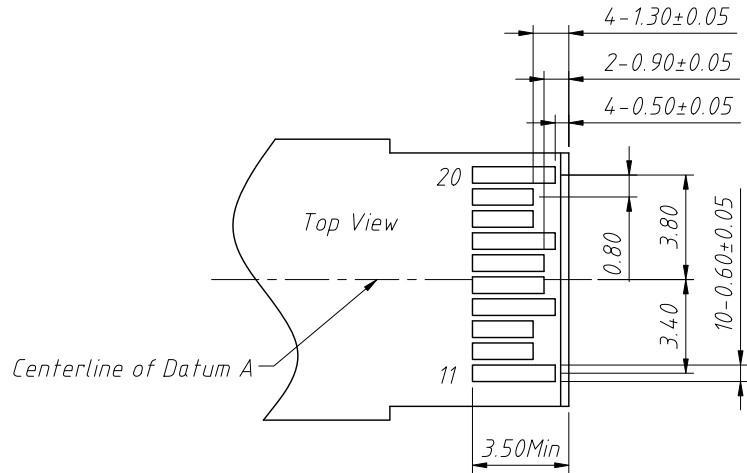


ANGLE TOLERANCE	PROJECTION	Description:	
±0.5°		SFP Connector 20PIN AU 15u"	
GENERAL TOLERANCE	UNITS	mm	KLS P/N:
x.x ±0.25	SHEET SIZE	A4	L-KLS12-SFP+01
x.xx ±0.20	Draw:	Daniel	2022-09-15
x.xxx ±0.15	Check:	Daniel	2022-09-15

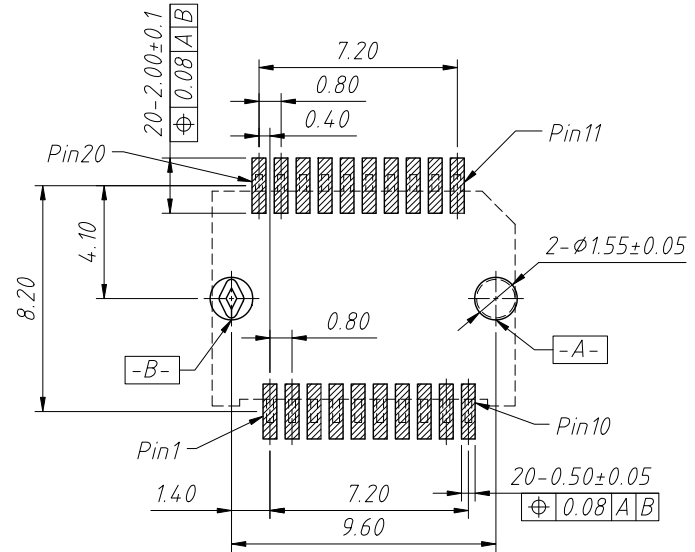


NingBo KLS ELECTRONIC CO.,LTD.

RoHS Compliance



Recommended Layout Mating PCB Side



Recommended PCB Layout (Top View)
(All Tolerances Are ±0.05)

ANGLE TOLERANCE	PROJECTION	Description:	SFP Connector 20PIN AU 15u"	
±0.5°				
GENERAL TOLERANCE	UNITS	mm	KLS P/N:	L-KLS12-SFP+01
x.x ±0.25	SHEET SIZE	A4		
x.xx ±0.20	Draw:	Daniel	2022-09-15	NingBo KLS ELECTRONIC CO.,LTD.
x.xxx ±0.15	Check:	Daniel	2022-09-15	