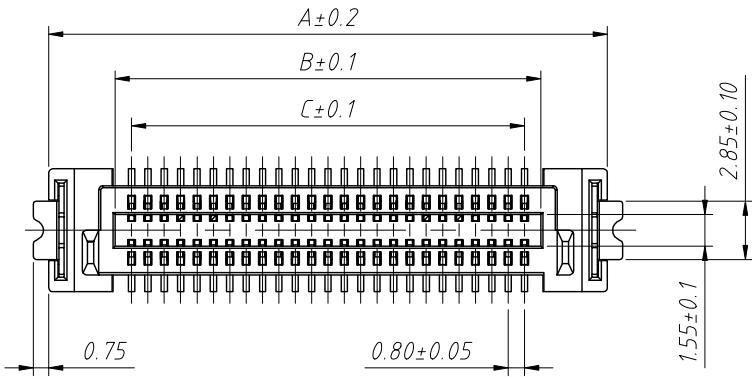
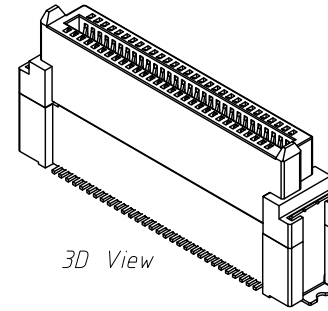


RoHS Compliance



H	H1
---	7.40
3.00	10.40
4.00	11.40
5.00	12.40
6.00	13.40

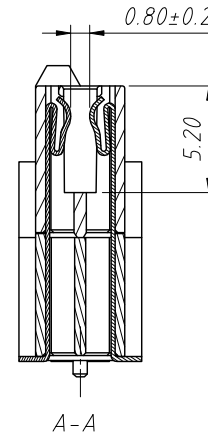
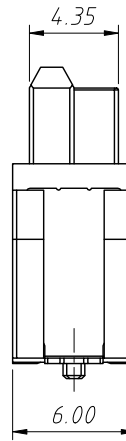
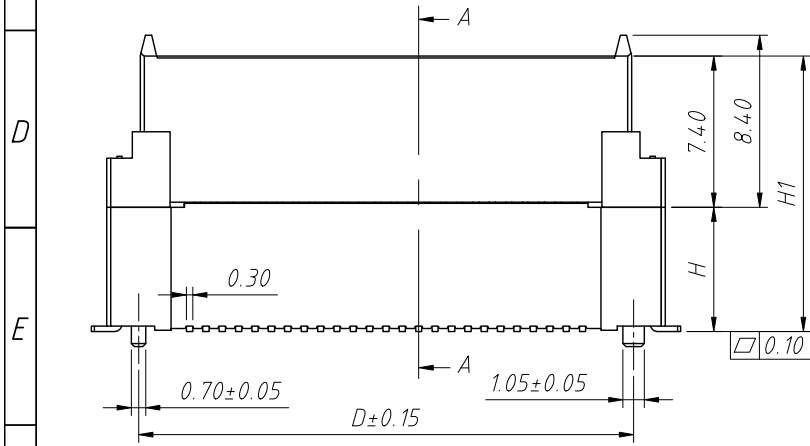


Material:

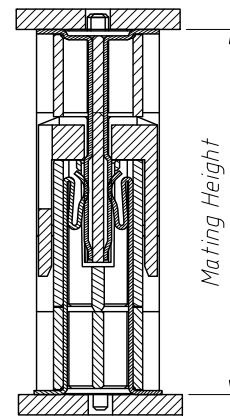
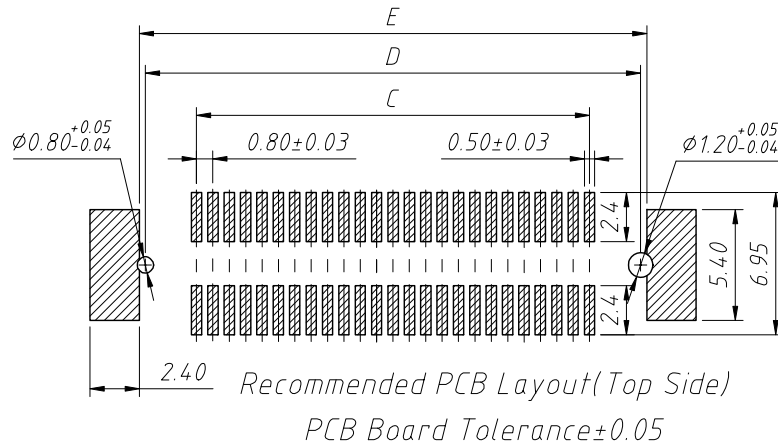
1. Housing: Thermo-Plastic, UL 94 V-0, Nature
2. Contact: Phosphor Bronze, 1u" Au Min(Gold Flash); Solder: Gold Flash, Underplating: 50~120u" Nickel Overall.
3. Solder Tab: Phosphor Bronze
Total: 80~150u" Tin Plated Overall.
Underplating: 50~120u" Nickel Overall
4. Operating Temperature: -55°C To +125°C

Electrical:

1. Current Rating: 0.5A 50V AC/DC
2. Withstanding Voltage: 250V Ac For 1 Min
3. Contact Resistance: 65mΩ Max
4. Insulation Resistance: 100MΩ Min



Mated Height					
Plug	Socket H1				
	7.40	10.40	11.40	12.40	13.40
8.00	10.00	13.00	14.00	15.00	16.00
11.00	13.00	16.00	17.00	18.00	19.00
12.00	14.00	17.00	18.00	19.00	20.00
13.00	15.00	18.00	19.00	20.00	21.00
14.00	16.00	19.00	20.00	21.00	22.00
No. Of Pins	Dimension				
	A	B	C	D	E
20	15.30	8.80	7.20	12.20	12.80
30	19.30	12.80	12.20	16.20	16.80
40	23.30	16.80	15.20	20.20	20.80
50	27.30	20.80	19.20	24.20	24.80
60	31.30	24.80	23.20	28.20	28.80
80	39.30	32.80	31.20	36.20	36.80
100	47.30	40.60	39.20	44.20	44.80
120	55.30	48.80	47.20	52.20	52.80
160	71.30	64.80	63.20	68.20	68.80



Order Information:

L-KLS1-B1008-740 F XXP-TR

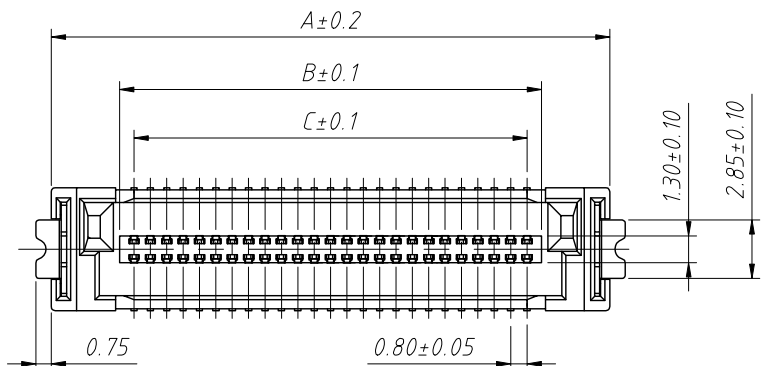
- L: RoHS
- Board To Board
- Pitch-0.8mm
- Height-7.40mm
- Type-F-Female
- XX-No. Of Contact
- Installation mode:
T=SMD Without Post, T3=SMD With Post
- Packing: R=Reel T=Tube

ANGLE TOLERANCE	PROJECTION	Description:
±3°		0.8mm Board To Board Socket
GENERAL TOLERANCE	UNITS	mm
x.x ±0.30	SHEET SIZE	A4
x.xx ±0.20	Draw:	Daniel
x.xxx ±0.10	Check:	Daniel

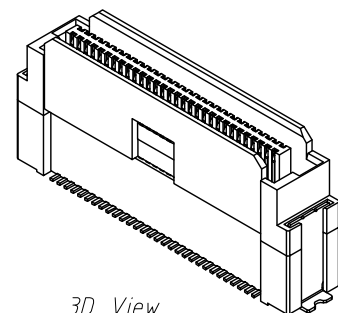


L-KLS1-B1008-740FXXP-T3R
NingBo KLS ELECTRONIC CO.,L TD.

RoHS Compliance



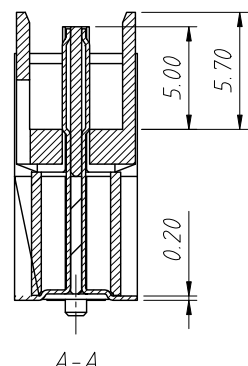
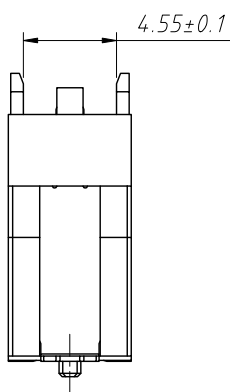
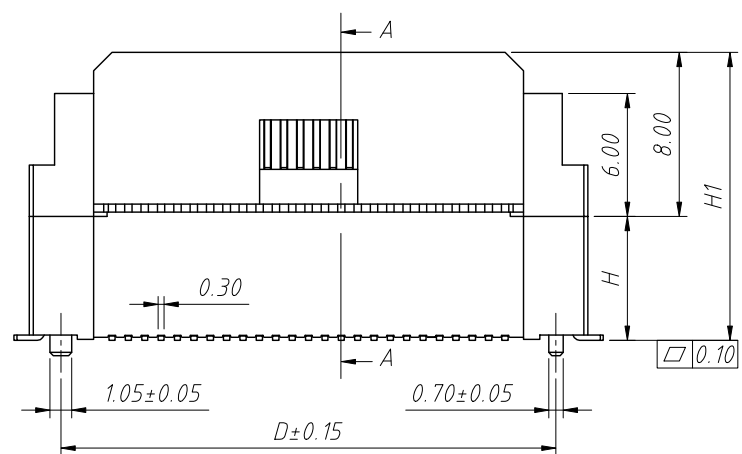
H	H1
---	8.00
3.00	11.00
4.00	12.00
5.00	13.00
6.00	14.00



3D View

Material;

1. Housing: Thermo-Plastic, UL 94V-0, Nature
 2. Contact: Phosphor Bronze, 1u" Au Min (Gold Flash); Solder: Gold Flash, Underplating: 50~120u" Nickel Overal.
 3. Solder Tab: Phosphor Bronze Total: 80~150u" Tin Plated Overal. Underplating: 50~120u" Nickel Overall
 4. Operating Temperature: -55°C To +125°C
- Electrical:
1. Current Rating: 0.5A 50V AC/DC
 2. Withstanding Voltage: 250V Ac For 1 Min
 3. Contact Resistance: 65mΩ Max
 4. Insulation Resistance: 100MΩ Min



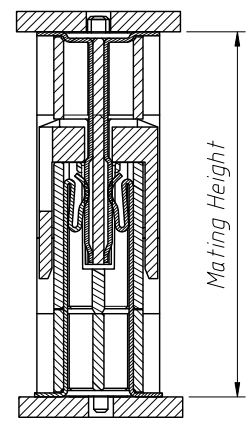
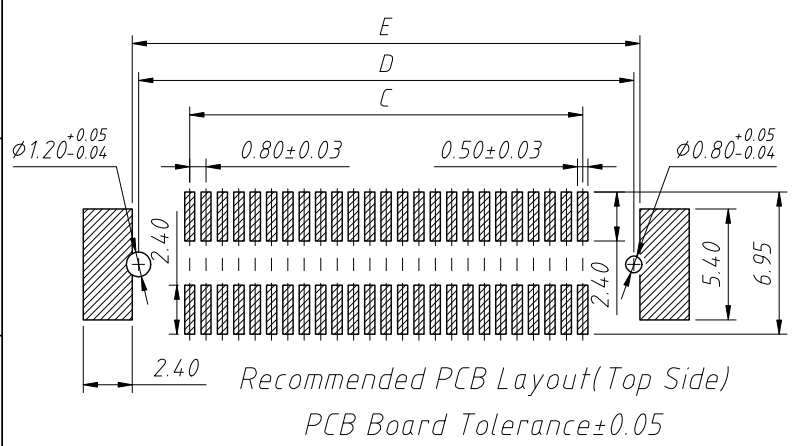
A-A

Plug	Mated Height				
	Socket H1				
8.00	7.40	10.40	11.40	12.40	13.40
11.00	10.00	13.00	14.00	15.00	16.00
12.00	13.00	16.00	17.00	18.00	19.00
13.00	14.00	17.00	18.00	19.00	20.00
14.00	15.00	18.00	19.00	20.00	21.00
14.00	16.00	19.00	20.00	21.00	22.00
No. Of Pins	Dimension				
	A	B	C	D	E
20	15.30	8.60	7.20	12.20	12.80
30	19.30	12.60	12.20	16.20	16.80
40	23.30	16.60	15.20	20.20	20.80
50	27.30	20.60	19.20	24.20	24.80
60	31.30	24.60	23.20	28.20	28.80
80	39.30	32.60	31.20	36.20	36.80
100	47.30	40.60	39.20	44.20	44.80
120	55.30	48.60	47.20	52.20	52.80
160	71.30	64.60	63.20	68.20	68.80

Order Information:

L-KLS1-B1008-800 M XXP-TR

- L: RoHS
- Board To Board
- Pitch-0.8mm
- Height-8.00mm
- Type: M-Male
- XX-No. Of Contact
- Installation mode: T=SMD Without Post, T3=SMD With Post
- Packing: R=Reel T=Tube



ANGLE TOLERANCE	PROJECTION	Description:
±3°		0.8mm Board To Board Plug
GENERAL TOLERANCE	UNITS	mm
x.x	±0.30	SHEET SIZE A4
x.xx	±0.20	Draw: Daniel
x.xxx	±0.10	Check: Daniel

L-KLS1-B1008-800MXXP-T3R



NingBo KLS ELECTRONIC CO.,L TD.