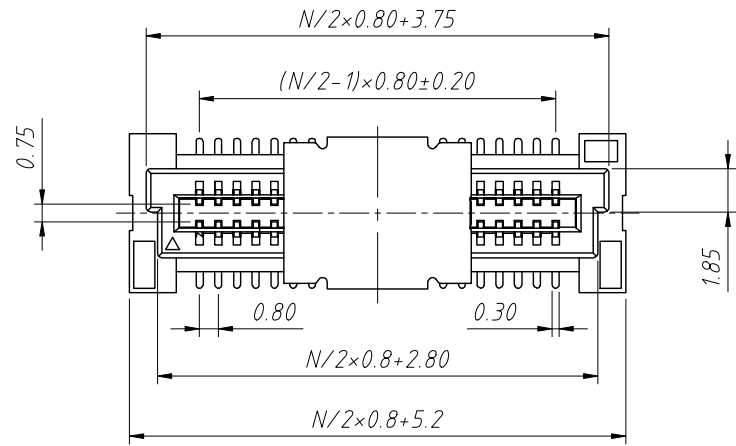


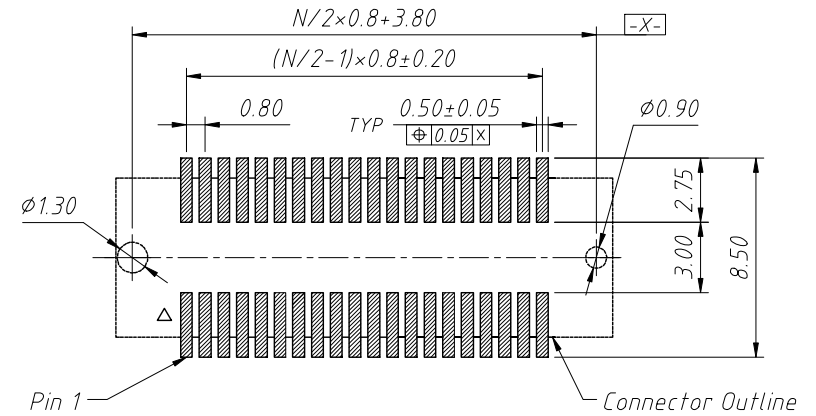
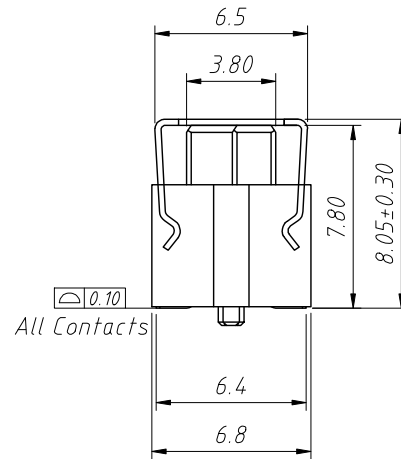
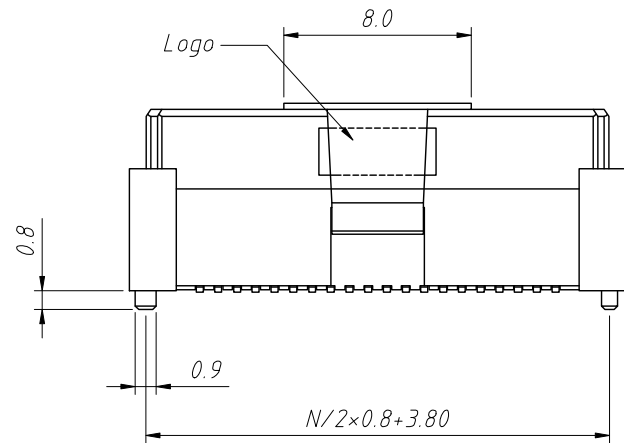
RoHS Compliance



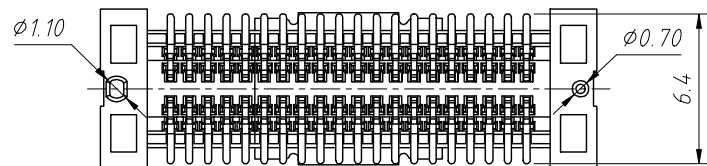
Material;
 Housing: Thermo-Plastic, UL 94 V-0
 Color: Natural
 Contact: Phosphor Bronze, Gold Plated.
 CAP: Brass

Specification:
 1. Contact resistance: 50mΩ Max.
 2. Insulation resistance: 500MΩ Min at 500V DC
 3. Rated voltage: 30V AC DC.
 4. Rated current: 0.5A AC DC.
 5. Temperature Range: -20°C ~ + 85°C.

Order Information:
L-KLS1-B0708-805 F XXP-T3R-D
 L: RoHS
 Board To Board
 Pitch-0.80mm
 Height-8.05mm
 Type: F-Female
 XX-No. Of Contact
 Installation mode:
 T=SMD Without Post,
 T3=SMD With Post
 Packing: R=Reel T=Tube
 D-With Locating Plate



Recommended PCB Layout Tolerance: ±0.05

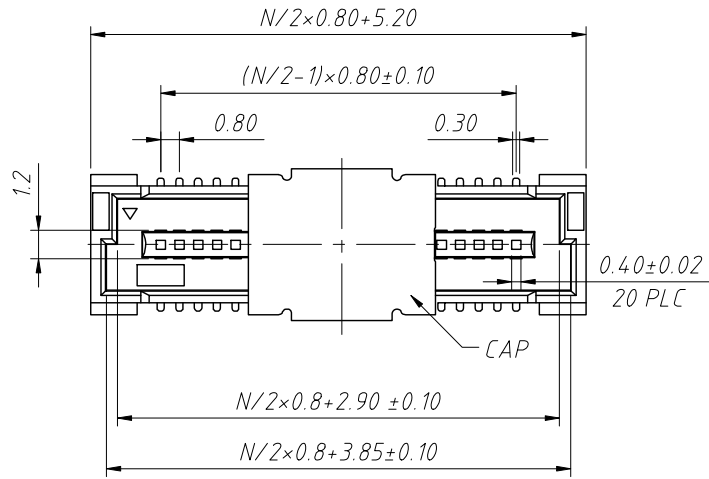


ANGLE TOLERANCE	PROJECTION	Description:	
±3°		0.80mm Board To Board Socket	
GENERAL TOLERANCE	UNITS	mm	KLS P/N:
x.x ±0.30	SHEET SIZE	A4	L-KLS1-B0708-805FXXP-T3R-D
x.xx ±0.20	Draw:	Daniel	2020-11-11
x.xxx ±0.10	Check:	Daniel	2020-11-11



NingBo KLS ELECTRONIC CO.,LTD.

RoHS Compliance

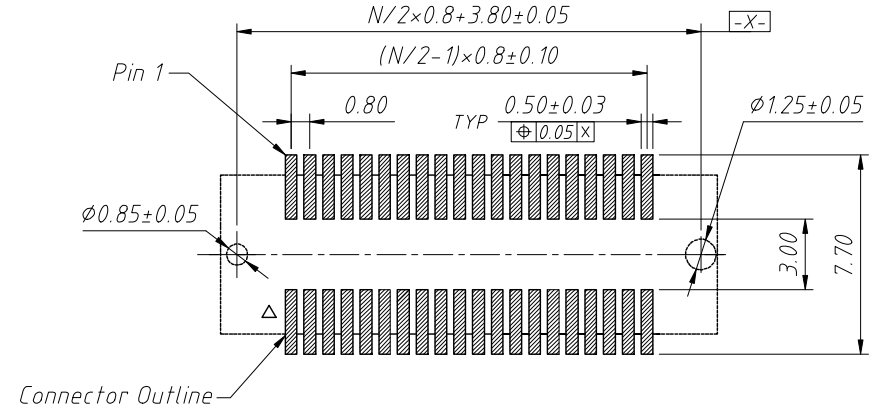
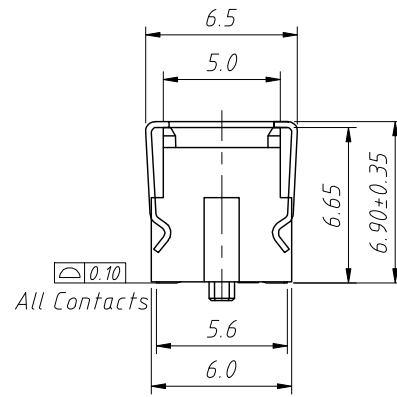
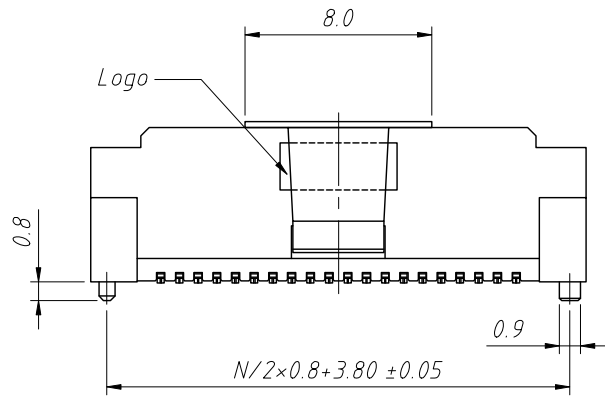


Material;
 Housing: Thermo-Plastic, UL 94 V-0
 Color: Natural
 Contact: Phosphor Bronze, Gold Plated.
 CAP: Brass

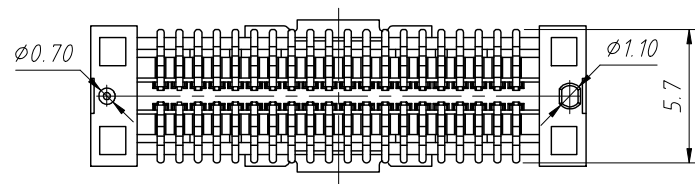
Specification:
 1. Contact resistance: 50mΩ Max.
 2. Insulation resistance: 500MΩ Min at 500V DC
 3. Rated voltage: 30V AC DC.
 4. Rated current: 0.5A AC DC.
 5. Temperature Range: -20°C ~ +85°C.

Order Information:
L-KLS1-B0708-690 M XXP-T3R-D

L: RoHS
 Board To Board
 Pitch-0.80mm
 Height-6.90mm
 Type: M-Male
 XX-No. Of Contact
 Installation mode:
 T=SMD Without Post,
 T3=SMD With Post
 Packing: R=Reel T-Tube
 D-With Locating Plate



Recommended PCB Layout Tolerance: ±0.05



ANGLE TOLERANCE	PROJECTION	Description:	0.80mm Board To Board Plug	
±3°				
GENERAL TOLERANCE	UNITS	mm	KLS P/N:	L-KLS1-B0708-690MXXP-T3R-D
x.x ±0.30	SHEET SIZE	A4		
x.xx ±0.20	Draw:	Daniel	2020-11-11	NingBo KLS ELECTRONIC CO.,LTD.
x.xxx ±0.10	Check:	Daniel	2020-11-11	