

AV-F12038



SIZE:

120x120x38mm

construction:

Glass Fiber reinforced plastic;
Impeller and housing PBT

OPERATING TEMPERATURE:

Sleeve bearing -10°C to +70°C

INSULATION RESISTANCE:

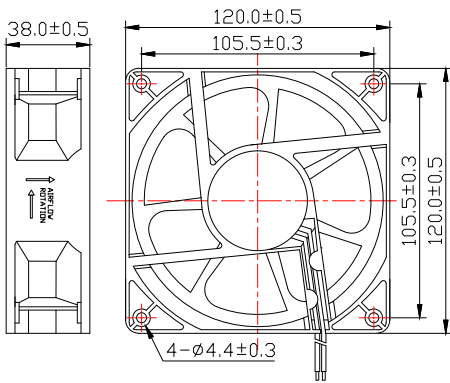
10meg Ohm min, at 500 VDC
(between frame and terminal)

DIELECTRIC STRENGTH:

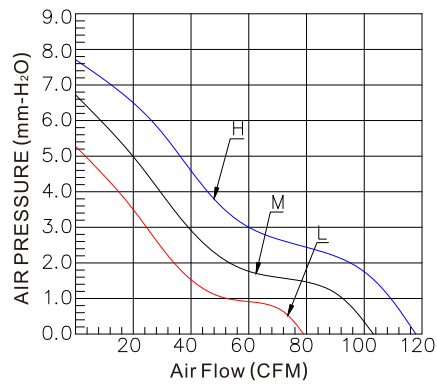
5mA max, at 500 VAC 60Hz one minute
(between frame and terminal)

Dimensions Drawing

Unit:mm



Characteristic Curves



Specifications

Carton Specifications (Unit: cm):45x25x25 QTY:40pcs GW:9.44Kg

Model	Bearing Type	Rated Voltage	Operation Voltage	Current	Speed	Air Flow	Static Pressure	Noise Level	Weight
		VDC	VDC	A	RPM	CFM	mmH ₂ O	dBA	g
AV-F12038HS	Sleeve	12	10.8~13.2	1.00	4000	119.49	7.81	44.47	236
AV-F12038MS	Sleeve	12	10.8~13.2	0.45	3000	107.54	6.66	41.51	236
AV-F12038LS	Sleeve	12	10.8~13.2	0.30	2000	79.66	5.26	39.98	236
AV-F12038HB	Ball	12	10.8~13.2	1.00	4000	119.49	7.81	44.47	236
AV-F12038MB	Ball	12	10.8~13.2	0.45	3000	107.54	6.66	41.51	236
AV-F12038LB	Ball	12	10.8~13.2	0.30	2000	79.66	5.26	39.98	236
AV-F12038HS24	Sleeve	24	21.6~26.4	0.75	4000	119.49	7.81	44.47	236
AV-F12038MS24	Sleeve	24	21.6~26.4	0.30	3000	107.54	6.66	41.51	236
AV-F12038LS24	Sleeve	24	21.6~26.4	0.20	2000	79.66	5.26	39.98	236
AV-F12038HB24	Ball	24	21.6~26.4	0.75	4000	119.49	7.81	44.47	236
AV-F12038MB24	Ball	24	21.6~26.4	0.30	3000	107.54	6.66	41.51	236
AV-F12038LB24	Ball	24	21.6~26.4	0.20	2000	79.66	5.26	39.98	236