

## AV-F12025



**SIZE:**

120x120x25mm

**construction:**

Glass Fiber reinforced plastic;  
Impeller and housing PBT

**OPERATING TEMPERATURE:**

Sleeve bearing -10°C to +70°C

**INSULATION RESISTANCE:**

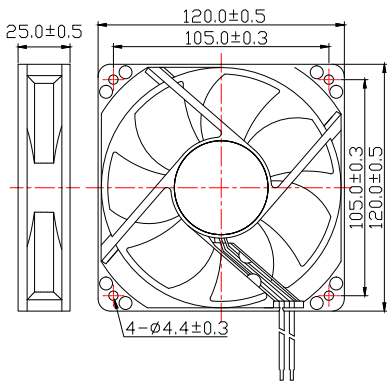
10meg Ohm min, at 500 VDC  
(between frame and terminal)

**DIELECTRIC STRENGTH:**

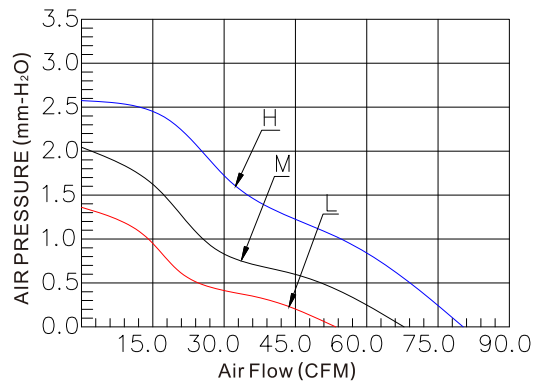
5mA max, at 500 VAC 60Hz one minute  
(between frame and terminal)

### Dimensions Drawing

Unit:mm



### Characteristic Curves



### Specifications

Carton Specifications (Unit: cm):64.5x26.2x26.7 QTY:100pcs GW:14.21Kg

Model	Bearing Type	Rated Voltage	Operation Voltage	Current	Speed	Air Flow	Static Pressure	Noise Level	Weight
		VDC	VDC	A	RPM	CFM	mmH <sub>2</sub> O	dBA	g
AV-F12025HS	Sleeve	12	10.8~13.2	0.60	3000	79.75	2.57	32.48	130
AV-F12025MS	Sleeve	12	10.8~13.2	0.35	2000	66.05	2.01	28.00	130
AV-F12025LS	Sleeve	12	10.8~13.2	0.15	1000	52.58	1.37	24.43	130
AV-F12025HB	Ball	12	10.8~13.2	0.60	3000	79.75	2.57	32.48	130
AV-F12025MB	Ball	12	10.8~13.2	0.35	2000	66.05	2.01	28.00	130
AV-F12025LB	Ball	12	10.8~13.2	0.15	1000	52.58	1.37	24.43	130
AV-F12025HS24	Sleeve	24	21.6~26.4	0.30	3000	79.75	2.57	32.48	130
AV-F12025MS24	Sleeve	24	21.6~26.4	0.20	2000	66.05	2.01	28.00	130
AV-F12025LS24	Sleeve	24	21.6~26.4	0.13	1000	52.58	1.37	24.43	130
AV-F12025HB24	Ball	24	21.6~26.4	0.30	3000	79.75	2.57	32.48	130
AV-F12025MB24	Ball	24	21.6~26.4	0.20	2000	66.05	2.01	28.00	130
AV-F12025LB24	Ball	24	21.6~26.4	0.13	1000	52.58	1.37	24.43	130