

AV-F12020



SIZE:

120x120x20mm

construction:

Glass Fiber reinforced plastic;
Impeller and housing PBT

OPERATING TEMPERATURE:

Sleeve bearing -10°C to +70°C

INSULATION RESISTANCE:

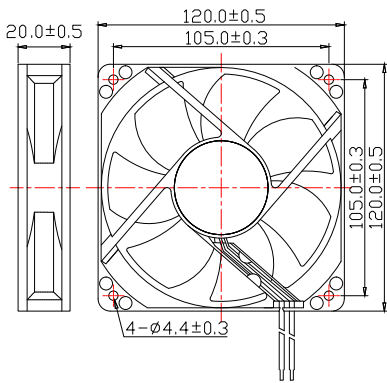
10meg Ohm min, at 500 VDC
(between frame and terminal)

DIELECTRIC STRENGTH:

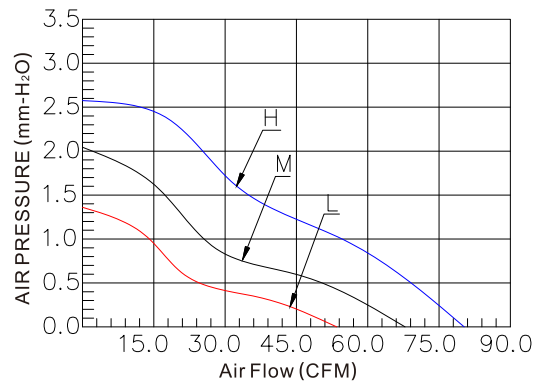
5mA max, at 500 VAC 60Hz one minute
(between frame and terminal)

Dimensions Drawing

Unit:mm



Characteristic Curves



Specifications

Carton Specifications (Unit: cm):52.5x26.2x26 QTY:100pcs GW:9.76Kg

Model	Bearing Type	Rated Voltage	Operation Voltage	Current	Speed	Air Flow	Static Pressure	Noise Level	Weight
		VDC	VDC						
AV-F12020HS	Sleeve	12	10.8~13.2	0.30	2000	79.75	2.57	32.48	90.1
AV-F12020MS	Sleeve	12	10.8~13.2	0.25	1700	66.05	2.01	28.00	90.1
AV-F12020LS	Sleeve	12	10.8~13.2	0.20	1400	52.58	1.37	24.43	90.1
AV-F12020HB	Ball	12	10.8~13.2	0.30	2000	79.75	2.57	32.48	90.1
AV-F12020MB	Ball	12	10.8~13.2	0.25	1700	66.05	2.01	28.00	90.1
AV-F12020LB	Ball	12	10.8~13.2	0.20	1400	52.58	1.37	24.43	90.1
AV-F12020HS24	Sleeve	24	21.6~26.4	0.23	2000	79.75	2.57	32.48	90.1
AV-F12020MS24	Sleeve	24	21.6~26.4	0.18	1700	66.05	2.01	28.00	90.1
AV-F12020LS24	Sleeve	24	21.6~26.4	0.13	1400	52.58	1.37	24.43	90.1
AV-F12020HB24	Ball	24	21.6~26.4	0.23	2000	79.75	2.57	32.48	90.1
AV-F12020MB24	Ball	24	21.6~26.4	0.18	1700	66.05	2.01	28.00	90.1
AV-F12020LB24	Ball	24	21.6~26.4	0.13	1400	52.58	1.37	24.43	90.1