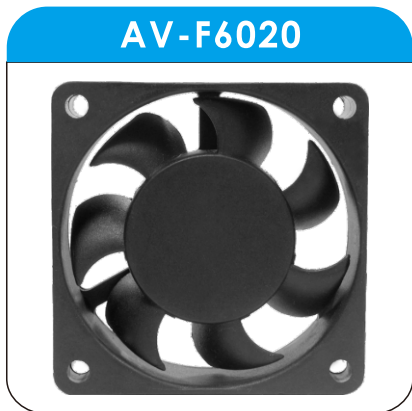


AV-F6020



SIZE:

60x60x20mm

construction:

Glass Fiber reinforced plastic;
Impeller and housing PBT

OPERATING TEMPERATURE:

Sleeve bearing -10°C to +70°C

INSULATION RESISTANCE:

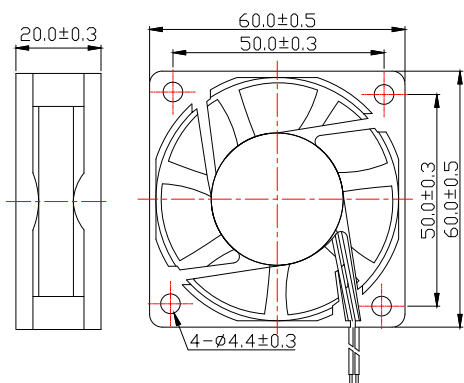
10meg Ohm min, at 500 VDC
(between frame and terminal)

DIELECTRIC STRENGTH:

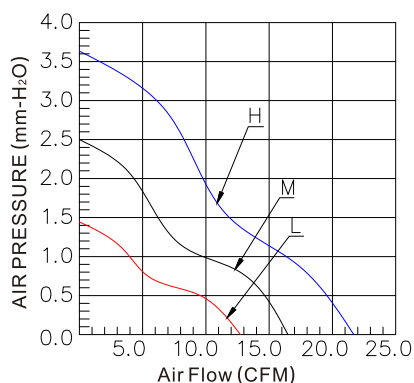
5mA max, at 500 VAC 60Hz one minute
(between frame and terminal)

Dimensions Drawing

Unit:mm



Characteristic Curves



Specifications

Carton Specifications (Unit: cm):40x22x32 QTY:300pcs GW:13.5Kg

Model	Bearing Type	Rated Voltage	Operation Voltage	Current	Speed	Air Flow	Static Pressure	Noise Level	Weight
		VDC	VDC	A	RPM	CFM	mmH ₂ O	dBA	g
AV-F6020HS	Sleeve	12	10.8~13.2	0.15	4000	20.28	3.65	29.04	42.5
AV-F6020MS	Sleeve	12	10.8~13.2	0.10	3300	16.50	2.50	23.85	42.5
AV-F6020LS	Sleeve	12	10.8~13.2	0.07	2500	12.31	1.45	21.35	42.5
AV-F6020HB	Ball	12	10.8~13.2	0.15	4000	20.28	3.65	29.04	42.5
AV-F6020MB	Ball	12	10.8~13.2	0.10	3300	16.50	2.50	23.85	42.5
AV-F6020LB	Ball	12	10.8~13.2	0.07	2500	12.31	1.45	21.35	42.5
AV-F6020HS24	Sleeve	24	21.6~26.4	0.12	4000	20.28	3.65	29.04	42.5
AV-F6020MS24	Sleeve	24	21.6~26.4	0.08	3300	16.50	2.50	23.85	42.5
AV-F6020LS24	Sleeve	24	21.6~26.4	0.05	2500	12.31	1.45	21.35	42.5
AV-F6020HB24	Ball	24	21.6~26.4	0.12	4000	20.28	3.65	29.04	42.5
AV-F6020MB24	Ball	24	21.6~26.4	0.08	3300	16.50	2.50	23.85	42.5
AV-F6020LB24	Ball	24	21.6~26.4	0.05	2500	12.31	1.45	21.35	42.5