

AV-F5010



SIZE:

50x50x10mm

construction:

Glass Fiber reinforced plastic;
Impeller and housing PBT

OPERATING TEMPERATURE:

Sleeve bearing -10°C to +70°C

INSULATION RESISTANCE:

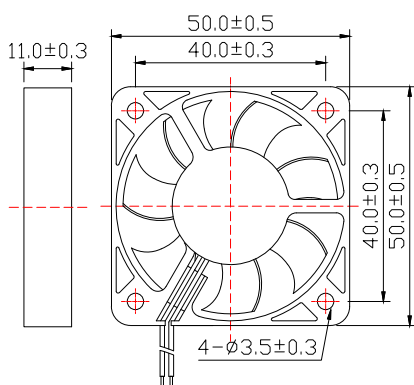
10meg Ohm min, at 500 VDC
(between frame and terminal)

DIELECTRIC STRENGTH:

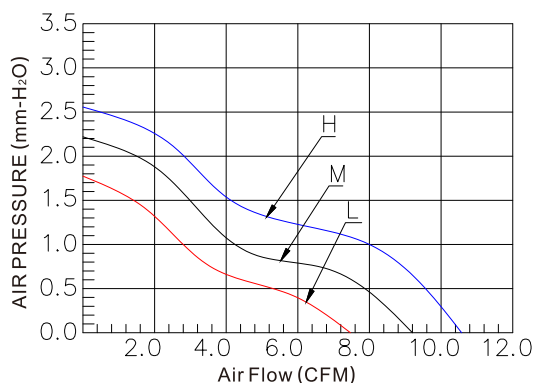
5mA max, at 500 VAC 60Hz one minute
(between frame and terminal)

Dimensions Drawing

Unit:mm



Characteristic Curves



Specifications

Carton Specifications (Unit: cm):44x22x28 QTY:600pcs GW:12.75Kg

Model	Bearing Type	Rated Voltage	Operation Voltage	Current	Speed	Air Flow	Static Pressure	Noise Level	Weight
		VDC	VDC	A	RPM	CFM	mmH ₂ O	dBA	g
AV-F5010HS05	Sleeve	5	4.5~5.5	0.25	5000	10.43	2.52	28.44	20
AV-F5010MS05	Sleeve	5	4.5~5.5	0.20	4500	9.42	2.27	26.09	20
AV-F5010LS05	Sleeve	5	4.5~5.5	0.15	3500	7.30	1.77	20.82	20
AV-F5010HB05	Ball	5	4.5~5.5	0.25	5000	10.43	2.52	28.44	20
AV-F5010MB05	Ball	5	4.5~5.5	0.20	4500	9.42	2.27	26.09	20
AV-F5010LB05	Ball	5	4.5~5.5	0.15	3500	7.30	1.77	20.82	20
AV-F5010HS	Sleeve	12	10.8~13.2	0.16	5000	10.43	2.52	28.44	20
AV-F5010MS	Sleeve	12	10.8~13.2	0.12	4500	9.42	2.27	26.09	20
AV-F5010LS	Sleeve	12	10.8~13.2	0.08	3500	7.30	1.77	20.82	20
AV-F5010HB	Ball	12	10.8~13.2	0.16	5000	10.43	2.52	28.44	20
AV-F5010MB	Ball	12	10.8~13.2	0.12	4500	9.42	2.27	26.09	20
AV-F5010LB	Ball	12	10.8~13.2	0.08	3500	7.30	1.77	20.82	20