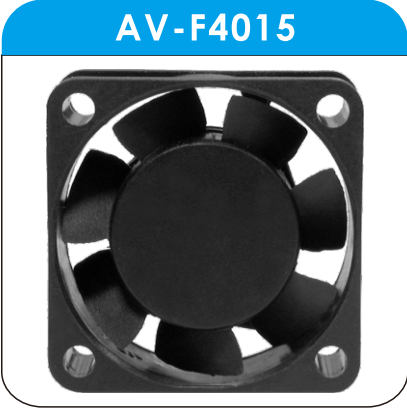


AV-F4015



SIZE:

40x40x15mm

construction:

Glass Fiber reinforced plastic;
Impeller and housing PBT

OPERATING TEMPERATURE:

Sleeve bearing -10°C to +70°C

INSULATION RESISTANCE:

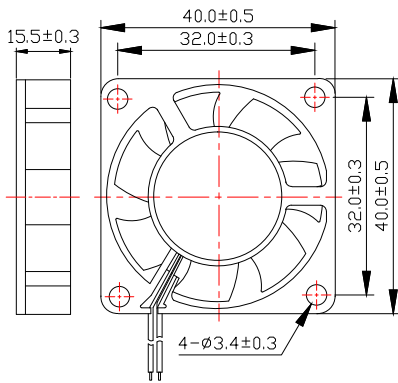
10meg Ohm min, at 500 VDC
(between frame and terminal)

DIELECTRIC STRENGTH:

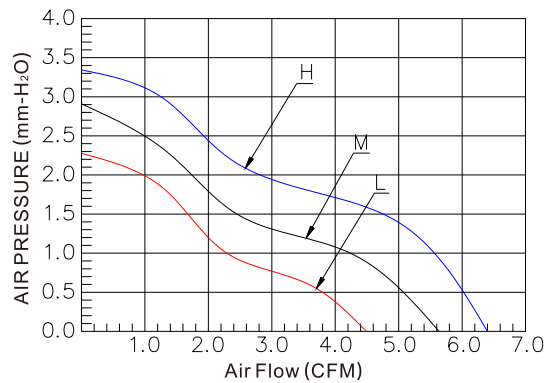
5mA max, at 500 VAC 60Hz one minute
(between frame and terminal)

Dimensions Drawing

Unit:mm



Characteristic Curves



Specifications

Carton Specifications (Unit: cm):44x33x22 QTY:1000pcs GW:22.65Kg

Model	Bearing Type	Rated Voltage	Operation Voltage	Current	Speed	Air Flow	Static Pressure	Noise Level	Weight
		VDC	VDC	A	RPM	CFM	mmH ₂ O	dBA	g
AV-F4015HS05	Sleeve	5	4.5~5.5	0.24	6000	6.40	3.31	26.26	21.9
AV-F4015MS05	Sleeve	5	4.5~5.5	0.18	5400	5.62	2.91	24.87	21.9
AV-F4015LS05	Sleeve	5	4.5~5.5	0.12	4200	4.48	2.32	21.13	21.9
AV-F4015HB05	Ball	5	4.5~5.5	0.24	6000	6.40	3.31	26.26	21.9
AV-F4015MB05	Ball	5	4.5~5.5	0.18	5400	5.62	2.91	24.87	21.9
AV-F4015LB05	Ball	5	4.5~5.5	0.12	4200	4.48	2.32	21.13	21.9
AV-F4015HS	Sleeve	12	10.8~13.2	0.10	6000	6.40	3.31	26.26	21.9
AV-F4015MS	Sleeve	12	10.8~13.2	0.08	5400	5.62	2.91	24.87	21.9
AV-F4015LS	Sleeve	12	10.8~13.2	0.06	4200	4.48	2.32	21.13	21.9
AV-F4015HB	Ball	12	10.8~13.2	0.10	6000	6.40	3.31	26.26	21.9
AV-F4015MB	Ball	12	10.8~13.2	0.08	5400	5.62	2.91	24.87	21.9
AV-F4015LB	Ball	12	10.8~13.2	0.06	4200	4.48	2.32	21.13	21.9