

## AV-F3510



### SIZE:

35x35x10mm

### construction:

Glass Fiber reinforced plastic;  
Impeller and housing PBT

### OPERATING TEMPERATURE:

Sleeve bearing -10°C to +70°C

### INSULATION RESISTANCE:

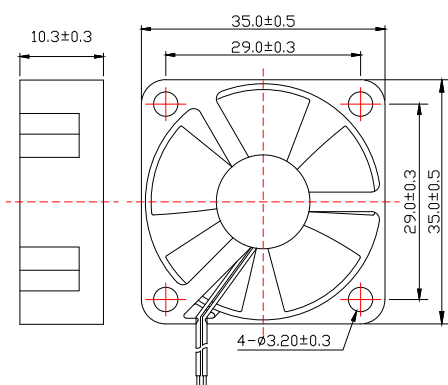
10meg Ohm min, at 500 VDC  
(between frame and terminal)

### DIELECTRIC STRENGTH:

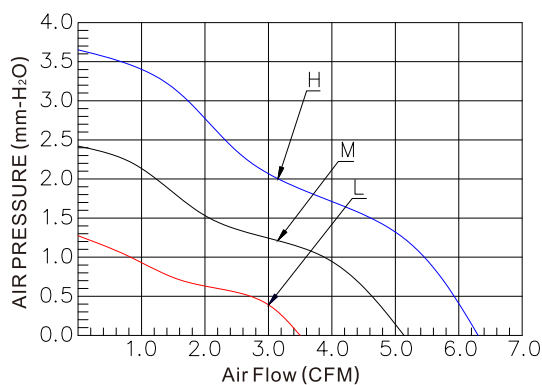
5mA max, at 500 VAC 60Hz one minute  
(between frame and terminal)

### Dimensions Drawing

Unit:mm



### Characteristic Curves



### Specifications

Carton Specifications (Unit: cm):34x25.2x26 QTY:1000pcs GW:11.25Kg

Model	Bearing Type	Rated Voltage	Operation Voltage	Current	Speed	Air Flow	Static Pressure	Noise Level	Weight
		VDC	VDC	A	RPM	CFM	mmH <sub>2</sub> O	dBA	g
AV-F3510HS05	Sleeve	5	4.5~5.5	0.23	9000	6.30	3.68	32.37	10
AV-F3510MS05	Sleeve	5	4.5~5.5	0.22	7000	5.06	2.44	25.88	10
AV-F3510LS05	Sleeve	5	4.5~5.5	0.13	5000	3.51	1.28	20.26	10
AV-F3510HB05	Ball	5	4.5~5.5	0.23	9000	6.30	3.68	32.37	10
AV-F3510MB05	Ball	5	4.5~5.5	0.22	7000	5.06	2.44	25.88	10
AV-F3510LB05	Ball	5	4.5~5.5	0.13	5000	3.51	1.28	20.26	10
AV-F3510HS	Sleeve	12	10.8~13.2	0.14	9000	6.30	3.68	32.37	10
AV-F3510MS	Sleeve	12	10.8~13.2	0.11	7000	5.06	2.44	25.88	10
AV-F3510LS	Sleeve	12	10.8~13.2	0.08	5000	3.51	1.28	20.26	10
AV-F3510HB	Ball	12	10.8~13.2	0.14	9000	6.30	3.68	32.37	10
AV-F3510MB	Ball	12	10.8~13.2	0.11	7000	5.06	2.44	25.88	10
AV-F3510LB	Ball	12	10.8~13.2	0.08	5000	3.51	1.28	20.26	10