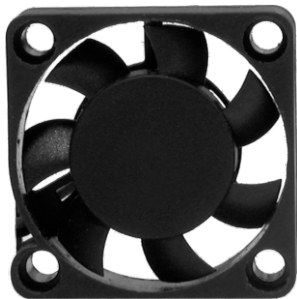


## AV-3007



**SIZE:**

30x30x7mm

**construction:**

Glass Fiber reinforced plastic;  
Impeller and housing PBT

**OPERATING TEMPERATURE:**

Sleeve bearing -10°C to +70°C

**INSULATION RESISTANCE:**

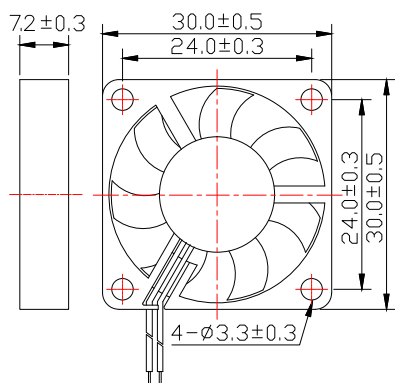
10meg Ohm min, at 500 VDC  
(between frame and terminal)

**DIELECTRIC STRENGTH:**

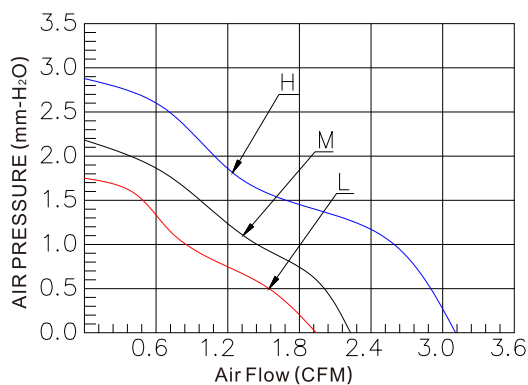
5mA max, at 500 VAC 60Hz one minute  
(between frame and terminal)

### Dimensions Drawing

Unit:mm



### Characteristic Curves



### Specifications

Carton Specifications (Unit: cm):45x27x18 QTY:1000pcs GW:8.35Kg

Model	Bearing Type	Rated Voltage	Operation Voltage	Current	Speed	Air Flow	Static Pressure	Noise Level	Weight
		VDC	VDC	A	RPM	CFM	mmH <sub>2</sub> O	dBA	g
AV-F3007HS05	Sleeve	5	4.5~5.5	0.20	8000	3.09	2.87	25.44	8
AV-F3007MS05	Sleeve	5	4.5~5.5	0.16	6000	2.32	2.15	21.25	8
AV-F3007LS05	Sleeve	5	4.5~5.5	0.12	5000	1.93	1.79	20.11	8
AV-F3007HB05	Ball	5	4.5~5.5	0.20	8000	3.09	2.87	25.44	8
AV-F3007MB05	Ball	5	4.5~5.5	0.16	6000	2.32	2.15	21.25	8
AV-F3007LB05	Ball	5	4.5~5.5	0.12	5000	1.93	1.79	20.11	8
AV-F3007HS	Sleeve	12	10.8~13.2	0.12	8000	3.09	2.87	25.44	8
AV-F3007MS	Sleeve	12	10.8~13.2	0.10	6000	2.32	2.15	21.25	8
AV-F3007LS	Sleeve	12	10.8~13.2	0.08	5000	1.93	1.79	20.11	8
AV-F3007HB	Ball	12	10.8~13.2	0.12	8000	3.09	2.87	25.44	8
AV-F3007MB	Ball	12	10.8~13.2	0.10	6000	2.32	2.15	21.25	8
AV-F3007LB	Ball	12	10.8~13.2	0.08	5000	1.93	1.79	20.11	8