

AV-A22060



SIZE:

Φ220x60mm

construction:

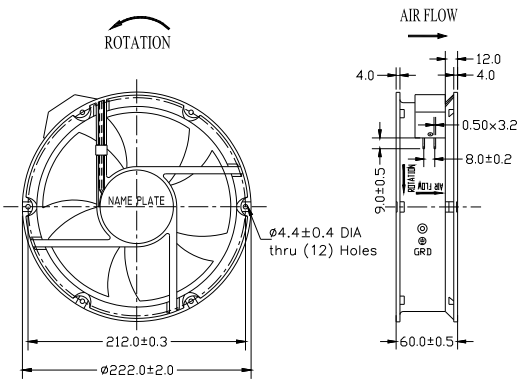
- Die -cast aluminum housing
- Glass fiber reinforced plastic: Impeller
- Shaded pole motor
- Impedance protected
- Leader wire or terminal is available

OPERATING TEMPERATURE:

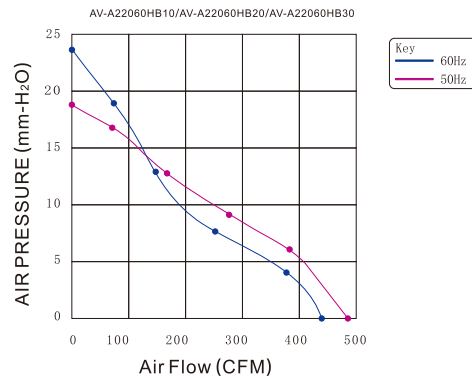
- Ball bearing -30°C to +75°C
- Sleeve bearing -10°C to +70°C

Dimensions Drawing

Unit:mm



Characteristic Curves



Specifications

Model	Bearing Type	Rated Voltage	Fre-	Current	Power	Speed	Noise Level	Air Flow		Static Pressure	Weight
		VAC	Hz	A	W	RPM	dBA	M ³ /min	CFM	mmH ₂ O	g
AV-A22060HB10	Ball	115	50/60	0.76/0.77	57/58	2400	56	11	388	25.4	1400
AV-A22060HB10C	Ball	115	50/60	0.42/0.46	50/60	2800/3200	61/66	11.32/12.74	400/450	28/36	1540
AV-A22060HB20	Ball	220~240	50/60	0.28/0.29	42/38	2400	56	11	388	25.4	1400
AV-A22060HB20C	Ball	220~240	50/60	0.26/0.26	50/60	2800/3200	61/66	11.32/12.74	400/450	28/36	1540
AV-A22060HB30	Ball	380	50	0.16	47	2400	56	11	388	25.4	1400
AV-A22060HB30C	Ball	380	50	0.16	50	2800	61	11.32	400	28	1540