

AV-A17251



SIZE:

172x150x51mm

construction:

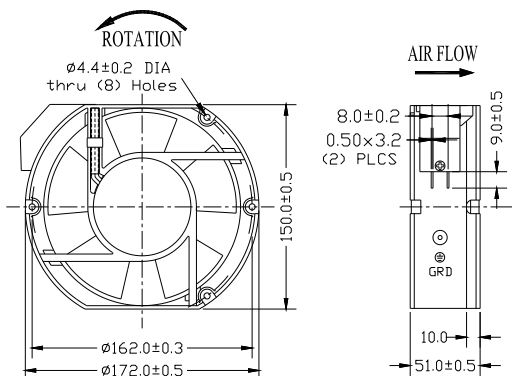
- Die -cast aluminum housing
- Glass fiber reinforced plastic: Impeller
- Shaded pole motor
- Impedance protected
- Leader wire or terminal is available

OPERATING TEMPERATURE:

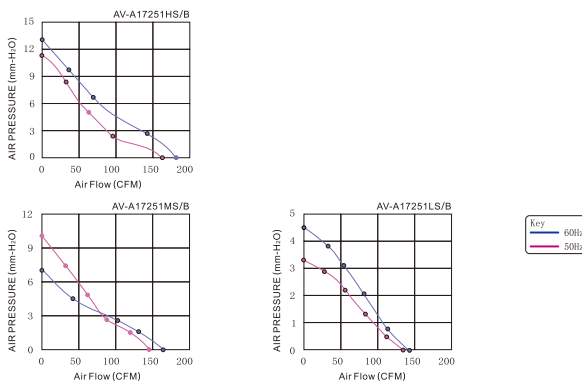
Ball bearing -30°C to +75°C
Sleeve bearing -10°C to +70°C

Dimensions Drawing

Unit:mm



Characteristic Curves



Specifications

Model	Bearing Type	Rated Voltage	Fre-	Current	Power	Speed	Noise Level	Air Flow		Static Pressure	Weight
		VAC	Hz	A	W	RPM	dBA	M ³ /min	CFM	mmH ₂ O	g
AV-A17251HB10	Ball	115	50/60	0.50/0.45	37/36	2700/3100	45/50	5.37/6.65	190/235	16.0/17.78	908
AV-A17251HS10	Sleeve	115	50/60	0.50/0.45	37/36	2700/3100	45/50	5.37/6.65	190/235	16.0/17.78	908
AV-A17251MB10	Ball	115	50/60	0.41/0.39	32/30	2400/2300	41/40	4.0/4.5	170/160	15/14	908
AV-A17251MS10	Sleeve	115	50/60	0.41/0.39	32/30	2400/2300	41/40	4.0/4.5	170/160	15/14	908
AV-A17251LB10	Ball	115	50/60	0.35/0.35	26/25	1900/1500	32/30	3.5/3.0	125/105	8/6	908
AV-A17251LS10	Sleeve	115	50/60	0.35/0.35	26/25	1900/1500	32/30	3.5/3.0	125/105	8/6	908
AV-A17251HB20	Ball	220~240	50/60	0.22/0.21	34/33	2700/3100	45/50	5.37/6.65	190/235	16.0/17.78	908
AV-A17251HS20	Sleeve	220~240	50/60	0.22/0.21	34/33	2700/3100	45/50	5.37/6.65	190/235	16.0/17.78	908
AV-A17251MB20	Ball	220~240	50/60	0.19/0.18	30/28	2400/2300	41/40	4.0/4.5	170/160	15/14	908
AV-A17251MS20	Sleeve	220~240	50/60	0.19/0.18	30/28	2400/2300	41/40	4.0/4.5	170/160	15/14	908
AV-A17251LB20	Ball	220~240	50/60	0.16/0.16	26/25	1900/1500	32/30	3.5/3.0	125/105	8/6	908
AV-A17251LS20	Sleeve	220~240	50/60	0.16/0.16	26/25	1900/1500	32/30	3.5/3.0	125/105	8/6	908
AV-A17251HB30	Ball	380	50	0.11	34	2700	45	5.37	190	15	908
AV-A17251HS30	Sleeve	380	50	0.11	34	2700	45	5.37	190	15	908