

AV-A12038(7)



SIZE:

120x120x38mm

construction:

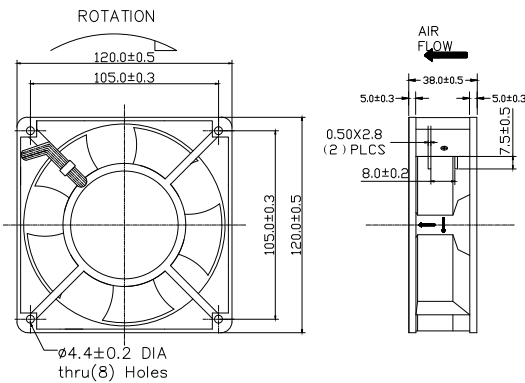
- Die -cast aluminum housing
- Glass fiber reinforced plastic: Impeller
- Shaded pole motor
- Impedance protected
- Leader wire or terminal is available

OPERATING TEMPERATURE:

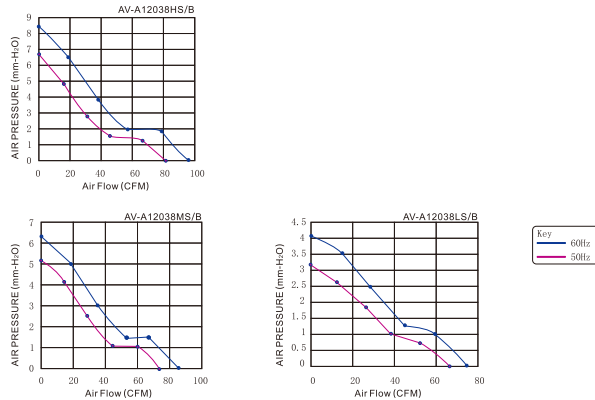
Ball bearing -30°C to +75°C
Sleeve bearing -10°C to +70°C

Dimensions Drawing

Unit:mm



Characteristic Curves



Specifications

Model	Bearing Type	Rated Voltage	Fre-	Current	Power	Speed	Noise Level	Air Flow	Static Pressure	Weight
		VAC	Hz	A	W	RPM	dBA	M ³ /min CFM	mmH ₂ O	
AV-A12038HB10	Ball	115	50/60	0.22/0.18	21/18	2550/2900	40/45	2.72/3.37 96/119	6.67/8.01	540
AV-A12038HS10	Sleeve	115	50/60	0.22/0.18	21/18	2550/2900	40/45	2.72/3.37 96/119	6.67/8.01	540
AV-A12038MB10	Ball	115	50/60	0.17/0.15	16/14	2400/2200	37/35	2.4/2.21 85/78	4.9/4.5	540
AV-A12038MS10	Sleeve	115	50/60	0.17/0.15	16/14	2400/2200	37/35	2.4/2.21 85/78	4.9/4.5	540
AV-A12038LB10	Ball	115	50/60	0.14/0.12	12/10.5	2000/1800	30/29	2.00/1.93 74/68	4.0/3.7	540
AV-A12038LS10	Sleeve	115	50/60	0.14/0.12	12/10.5	2000/1800	30/29	2.00/1.93 74/68	4.0/3.7	540
AV-A12038HB20	Ball	220~240	50/60	0.12/0.11	20/19	2550/2900	40/45	2.72/3.37 96/119	6.67/8.01	540
AV-A12038HS20	Sleeve	220~240	50/60	0.12/0.11	20/19	2550/2900	40/45	2.72/3.37 96/119	6.67/8.01	540
AV-A12038MB20	Ball	220~240	50/60	0.09/0.08	16/14	2400/2200	37/35	2.4/2.21 85/78	4.9/4.5	540
AV-A12038MS20	Sleeve	220~240	50/60	0.09/0.08	16/14	2400/2200	37/35	2.4/2.21 85/78	4.9/4.5	540
AV-A12038LB20	Ball	220~240	50/60	0.08/0.08	12/10.5	2000/1800	30/29	2.00/1.93 74/68	4.0/3.7	540
AV-A12038LS20	Sleeve	220~240	50/60	0.08/0.08	12/10.5	2000/1800	30/29	2.00/1.93 74/68	4.0/3.7	540
AV-A12038HB30	Ball	380	50	0.06	18	2550	40	2.72 96	6.67	540
AV-A12038HS30	Sleeve	380	50	0.06	18	2550	40	2.72 96	6.67	540