

AV-A12038(5)



SIZE:

120x120x38mm

construction:

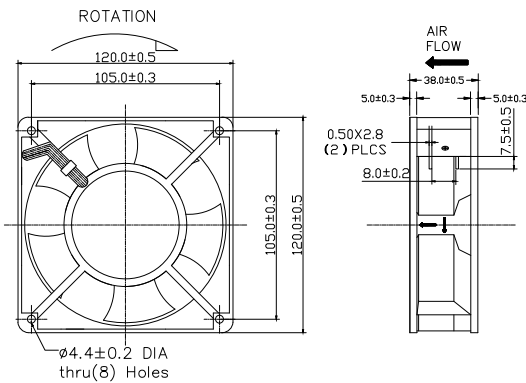
- Die -cast aluminum housing
- Glass fiber reinforced plastic: Impeller
- Shaded pole motor
- Impedance protected
- Leader wire or terminal is available

OPERATING TEMPERATURE:

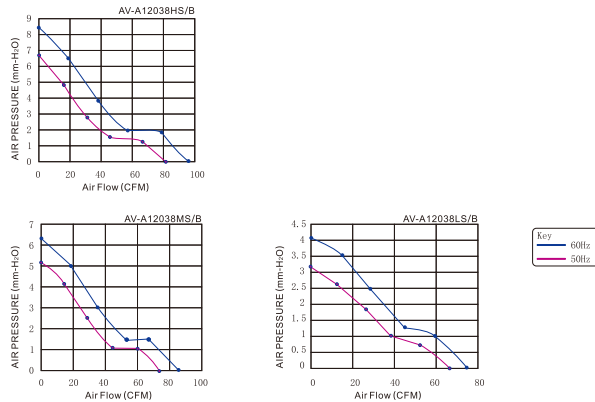
Ball bearing -30°C to +75°C
Sleeve bearing -10°C to +70°C

Dimensions Drawing

Unit:mm



Characteristic Curves



Specifications

Model	Bearing Type	Rated Voltage	Fre-	Current	Power	Speed	Noise Level	Air Flow		Static Pressure	Weight
		VAC	Hz	A	W	RPM	dBA	M ³ /min	CFM	mmH ₂ O	g
AV-A12038HB10	Ball	115	50/60	0.22/0.18	21/18	2650/2950	40/45	2.58/3.20	91/113	6.35/7.62	540
AV-A12038HS10	Sleeve	115	50/60	0.22/0.18	21/18	2650/2950	40/45	2.58/3.20	91/113	6.35/7.62	540
AV-A12038MB10	Ball	115	50/60	0.17/0.15	16/14	2400/2200	37/35	2.1/2.0	75/70	5.6/5.0	540
AV-A12038MS10	Sleeve	115	50/60	0.17/0.15	16/14	2400/2200	37/35	2.1/2.0	75/70	5.6/5.0	540
AV-A12038LB10	Ball	115	50/60	0.14/0.12	12/10.5	2000/1800	30/29	1.87/1.70	66/60	4.8/4.5	540
AV-A12038LS10	Sleeve	115	50/60	0.14/0.12	12/10.5	2000/1800	30/29	1.87/1.70	66/60	4.8/4.5	540
AV-A12038HB20	Ball	220~240	50/60	0.12/0.11	21/18	2650/2950	40/45	2.58/3.20	91/113	6.35/7.62	540
AV-A12038HS20	Sleeve	220~240	50/60	0.12/0.11	21/18	2650/2950	40/45	2.58/3.20	91/113	6.35/7.62	540
AV-A12038MB20	Ball	220~240	50/60	0.09/0.08	16/14	2400/2200	37/35	2.1/2.0	75/70	5.6/5.0	540
AV-A12038MS20	Sleeve	220~240	50/60	0.09/0.08	16/14	2400/2200	37/35	2.1/2.0	75/70	5.6/5.0	540
AV-A12038LB20	Ball	220~240	50/60	0.08/0.08	12/10.5	2000/1800	30/29	1.87/1.70	66/60	4.8/4.5	540
AV-A12038LS20	Sleeve	220~240	50/60	0.08/0.08	12/10.5	2000/1800	30/29	1.87/1.70	66/60	4.8/4.5	540
AV-A12038HB30	Ball	380	50	0.07	18	2600	40	2.58	91	6.35	540
AV-A12038HS30	Sleeve	380	50	0.07	18	2600	40	2.58	91	6.35	540