

## AV-A12025



### SIZE:

120x120x25mm

### construction:

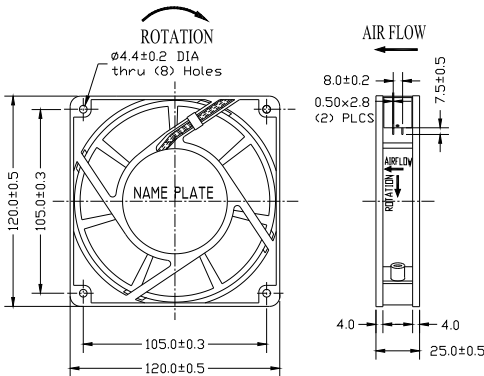
- Die -cast aluminum housing
- Glass fiber reinforced plastic: Impeller
- Shaded pole motor
- Impedance protected
- Leader wire or terminal is available

### OPERATING TEMPERATURE:

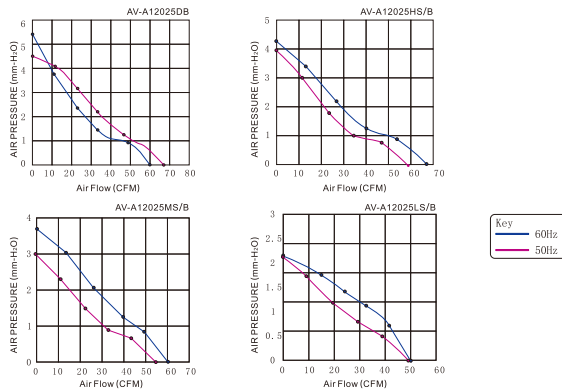
- Ball bearing -30°C to +75°C
- Sleeve bearing -10°C to +70°C

### Dimensions Drawing

Unit:mm



### Characteristic Curves



### Specifications

Model	Bearing Type	Rated Voltage	Fre-	Current	Power	Speed	Noise Level	Air Flow		Static Pressure	Weight
		VAC	Hz	A	W	RPM	dBA	M <sup>3</sup> /min	CFM	mmH <sub>2</sub> O	g
AV-A12025HB10	Ball	115	50/60	0.19/0.18	19/18	2200/2400	38/40	1.87/2.21	66/78	3.56/4.06	370
AV-A12025HS10	Sleeve	115	50/60	0.19/0.18	19/18	2200/2400	38/40	1.87/2.21	66/78	3.56/4.06	370
AV-A12025MB10	Ball	115	50/60	0.16/0.15	16/15	2000/2000	35/35	1.64/1.64	58/58	3.0/3.2	370
AV-A12025MS10	Sleeve	115	50/60	0.16/0.15	16/15	2000/2000	35/35	1.64/1.64	58/58	3.0/3.2	370
AV-A12025LB10	Ball	115	50/60	0.13/0.11	14/13	1800/1700	30/29	1.40/1.36	50/48	2.78/2.68	370
AV-A12025LS10	Sleeve	115	50/60	0.13/0.11	14/13	1800/1700	30/29	1.40/1.36	50/48	2.78/2.68	370
AV-A12025HB20	Ball	220~240	50/60	0.09/0.09	19/18	2200/2400	38/40	1.87/2.21	66/78	3.56/4.06	370
AV-A12025HS20	Sleeve	220~240	50/60	0.09/0.09	19/18	2200/2400	38/40	1.87/2.21	66/78	3.56/4.06	370
AV-A12025MB20	Ball	220~240	50/60	0.07/0.07	16/15	2000/2000	35/35	1.64/1.64	58/58	3.0/3.2	370
AV-A12025MS20	Sleeve	220~240	50/60	0.07/0.07	16/15	2000/2000	35/35	1.64/1.64	58/58	3.0/3.2	370
AV-A12025LB20	Ball	220~240	50/60	0.05/0.05	14/13	1800/1700	30/29	1.40/1.36	50/48	2.78/2.68	370
AV-A12025LS20	Sleeve	220~240	50/60	0.05/0.05	14/13	1800/1700	30/29	1.40/1.36	50/48	2.78/2.68	370
AV-A12025HB30	Ball	380	50	0.06	14	2200	38	1.87	66	3.56	370
AV-A12025HS30	Sleeve	380	50	0.06	14	2200	38	1.87	66	3.56	370