

AV-F7530



SIZE:

75x75x30mm

construction:

Glass Fiber reinforced plastic;
Impeller and housing PBT

OPERATING TEMPERATURE:

Sleeve bearing -10°C to +70°C

INSULATION RESISTANCE:

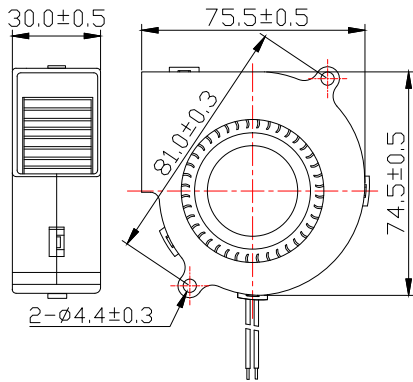
10meg Ohm min, at 500 VDC
(between frame and terminal)

DIELECTRIC STRENGTH:

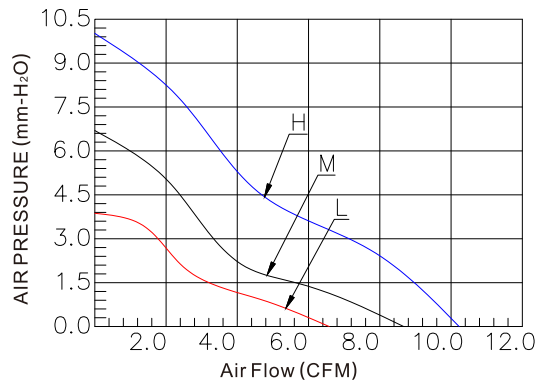
5mA max, at 500 VAC 60Hz one minute
(between frame and terminal)

| Dimensions Drawing

Unit:mm



| Characteristic Curves



| Specifications

Model	Bearing Type	Rated Voltage	Operation Voltage	Current	Speed	Air Flow	Static Pressure	Noise Level	Weight
		VDC	VDC						
AV-F7530HS	Sleeve	12	10.8~13.2	0.50	3000	10.50	9.80	37.50	76
AV-F7530MS	Sleeve	12	10.8~13.2	0.40	2500	8.80	6.60	35.50	76
AV-F7530LS	Sleeve	12	10.8~13.2	0.30	2000	7.10	3.90	27.50	76
AV-F7530HB	Ball	12	10.8~13.2	0.50	3000	10.50	9.80	37.50	76
AV-F7530MB	Ball	12	10.8~13.2	0.40	2500	8.80	6.60	35.50	76
AV-F7530LB	Ball	12	10.8~13.2	0.30	2000	7.10	3.90	27.50	76
AV-F7530HS24	Sleeve	24	21.6~26.4	0.30	3000	10.50	9.80	37.50	76
AV-F7530MS24	Sleeve	24	21.6~26.4	0.24	2500	8.80	6.60	35.50	76
AV-F7530LS24	Sleeve	24	21.6~26.4	0.18	2000	7.10	3.90	27.50	76
AV-F7530HB24	Ball	24	21.6~26.4	0.30	3000	10.50	9.80	37.50	76
AV-F7530MB24	Ball	24	21.6~26.4	0.24	2500	8.80	6.60	35.50	76
AV-F7530LB24	Ball	24	21.6~26.4	0.18	2000	7.10	3.90	27.50	76