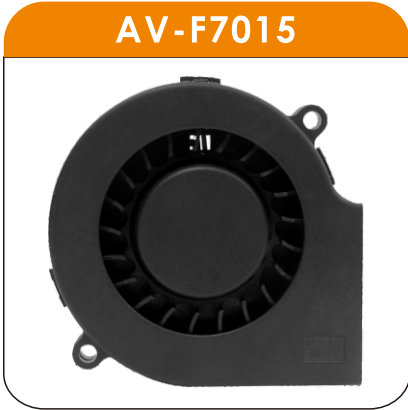


## AV-F7015



**SIZE:**

70x70x15mm

**construction:**

Glass Fiber reinforced plastic;  
Impeller and housing PBT

**OPERATING TEMPERATURE:**

Sleeve bearing -10°C to +70°C

**INSULATION RESISTANCE:**

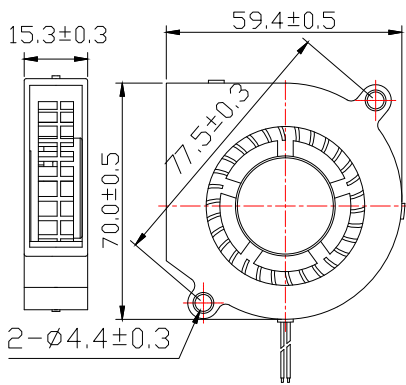
10meg Ohm min, at 500 VDC  
(between frame and terminal)

**DIELECTRIC STRENGTH:**

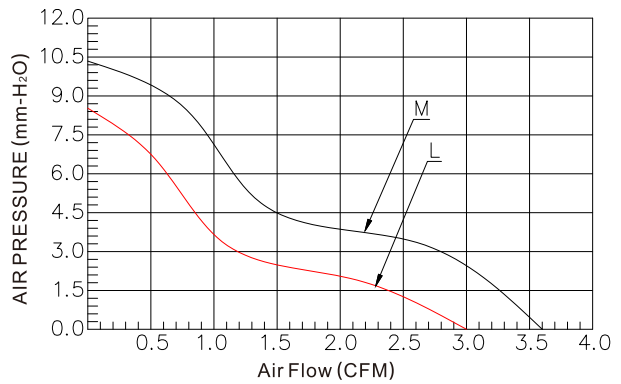
5mA max, at 500 VAC 60Hz one minute  
(between frame and terminal)

### | Dimensions Drawing

Unit:mm



### | Characteristic Curves



### | Specifications

Model	Bearing Type	Rated Voltage	Operation Voltage	Current	Speed	Air Flow	Static Pressure	Noise Level	Weight
		VDC	VDC	A	RPM	CFM	mmH <sub>2</sub> O	dBA	g
AV-F7015MS05	Sleeve	5	4.5~5.5	0.35	3500	3.60	10.02	33.50	35
AV-F7015LS05	Sleeve	5	4.5~5.5	0.12	2800	3.00	7.92	28.20	35
AV-F7015MS	Sleeve	12	10.8~13.2	0.20	3500	3.60	10.02	33.50	35
AV-F7015LS	Sleeve	12	10.8~13.2	0.16	2800	3.00	7.92	28.20	35