

## AV-F5015



**SIZE:**

50x50x15mm

**construction:**

Glass Fiber reinforced plastic;  
Impeller and housing PBT

**OPERATING TEMPERATURE:**

Sleeve bearing -10°C to +70°C

**INSULATION RESISTANCE:**

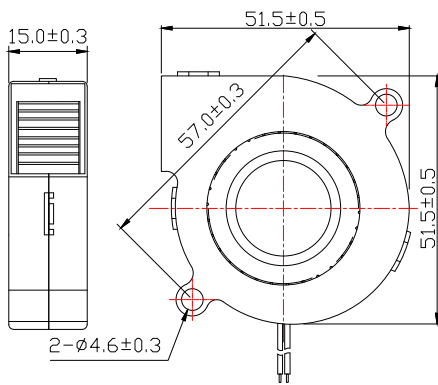
10meg Ohm min, at 500 VDC  
(between frame and terminal)

**DIELECTRIC STRENGTH:**

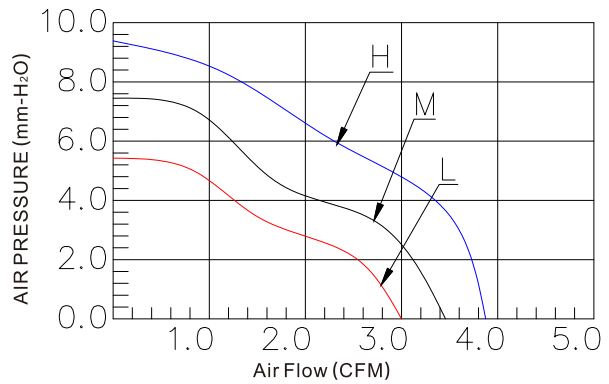
5mA max, at 500 VAC 60Hz one minute  
(between frame and terminal)

### Dimensions Drawing

Unit:mm



### Characteristic Curves



### Specifications

Model	Bearing Type	Rated Voltage	Operation Voltage	Current	Speed	Air Flow	Static Pressure	Noise Level	Weight
		VDC	VDC	A	RPM	CFM	mmH <sub>2</sub> O	dBA	g
AV-F5015HS05	Sleeve	5	4.5~5.5	0.30	4200	3.92	9.05	35.00	25
AV-F5015MS05	Sleeve	5	4.5~5.5	0.23	3800	3.42	7.22	32.77	25
AV-F5015LS05	Sleeve	5	4.5~5.5	0.17	3500	3.00	5.50	31.00	25
AV-F5015HB05	Ball	5	4.5~5.5	0.30	4200	3.92	9.05	35.00	25
AV-F5015MB05	Ball	5	4.5~5.5	0.23	3800	3.42	7.22	32.77	25
AV-F5015LB05	Ball	5	4.5~5.5	0.17	3500	3.00	5.50	31.00	25
AV-F5015HS	Sleeve	12	10.8~13.2	0.16	4200	3.92	9.05	35.00	25
AV-F5015MS	Sleeve	12	10.8~13.2	0.12	3800	3.42	7.22	32.77	25
AV-F5015LS	Sleeve	12	10.8~13.2	0.08	3500	3.00	5.50	31.00	25
AV-F5015HB	Ball	12	10.8~13.2	0.16	4200	3.92	9.05	35.00	25
AV-F5015MB	Ball	12	10.8~13.2	0.12	3800	3.42	7.22	32.77	25
AV-F5015LB	Ball	12	10.8~13.2	0.08	3500	3.00	5.50	31.00	25