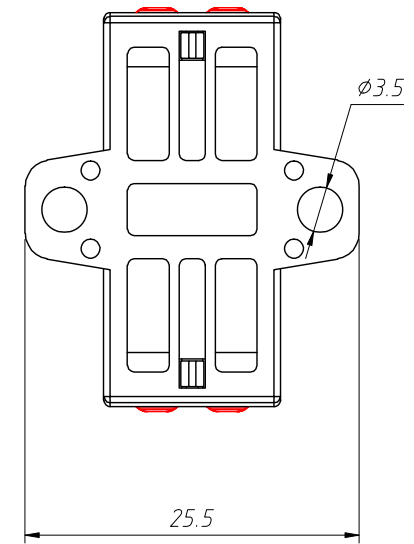
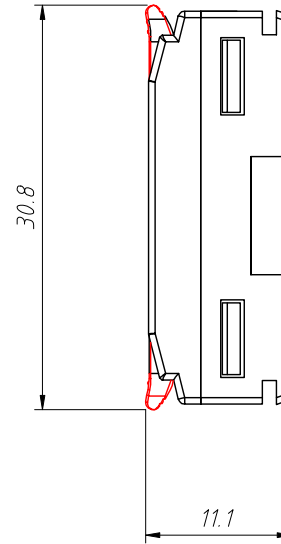
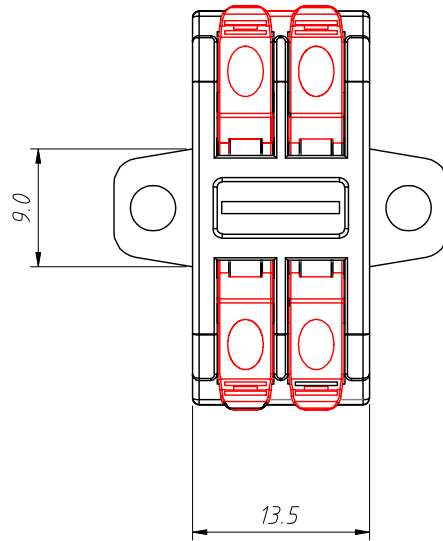
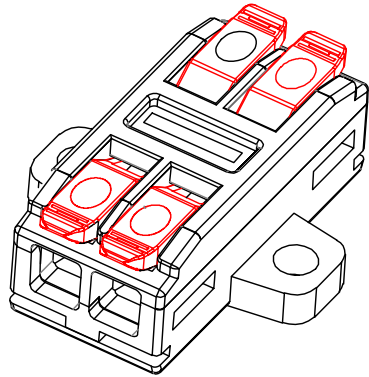


1 RoHS Compliance



Material:

Housing: PA66/PC, UL94V-0(2)

Contact: Brass, Tin plated

Spring clasp: 301 Imported stainless steel

Applicable wires: 13 ~ 28AWG

Electrical Characteristics:

Current rating: 32A

Voltage rating: 300V

Temperature range: -25°C ~ +95°C

Insulator Resistance: 1000MΩ Min

Contact Resistance: 0.015mΩ Max

Dimensional Be Smaller 5 Tolerance ±0.05mm

Order Information:

L-KLS2-L240-02-E

L: RoHS

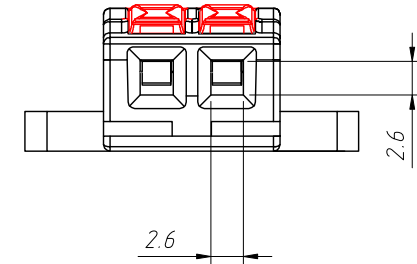
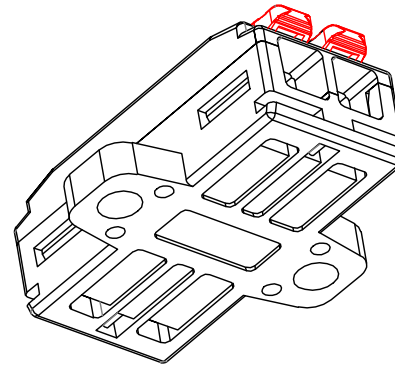
Serial No.

No. of 02 pins

Handle Color:

E-Orange press handle

D-Color press handle (02,03pins)

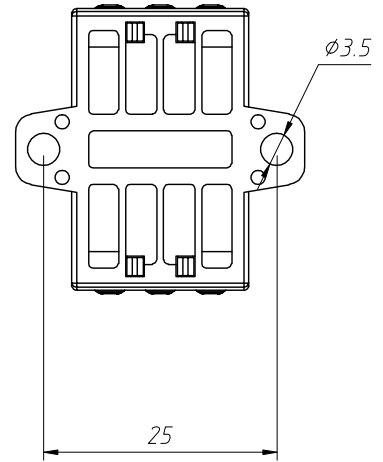
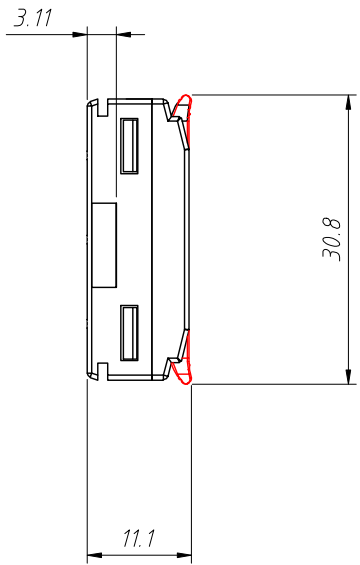
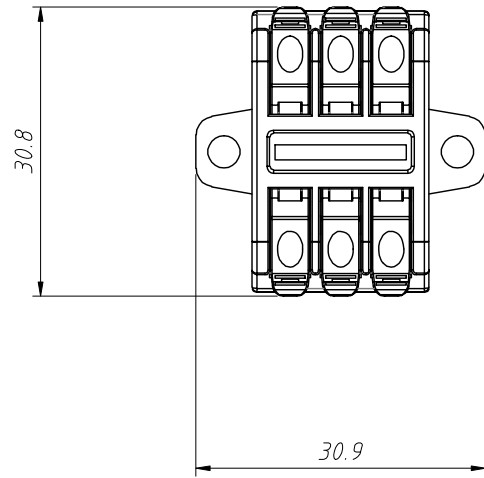
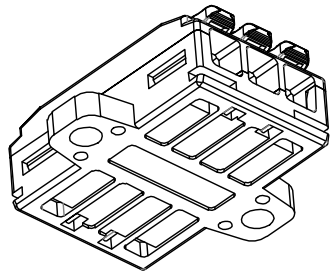


ANGLE TOLERANCE	PROJECTION	Description:
±3°		Din Rail Wire Splice Connectors, For 13-28AWG, 02 Pins
GENERAL TOLERANCE	UNITS	mm
x.x ±0.30	SHEET SIZE	A4
x.xx ±0.20	Draw:	Daniel 2020-11-11
x.xxx ±0.10	Check:	Daniel 2020-11-11



NingBo KLS ELECTRONIC CO.,LTD.

1
RoHS Compliance

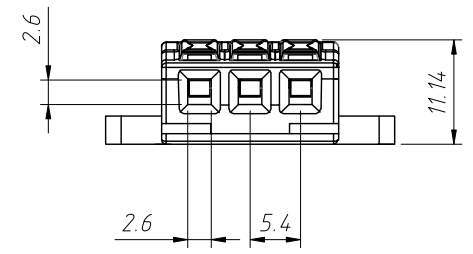
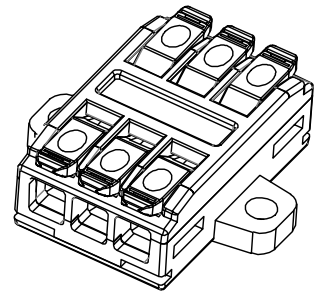


Material:
 Housing: PA66/PC, UL 94V-0(2)
 Contact: Brass, Tin plated
 Spring clasp: 301 Imported stainless steel
 Applicable wires: 13 ~ 28AWG

Electrical Characteristics:
 Current rating: 32A
 Voltage rating: 300V
 Temperature range: -25°C ~ +95°C
 Insulator Resistance: 1000MΩ Min
 Contact Resistance: 0.015mΩ Max
 Dimensional Be Smaller 5 Tolerance ±0.05mm

Order Information:
 L-KLS2-L240-03-D

L: RoHS
 Serial No.
 No. of 03 pins
 Handle Color:
 D-Color press handle (02,03pins)



ANGLE TOLERANCE	PROJECTION	Description:	Din Rail Wire Splice Connectors, For 13-28AWG, 03 Pins
±3°			
GENERAL TOLERANCE	UNITS	mm	KLS P/N: L-KLS2-L240-03-D
x.x ±0.30	SHEET SIZE	A4	NingBo KLS ELECTRONIC CO.,L TD.
x.xx ±0.20	Draw:	Daniel 2020-11-11	
x.xxx ±0.10	Check:	Daniel 2020-11-11	