

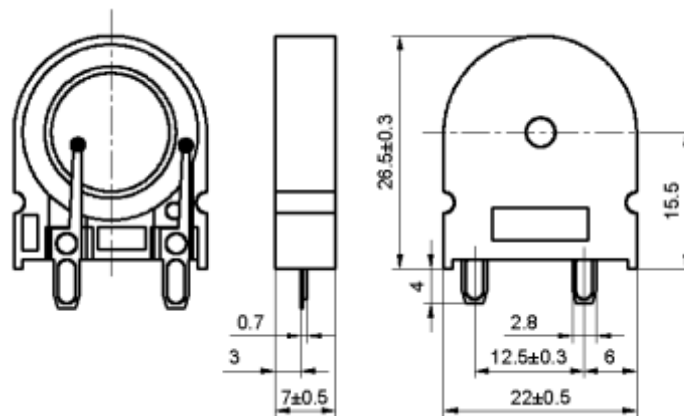
Externally driven piezo buzzer :L-KLS3-PT-22*07

No.	Technical terms	Value
1	Rated Voltage (Vp-p)	3 (3~12Vp-p Customizable)
2	Max Input Voltage(Vp-p)	30
3	Rated Current(mA)	≤5
4	Capacitance at 100Hz (pF)	20000±30%
5	Sound Output at 10cm(dB)	≥75
6	Resonance Frequency (KHz)	2.0±0.5
7	Operating Temperature(°C)	-20~+60
8	Storage Temperature(°C)	-30~+70
9	Weight (g)	2.5
10	Housing Material	PBT
11	RoHS	Yes

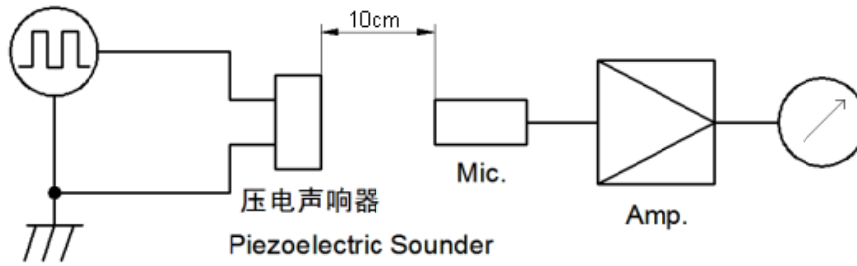
*Applying rated voltage (at 2.0KHz, 1/2 duty , square wave)

*Test Basic State: Temp(20±2°C),Humidity(40~70%RH),Air pressure(860~1060hPa).

DIMENSIONS (UNIT: mm) Tolerance: ±0.5mm Except Specified



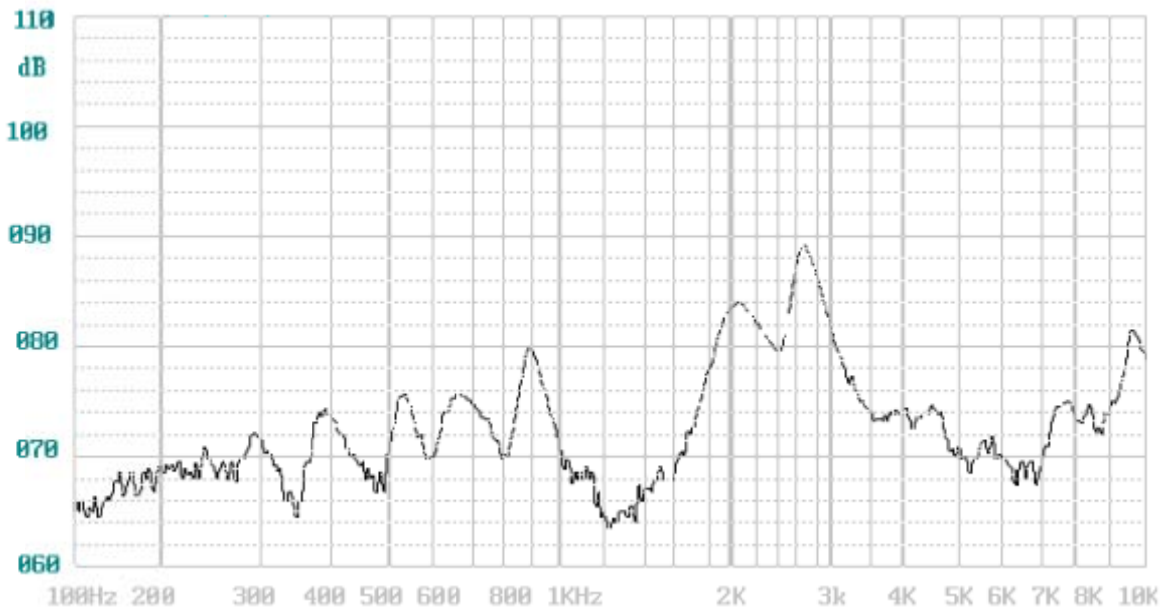
TEST METHOD:



MIC: ND10 普通声级计或等同品
 MIC: ND10 Sound Meter or equivalent

信号发生器: DF1641D或等同品
 Signal Generator: DF1641D or equivalent

FREQUENCY RESPONSE:



RELIABILITY TEST:

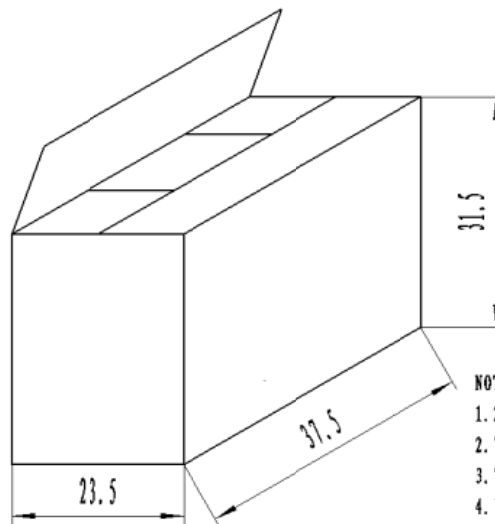
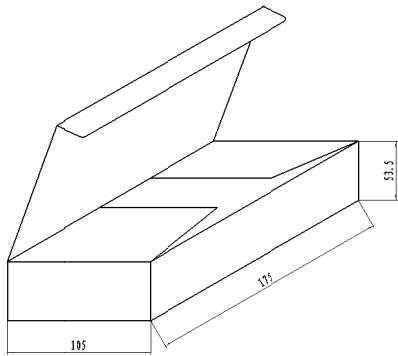
● Environment test:

No.	Item	Test condition	Evaluation standard
1	High temp. test	+70±2°C, 96Hrs	After being placed for 2 to 4hrs at room temp, the product shall meet specifications,except the SPL should be in ±10dB compared with initial one.
2	Low temp. test	-30±2°C, 96Hrs	
3	Humidity test	40±2°C ,93(+2/-3)%RH for 96Hrs	
4	Temp. cycle test	-30±2°C, 30minutes +20±2°C, 15 minutes +70±2°C, 30 minutes +20±2°C, 15 minutes 5 cycles	

● **Mechanical characteristics:**

No.	Item	Test condition	Evaluation standard
1	Solder ability	Pin terminals are immersed in rosin for 5 seconds and then immersed in solder bath of $270\pm 5^{\circ}\text{C}$ for $3\pm 1\text{s}$.	90% min. lead terminals shall be wet with solder.(Except the edge of terminal)
2	Soldering heat resistance	Pin terminals are immersed up to 1.5mm from part's body in solder bath of $260\pm 5^{\circ}\text{C}$ for $10\pm 1\text{s}$.Refer to GB2423.28.	No interference in operation
3	Vibration	1.5 mm with 10 to 55Hz band of vibration frequency to each of 3 perpendicular directions for 2 hrs.	After the test part shall meet specifications, except the SPL should be in $\pm 10\text{dB}$ compared with initial one.
4	Drop test	The part only shall be dropped from the height of 70cm onto 10mm thick wooden board each 3 times in 3 axial directions(x,y&z) (a total of 9 times).	

PACKING:



NOTES:

1. 200 PCS per box
 2. Total 20 boxes per carton
 3. Total 4000 PCS carton
 4. Volume: $37.5 \times 23.5 \times 31.5\text{cm}$
- 所标注尺寸为箱子内壁尺寸，
以内壁尺寸为准，单位为mm。
外箱尺寸: $37.5 \times 23.5 \times 31.5\text{cm}$

