

# 1. Externally driven piezo buzzer with wire Electrical Specification:

**PART NO:L-KLS3-LPT-30\* 5.7**

Item	Unit	Specifications
1-1	Rated Voltage ((square wave))	Vp-p 10
1-2	Operating Voltage	Vp-p 1-30
1-3	* Rated Current (Max)	mA 3
1-4	* Min Sound Output at 10cm	dB 90
1-5	* Resonant Frequency	Hz 4500
1-6	Capacitance at 1KHz	pF 20000±30%
1-7	Tone Nature	Single
1-8	Operating Temperature	°C -20~+60
1-9	Storage Temperature	°C -30~+70
1-10	Weight	g 3.5
1-11	Housing Material	ABS(BLACK)
1-12	Lead Wire	UL1095 AWG28 (Red & Black)

\* Value Applying at Rated Voltage(Vp-p) (resonant frequency, 1/2 duty, square wave)

## 2. ENVIRONMENTAL TEST

Item	Specifications
2-1	Storage in High temp. Storage in +70°C±2°C test box for 96 hours, then expose to the room temperature for 2 hours without applying power.
2-2	Storage in Low temp. Storage in -30°C±2°C test box for 96 hours, then expose to the room temperature for 2 hours without applying power.
2-3	Storage in Humidity Storage in +30°C±2°C 90-95%RH test box for 96 hours, then expose to the room temperature for 2 hours without applying power.
2-4	Thermal cycle test. <p>Make this test for 5 cycles without applying power, then expose to the room temperature for 2 hours.</p>
2-5	Vibration test <p>Amplitude: 1.5mm Time : 1min/axis</p> <p>Make this test for the directions of X, Y, Z for 2 hours each (total 6 hours).</p>
2-6	Drop test Free drop a unit from the height 70cm to the surface of 10mm thick board ,three directions(X,Y,Z).

### PASS CRITERION :

After these tests , the change of S.P.L shall be within ±5 dB .



NingBo KLS ELECTRONIC CO., LTD.

### 3.MEASURING METHOD(BUZZER MODE)

#### 3-1 .Test Condition

##### 3-1-1.STANDARD

Temperature :  $25 \pm 3^{\circ}\text{C}$

Relative humidity : 60% ~ 70%,

Atmospheric pressure : 860mbar to 1060mbar

##### 3-1-2.JUDGEMENT

Temperature : 15 ~  $35^{\circ}\text{C}$

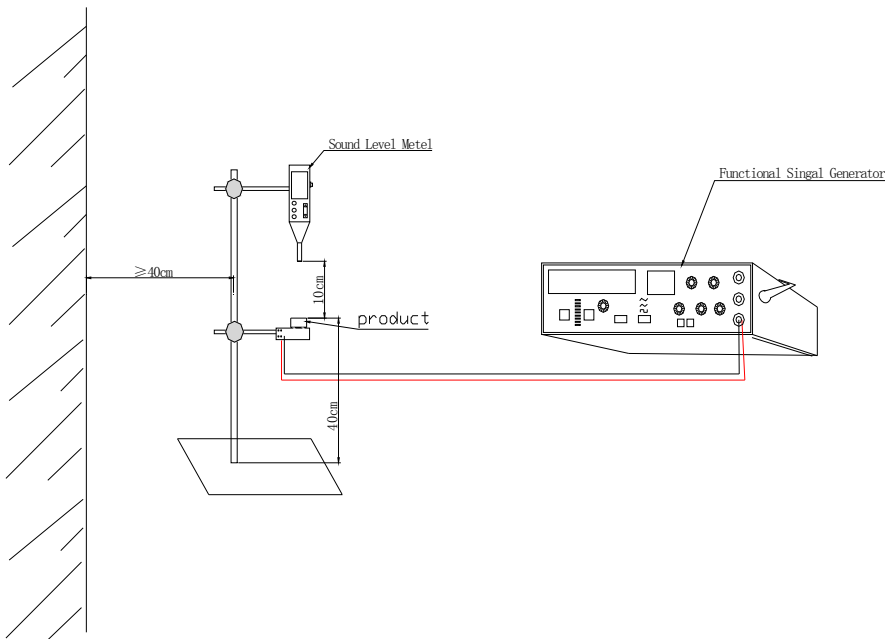
Relative humidity : 45% ~ 85%,

Atmospheric pressure : 860mbar to 1060mbar.

#### 3-2 . Standard Test Fixture

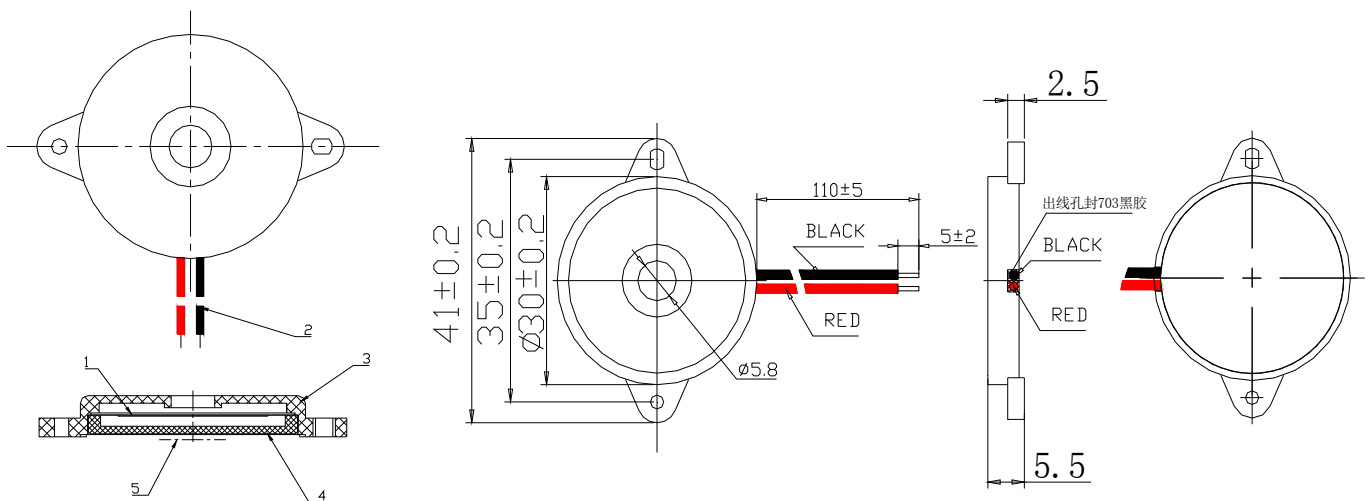
1.rated Voltage(Square wave): 10V

2.Resonant Frequency: 4500Hz



### 4.DIMENSIONS

Unless otherwise specified,tolerance:  $\pm 0.5$ (unit:mm)



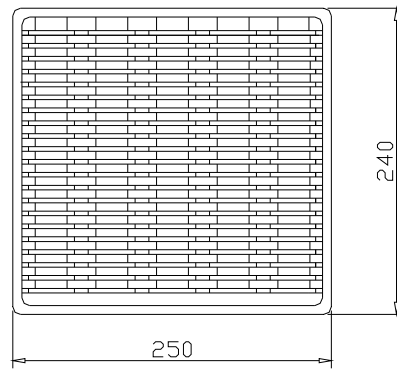
- 1) All parts must be meet to ROHS.
- 2) Wave solder and wash not allowed.



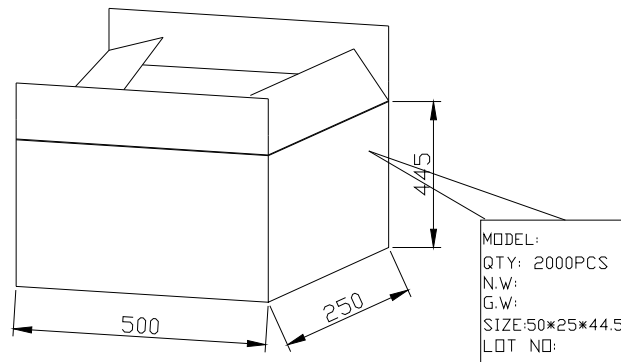
NingBo KLS ELECTRONIC CO.,LTD.

7				
6				
5				
4	Cover	1	Black ABS	
3	Housing	1	Black ABS	
2	Lead Wire	2	UL1095 AWG28(Red&Black)	
1	Piezo element	1	Brass	
Part No.	Part Name	Q'TY	Material	Remark

## 5.PACKING



100PCS/board 每盒 (250×240×51.5mm) :100只



2000PCS/CTN 每箱 (500×250×445mm) :2000只

