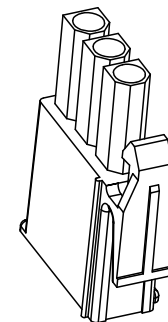
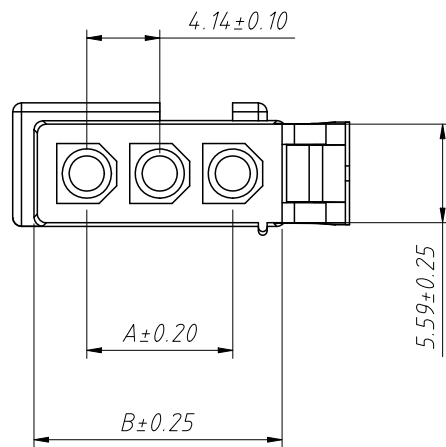
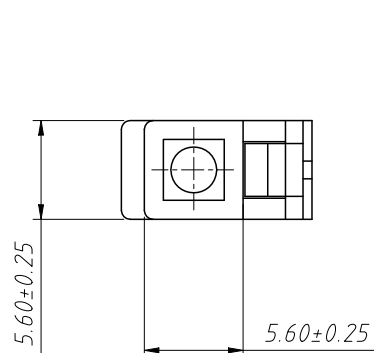


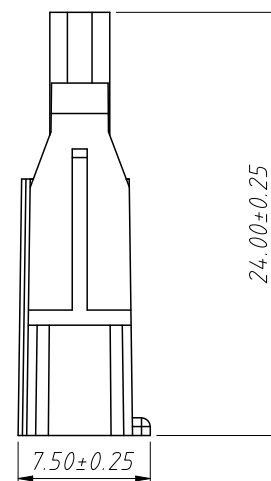
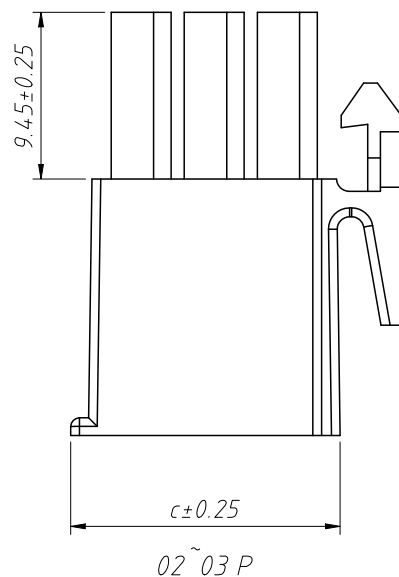
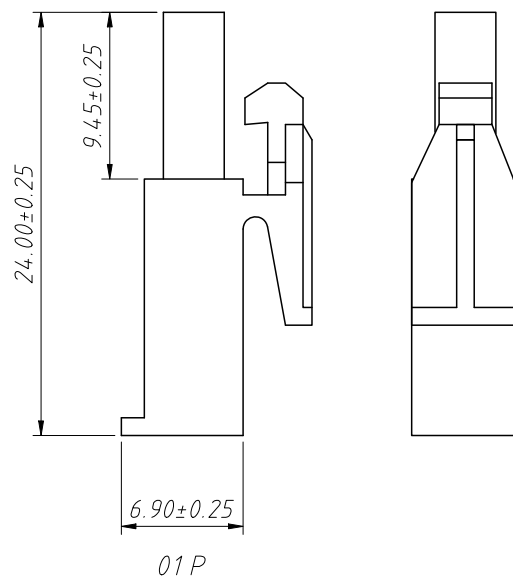
RoHS Compliance



Material:
Housing:PA66,UL 94V-2,Natural

Electrical Characteristics:
Rated Current:9.0AMP
Voltage rating:600V AC,DC
Temperature range:-40°C ~ + 105°C
Insulator Resistance:1000MΩ Min
Withstanding Voltage:1500V AC/minute
Contact Resistance:20mΩ Max

Pin	Dimensions(mm)		
	A	B	C
01	---	5.76	7.00
02	4.14	9.90	11.14
03	8.28	14.04	15.28

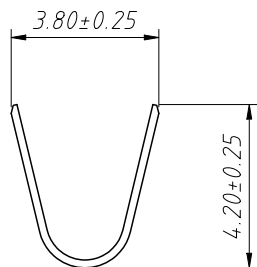
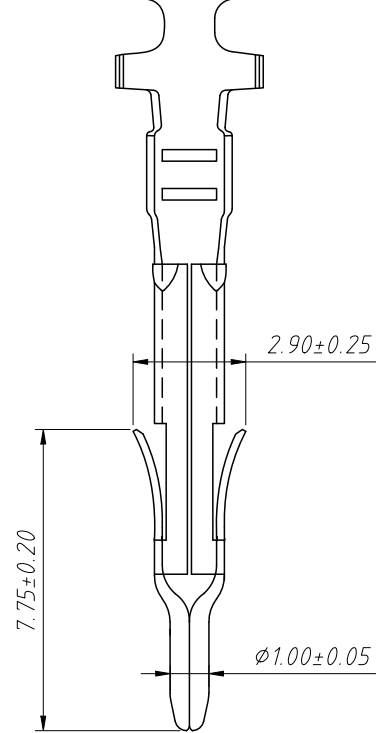
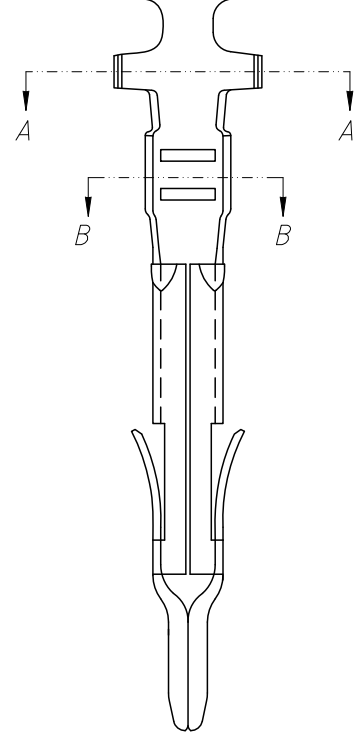
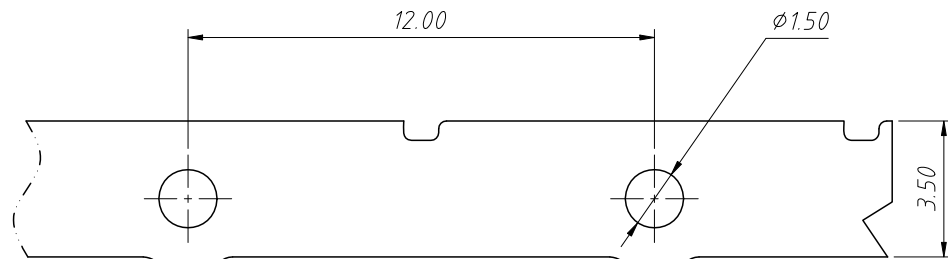


Order Information:
L-KLS1-FL-4.14-1×XX-MH

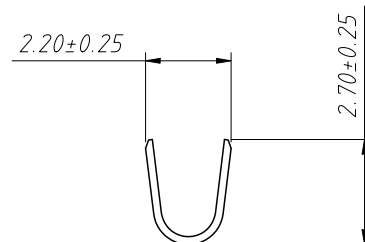
L: RoHS
Pitch:4.14mm
Row:1-Single layer
2-Double layer
3-Three layer
XX-No. of 01~03pins
Type:—
FH/FHW-Female Hosing MH-Male Hosing
FT-Female Terminal MT-Male Terminal
S-Straight male pin

ANGLE TOLERANCE	PROJECTION	Description:		
±3°		4.14mm Pitch 4.14 4 141 Wire To Board Connector		
GENERAL TOLERANCE	UNITS	mm	KLS P/N:	L-KLS1-FL-4.14-1×XX-MH
x.x ±0.30	SHEET SIZE	A4		
x.xx ±0.20	Draw:	Daniel	2021-01-11	NingBo KLS ELECTRONIC CO.,LTD.
x.xxx ±0.10	Check:	Daniel	2021-01-11	

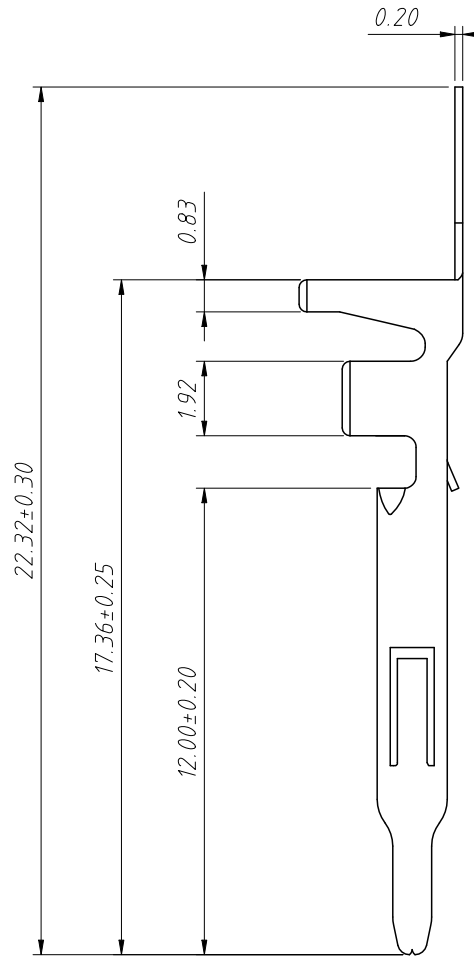
RoHS Compliance



A-A



B-B



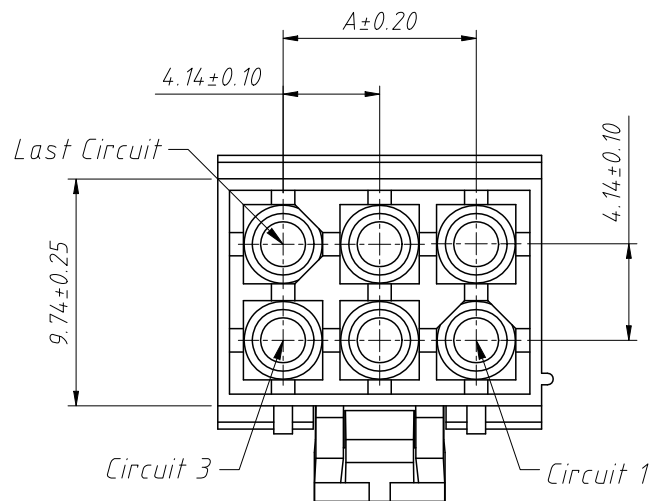
Material:
 Terminal: Phosphor Bronze or Brass
 Plating: Tin plated or Nickel or Gold
 Applicable wires: AWG #22 ~ #18
 Insulation O.D: 2.4mm
 Qty/reel: 4000 pcs

Electrical Characteristics:
 Rated Current: 9.0AMP
 Voltage rating: 600V AC, DC
 Temperature range: -40°C ~ +105°C
 Insulator Resistance: 1000MΩ Min
 Withstanding Voltage: 1500V AC/minute
 Contact Resistance: 20mΩ Max

Order Information:
 L-KLS1-FL-4.14-MT
 L: RoHS
 Pitch: 4.14mm
 Type: _____
 FH/FHW-Female Hosing MH-Male Hosing
 FT-Female Terminal MT-Male Terminal
 S-Straight male pin

ANGLE TOLERANCE	PROJECTION	Description:		
±3°		4.14mm Pitch 4.14 4141 Wire To Board Connector		
GENERAL TOLERANCE	UNITS	mm	KLS P/N:	L-KLS1-FL-4.14-MT
x.x ±0.30	SHEET SIZE	A4		
x.xx ±0.20	Draw:	Daniel	2021-01-11	NingBo KLS ELECTRONIC CO.,LTD.
x.xxx ±0.10	Check:	Daniel	2021-01-11	

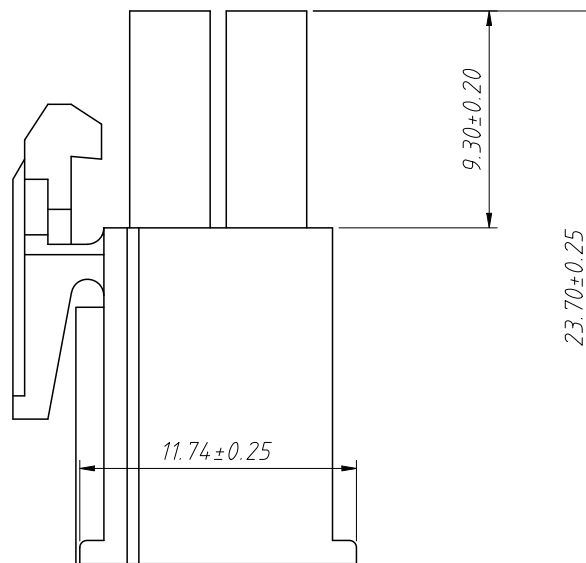
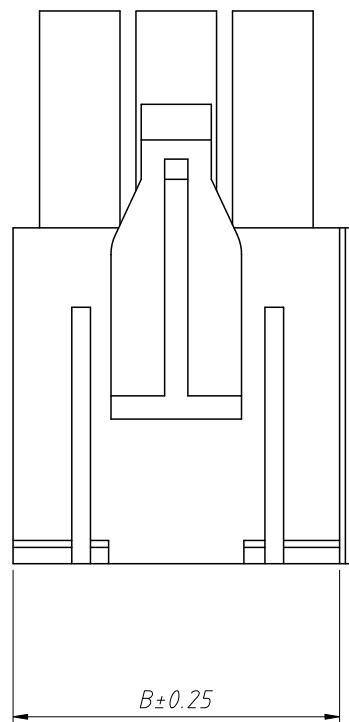
RoHS Compliance



Material:
Housing:PA66,UL 94V-2,Natural

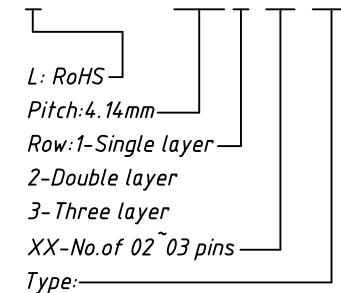
Electrical Characteristics:
Rated Current:9.0AMP
Voltage rating:600V AC,DC
Temperature range:-40°C ~ + 105°C
Insulator Resistance:1000MΩ Min
Withstanding Voltage:1500V AC/minute
Contact Resistance:20mΩ Max

Pin	Dimensions(mm)	
	A	B
2×02	4.14	9.74
2×03	8.28	13.88



Order Information:

L-KLS1-FL-4.14-2×XX-MH



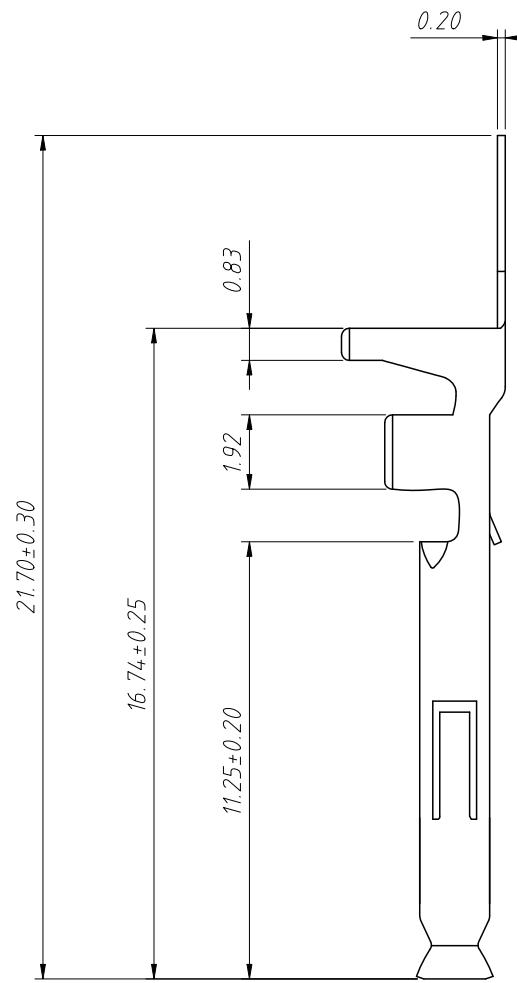
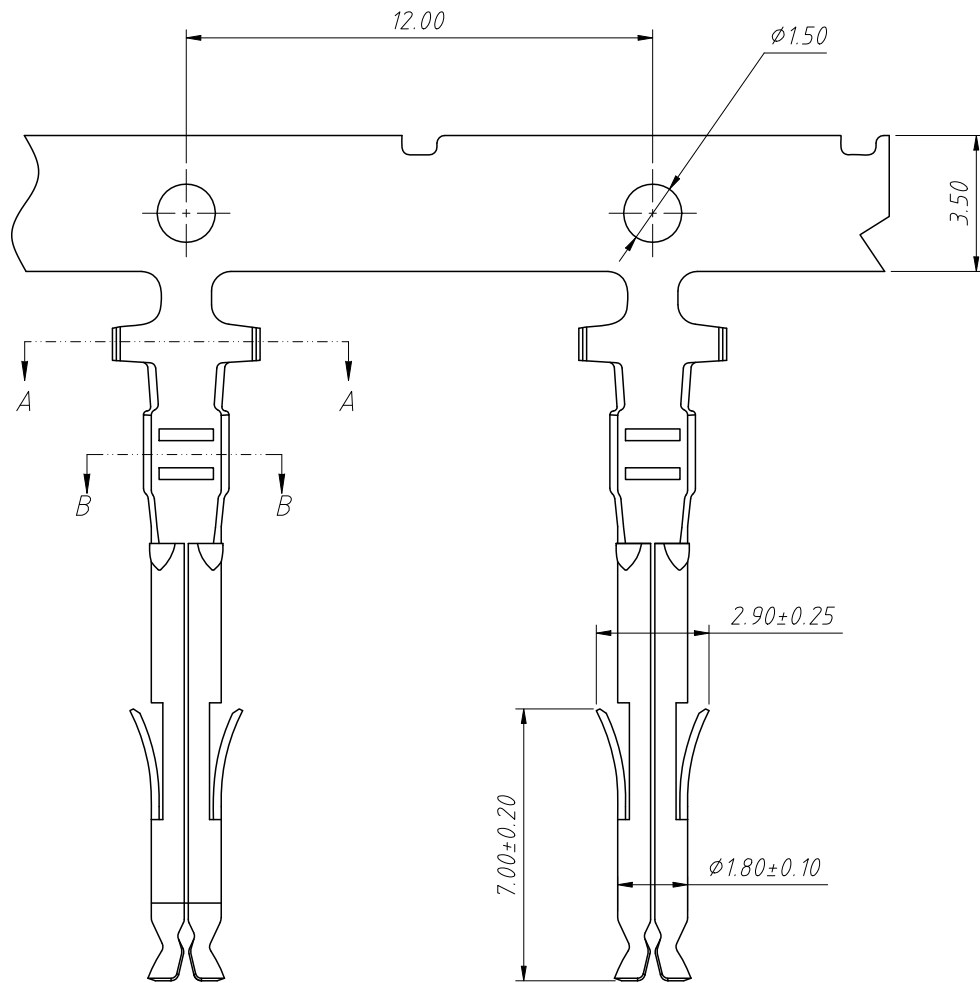
L: RoHS
Pitch:4.14mm
Row:1-Single layer
2-Double layer
3-Three layer
XX-No. of 02 ~ 03 pins
Type:
FH/FHW-Female Hosing MH-Male Hosing
FT-Female Terminal MT-Male Terminal
S-Straight male pin

ANGLE TOLERANCE	PROJECTION	Description:
±3°		4.14mm Pitch 4.14 4141 Wire To Board Connector
GENERAL TOLERANCE	UNITS	mm
x.x ±0.30	SHEET SIZE	A4
x.xx ±0.20	Draw:	Daniel 2021-01-11
x.xxx ±0.10	Check:	Daniel 2021-01-11



NingBo KLS ELECTRONIC CO.,LTD.

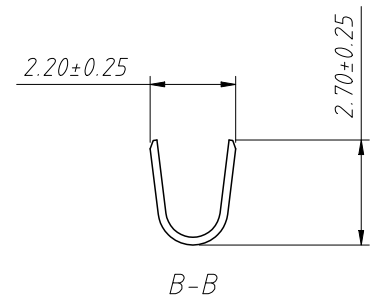
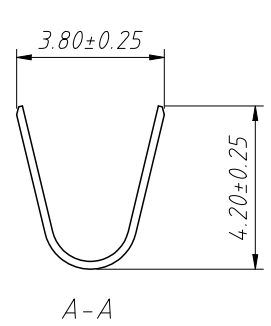
RoHS Compliance



Material:
 Terminal: Brass
 Plating: Tin plated or Nickel or Gold
 Applicable wires: AWG #22 # 18
 Insulation O.D: 2.4mm
 Qty/reel: 4000 pcs

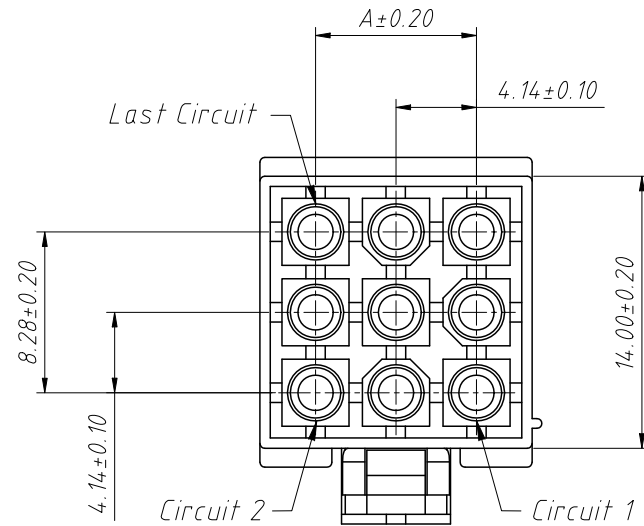
Electrical Characteristics:
 Rated Current: 9.0AMP
 Voltage rating: 600V AC, DC
 Temperature range: -40°C ~ + 105°C
 Insulator Resistance: 1000MΩ Min
 Withstanding Voltage: 1500V AC/minute
 Contact Resistance: 20mΩ Max

Order Information:
 L-KLS1-FL-4.14-FT
 L: RoHS
 Pitch: 4.14mm
 Type:



ANGLE TOLERANCE	PROJECTION	Description:		
±3°		4.14mm Pitch 4.14 4141 Wire To Board Connector		
GENERAL TOLERANCE	UNITS	mm	KLS P/N:	L-KLS1-FL-4.14-FT
x.x ±0.30	SHEET SIZE	A4		
x.xx ±0.20	Draw:	Daniel	2021-01-11	NingBo KLS ELECTRONIC CO.,LTD.
x.xxx ±0.10	Check:	Daniel	2021-01-11	

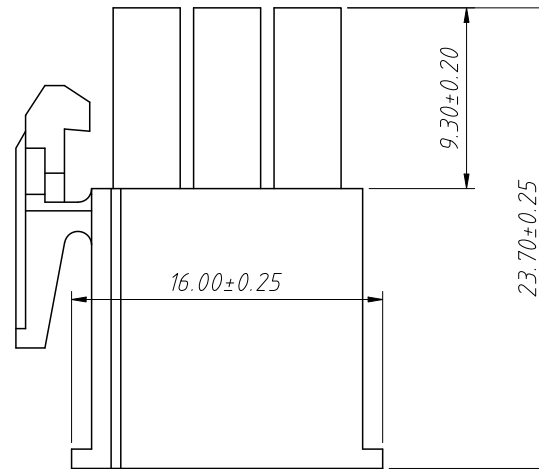
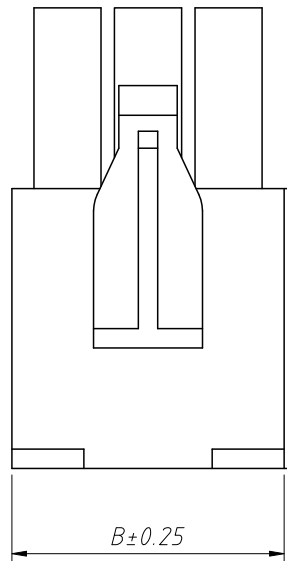
RoHS Compliance



Material:
Housing:PA66,UL 94V-2,Natural

Electrical Characteristics:
Rated Current:9.0AMP
Voltage rating:600V AC,DC
Temperature range:-40°C ~ + 105°C
Insulator Resistance:1000MΩ Min
Withstanding Voltage:1500V AC/minute
Contact Resistance:20mΩ Max

Pin	Dimensions(mm)	
	A	B
3×03	8.28	14.00
3×04	12.42	18.50
3×05	16.56	22.65



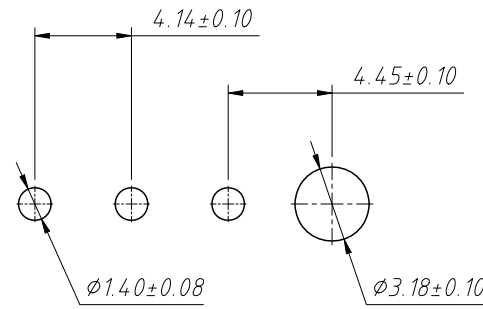
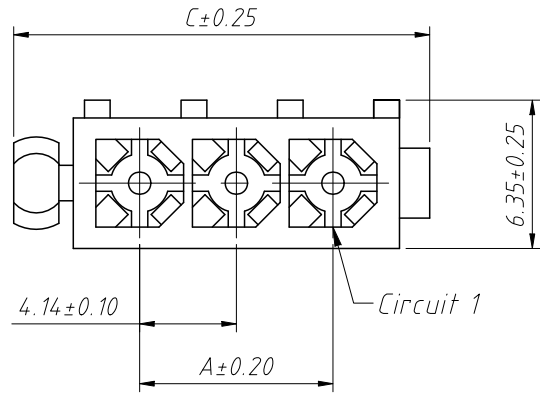
Order Information:

L-KLS1-FL-4.14-3×XX-MH

L: RoHS
Pitch:4.14mm
Row:1-Single layer
2-Double layer
3-Three layer
XX-No. of 03 ~ 05 pins
Type:
FH/FHW-Female Hosing MH-Male Hosing
FT-Female Terminal MT-Male Terminal
S-Straight male pin

ANGLE TOLERANCE	PROJECTION	Description:		
±3°		4.14mm Pitch 4.14 4141 Wire To Board Connector		
GENERAL TOLERANCE	UNITS	mm	KLS P/N:	L-KLS1-FL-4.14-3×XX-MH
x.x ±0.30	SHEET SIZE	A4		
x.xx ±0.20	Draw:	Daniel	2021-01-11	NingBo KLS ELECTRONIC CO.,LTD.
x.xxx ±0.10	Check:	Daniel	2021-01-11	

RoHS Compliance

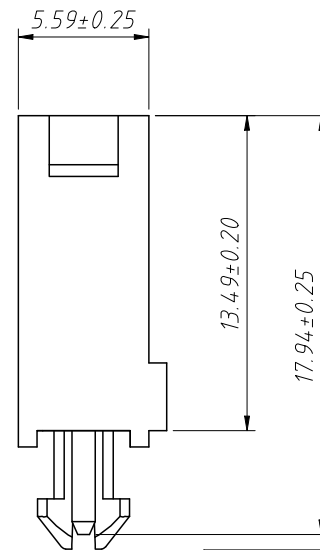
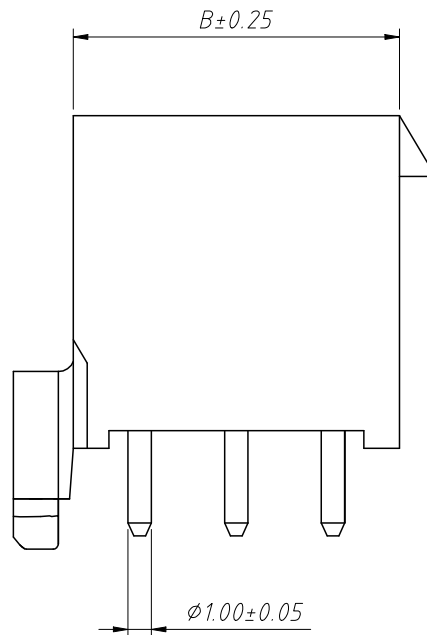


PCB LAYOUT

Material:
 Housing: PA66, UL 94 V-0, White
 Pin: Brass, Tin plated or Nickel

Electrical Characteristics:
 Rated Current: 9.0AMP
 Voltage rating: 600V AC, DC
 Temperature range: -40°C ~ + 105°C
 Insulator Resistance: 1000MΩ Min
 Withstanding Voltage: 1500V AC/minute
 Contact Resistance: 20mΩ Max

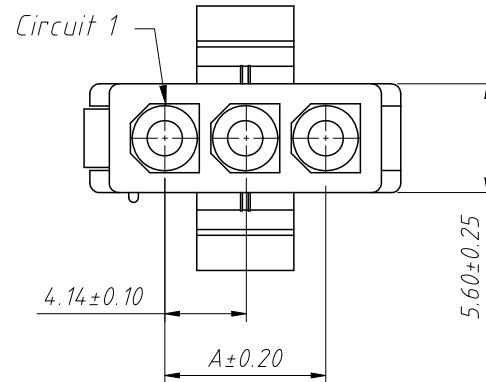
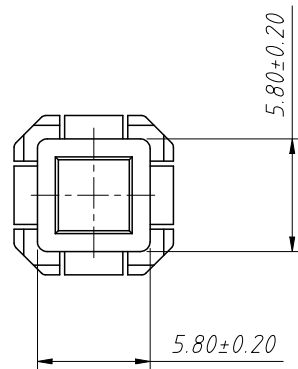
Pin	Dimensions(mm)		
	A	B	C
02	4.14	9.83	13.68
03	8.28	13.97	17.82



Order Information:
 L-KLS1-FL-4.14-1×XX-S
 L: RoHS
 Pitch: 4.14mm
 Row: 1-Single layer
 2-Double layer
 3-Three layer
 XX-No. of 02 ~ 03pins
 Type:
 FH/FHW - Female Hosing MH - Male Hosing
 FT - Female Terminal MT - Male Terminal
 S - Straight male pin

ANGLE TOLERANCE	PROJECTION	Description:		
±3°		4.14mm Pitch 4.14 4141 Wire To Board Connector		
GENERAL TOLERANCE	UNITS	mm	KLS P/N:	L-KLS1-FL-4.14-1×XX-S
x.x ±0.30	SHEET SIZE	A4		
x.xx ±0.20	Draw:	Daniel	2021-01-11	NingBo KLS ELECTRONIC CO.,LTD.
x.xxx ±0.10	Check:	Daniel	2021-01-11	

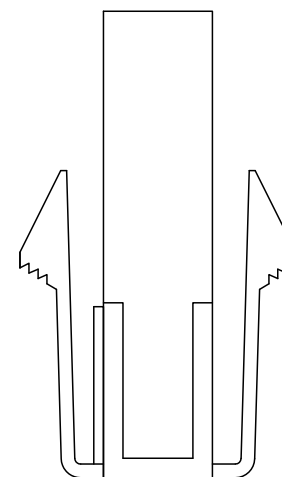
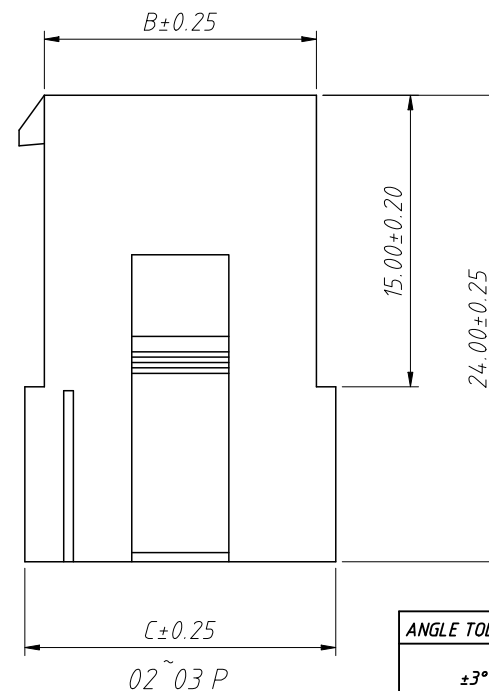
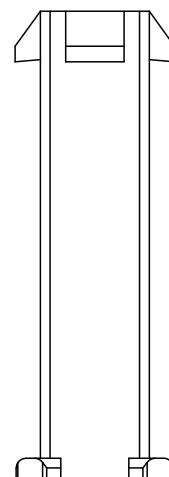
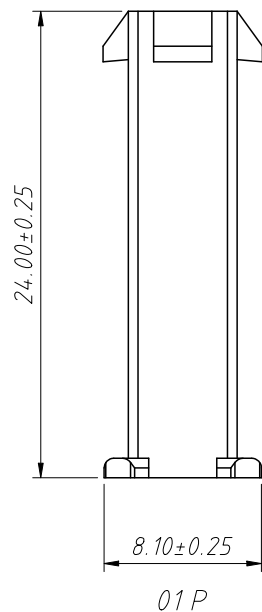
RoHS Compliance



Material:
Housing:PA66,UL 94V-2,Natural

Electrical Characteristics:
Rated Current:9.0AMP
Voltage rating:600V AC,DC
Temperature range:-40°C ~ + 105°C
Insulator Resistance:1000MΩ Min
Withstanding Voltage:1500V AC/minute
Contact Resistance:20mΩ Max

Pin	Dimensions(mm)		
	A	B	C
01	---	5.80	8.10
02	4.14	9.80	11.80
03	8.28	14.00	16.00

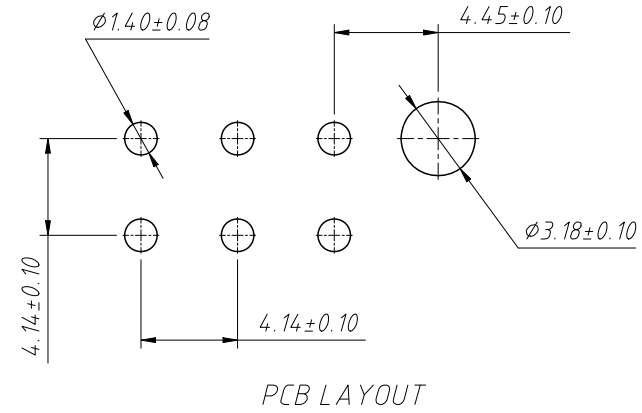
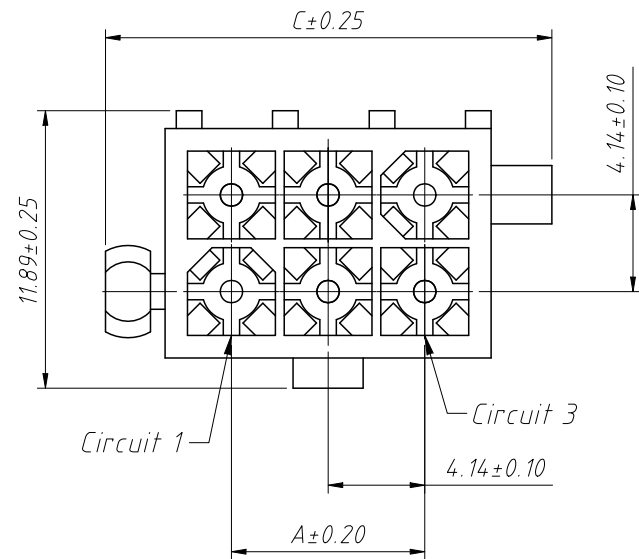


Order Information:
L-KLS1-FL-4.14-1×XX-FH

L: RoHS
Pitch:4.14mm
Row:1-Single layer
2-Double layer
3-Three layer
XX-No. of 01~03pins
Type:
FH/FHW-Female Hosing MH-Male Hosing
FT-Female Terminal MT-Male Terminal
S-Straight male pin

ANGLE TOLERANCE	PROJECTION	Description:		
±3°		4.14mm Pitch 4.14 4141 Wire To Board Connector		
GENERAL TOLERANCE	UNITS	mm	KLS P/N:	L-KLS1-FL-4.14-1×XX-FH
x.x ±0.30	SHEET SIZE	A4		
x.xx ±0.20	Draw:	Daniel	2021-01-11	NingBo KLS ELECTRONIC CO.,LTD.
x.xxx ±0.10	Check:	Daniel	2021-01-11	

RoHS Compliance



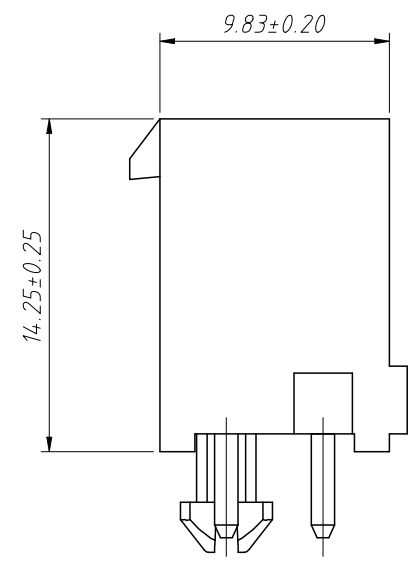
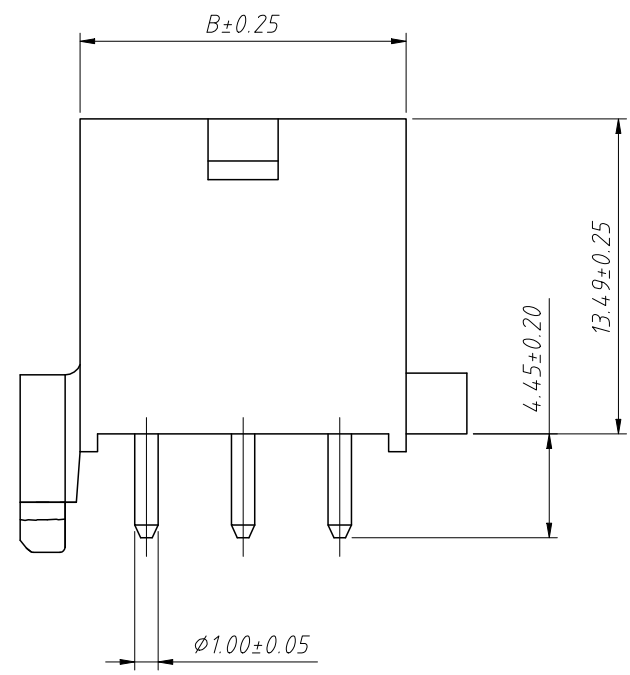
Material:
 Housing: PA66, UL 94V-0, White
 Pin: Brass, Tin plated or Nickel

Electrical Characteristics:
 Rated Current: 9.0AMP
 Voltage rating: 600V AC, DC
 Temperature range: $-40^{\circ}\text{C} \sim +105^{\circ}\text{C}$
 Insulator Resistance: $1000\text{M}\Omega$ Min
 Withstanding Voltage: 1500V AC/minute
 Contact Resistance: $20\text{m}\Omega$ Max

Pin	Dimensions(mm)		
	A	B	C
2x02	4.14	9.83	15.01
2x03	8.28	13.97	19.15
2x04	12.42	18.11	23.29
2x05	16.56	22.25	27.43
2x06	20.70	26.39	31.57

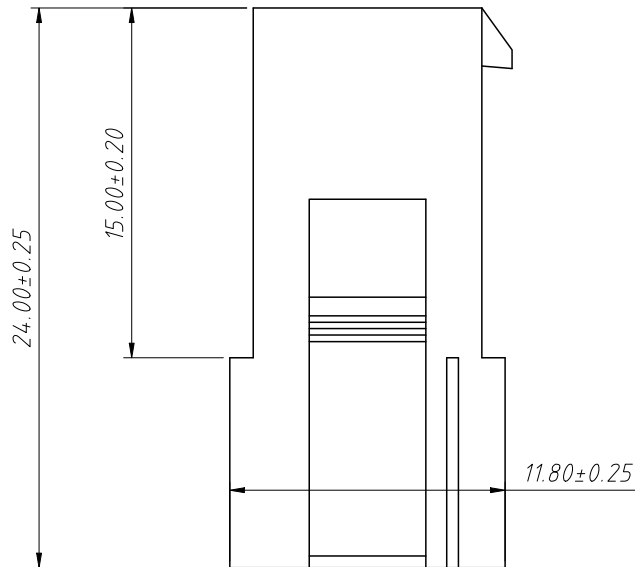
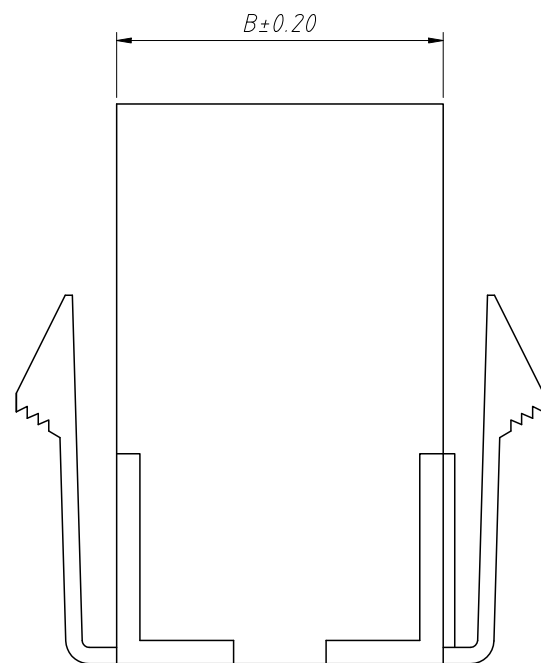
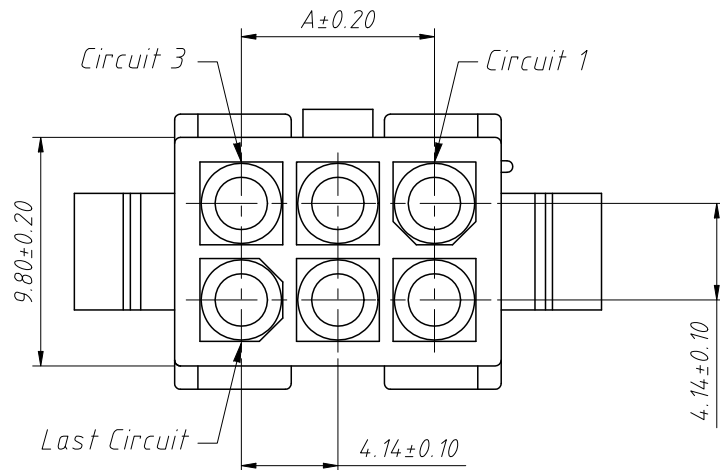
Order Information:
 L-KLS1-FL-4.14-2×XX-S

L: RoHS
 Pitch: 4.14mm
 Row: 1-Single layer
 2-Double layer
 3-Three layer
 XX-No. of 02~06pins
 Type: FH/FHW-Female Hosing MH-Male Hosing
 FT-Female Terminal MT-Male Terminal
 S-Straight male pin



ANGLE TOLERANCE	PROJECTION	Description:
$\pm 3^{\circ}$		4.14mm Pitch 4.14 4141 Wire To Board Connector
GENERAL TOLERANCE	UNITS	mm
x.x	± 0.30	A4
x.xx	± 0.20	Daniel
x.xxx	± 0.10	Daniel
KLS P/N:	L-KLS1-FL-4.14-2×XX-S	
NingBo KLS ELECTRONIC CO.,LTD.		

RoHS Compliance



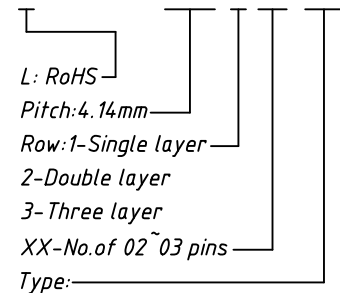
Material:
Housing:PA66,UL 94V-2,Natural

Electrical Characteristics:
Rated Current:9.0AMP
Voltage rating:600V AC,DC
Temperature range:-40°C ~ + 105°C
Insulator Resistance:1000M Ω Min
Withstanding Voltage:1500V AC/minute
Contact Resistance:20m Ω Max

Pin	Dimensions(mm)	
	A	B
2x02	4.14	9.80
2x03	8.28	14.00

Order Information:

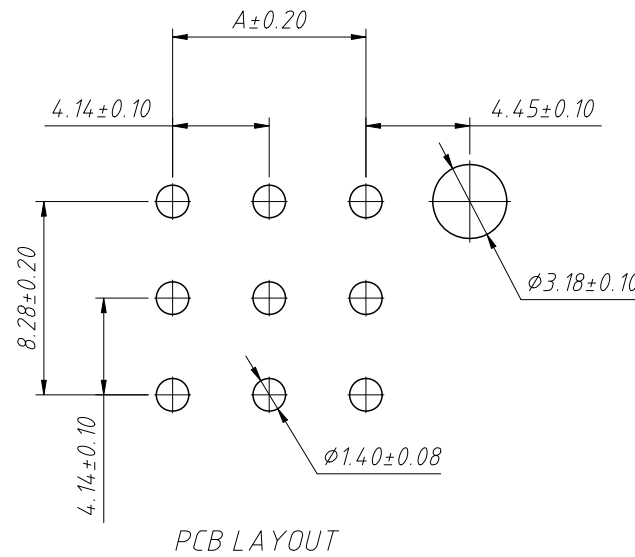
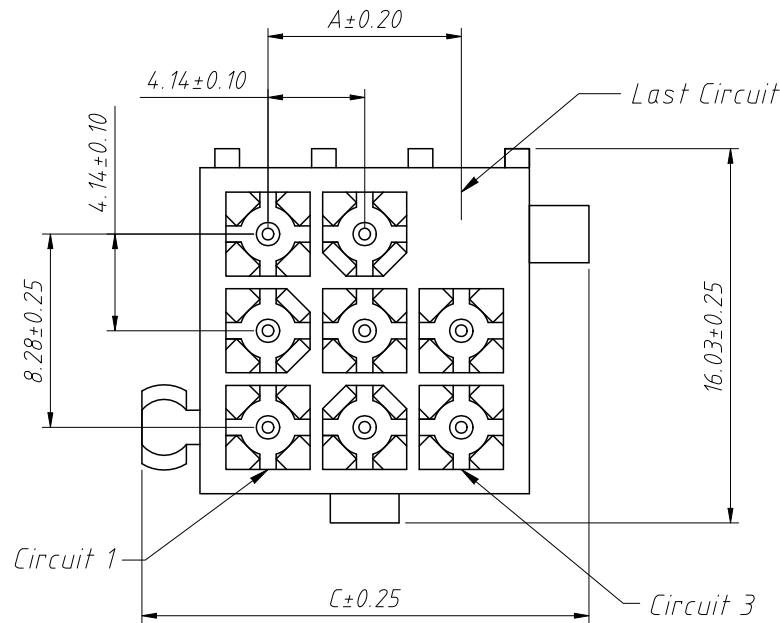
L-KLS1-FL-4.14-2×XX-FH



Type:
FH/FHW-Female Hosing MH-Male Hosing
FT-Female Terminal MT-Male Terminal
S-Straight male pin

ANGLE TOLERANCE		PROJECTION		Description:	
$\pm 3^\circ$				4.14mm Pitch 4.14 4 14 1 Wire To Board Connector	
GENERAL TOLERANCE		UNITS	mm	KLS P/N:	L-KLS1-FL-4.14-2×XX-FH
x.x	± 0.30	SHEET SIZE	A4		NingBo KLS ELECTRONIC CO.,LTD.
x.xx	± 0.20	Draw:	Daniel	2021-01-11	
x.xxx	± 0.10	Check:	Daniel	2021-01-11	

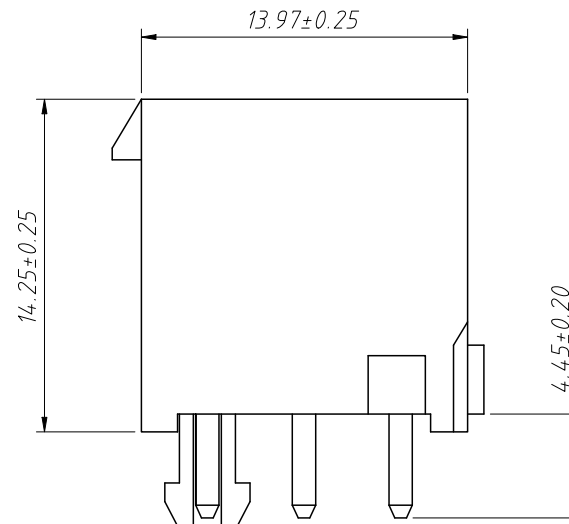
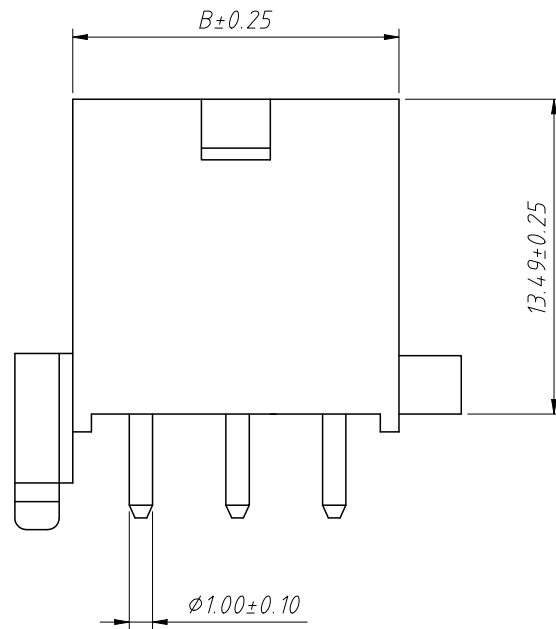
RoHS Compliance



Material:
Housing: PA66, UL 94 V-0, White
Pin: Brass, Tin plated or Nickel

Electrical Characteristics:
Rated Current: 9.0AMP
Voltage rating: 600V AC, DC
Temperature range: $-40^{\circ}\text{C} \sim +105^{\circ}\text{C}$
Insulator Resistance: $1000\text{M}\Omega$ Min
Withstanding Voltage: 1500V AC/minute
Contact Resistance: $20\text{m}\Omega$ Max

Pin	Dimensions(mm)		
	A	B	C
3x03	8.28	13.97	19.15
3x04	12.42	18.11	23.29
3x05	16.56	22.25	27.43



Order Information:
L-KLS1-FL-4.14-3XX-S

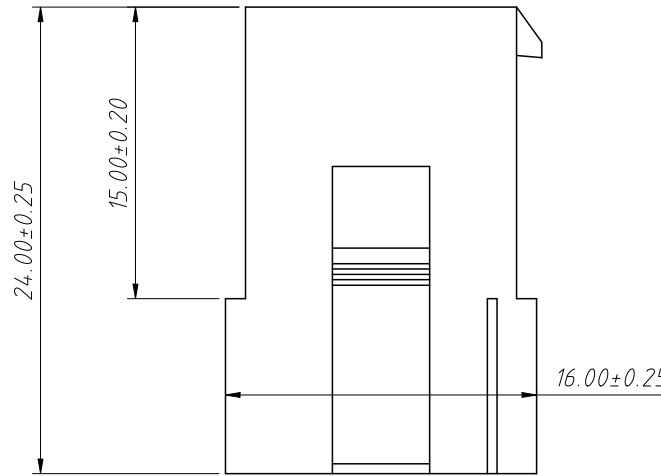
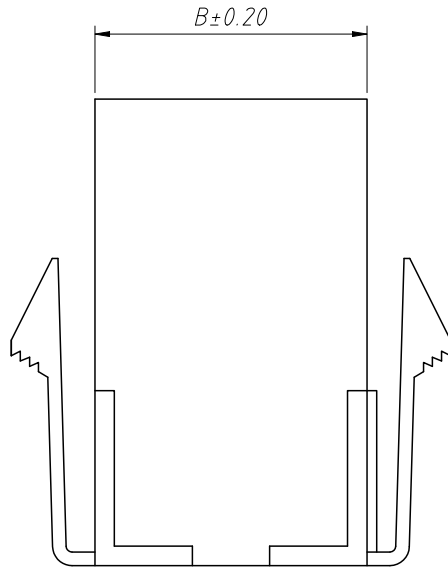
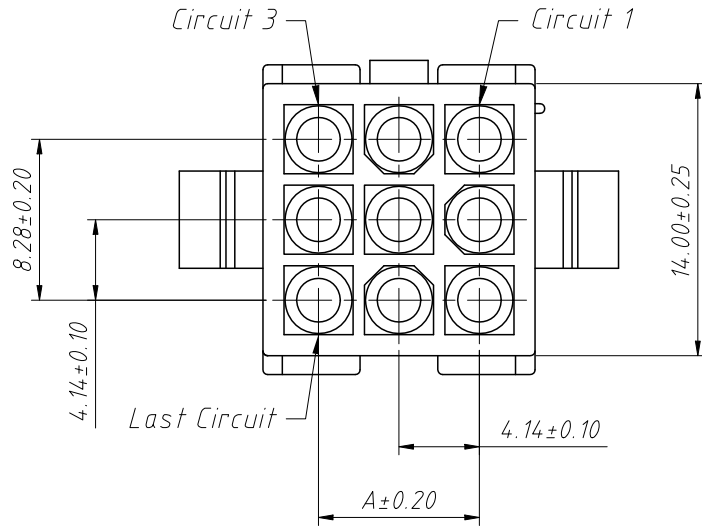
L: RoHS
Pitch: 4.14mm
Row: 1-Single layer
2-Double layer
3-Three layer
XX-No. of 03~05pins
Type: FH/FHW-Female Hosing MH-Male Hosing
FT-Female Terminal MT-Male Terminal
S-Straight male pin

ANGLE TOLERANCE	PROJECTION	Description:
$\pm 3^{\circ}$		4.14mm Pitch 4.14 4141 Wire To Board Connector
GENERAL TOLERANCE	UNITS	mm
x.x	± 0.30	A4
x.xx	± 0.20	Draw: Daniel 2021-01-11
x.xxx	± 0.10	Check: Daniel 2021-01-11
KLS P/N:		L-KLS1-FL-4.14-3XX-S



NingBo KLS ELECTRONIC CO.,LTD.

RoHS Compliance



Material:
Housing:PA66,UL 94V-2,Natural

Electrical Characteristics:
Rated Current:9.0AMP
Voltage rating:600V AC,DC
Temperature range:-40°C ~ + 105°C
Insulator Resistance:1000MΩ Min
Withstanding Voltage:1500V AC/minute
Contact Resistance:20mΩ Max

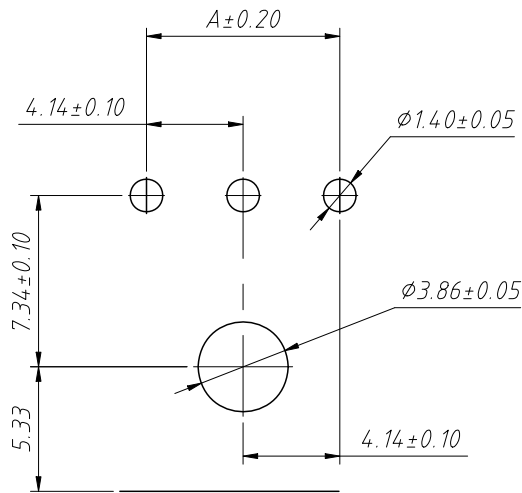
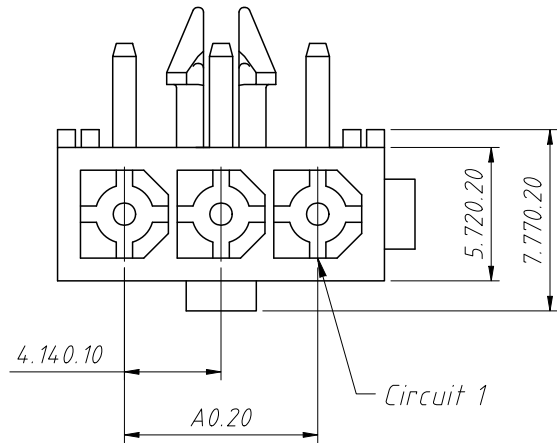
Pin	Dimensions(mm)	
	A	B
3×03	8.28	14.00
3×04	12.42	18.20
3×05	16.56	22.40

Order Information:
L-KLS1-FL-4.14-3×XX-FH

L: RoHS
Pitch:4.14mm
Row:1-Single layer
2-Double layer
3-Three layer
XX-No. of 03 ~ 05 pins
Type:
FH/FHW-Female Hosing MH-Male Hosing
FT-Female Terminal MT-Male Terminal
S-Straight male pin

ANGLE TOLERANCE	PROJECTION	Description:		
±3°		4.14mm Pitch 4.14 4 14 1 Wire To Board Connector		
GENERAL TOLERANCE	UNITS	mm	KLS P/N:	L-KLS1-FL-4.14-3×XX-FH
x.x ±0.30	SHEET SIZE	A4		
x.xx ±0.20	Draw:	Daniel	2021-01-11	NingBo KLS ELECTRONIC CO.,LTD.
x.xxx ±0.10	Check:	Daniel	2021-01-11	

RoHS Compliance

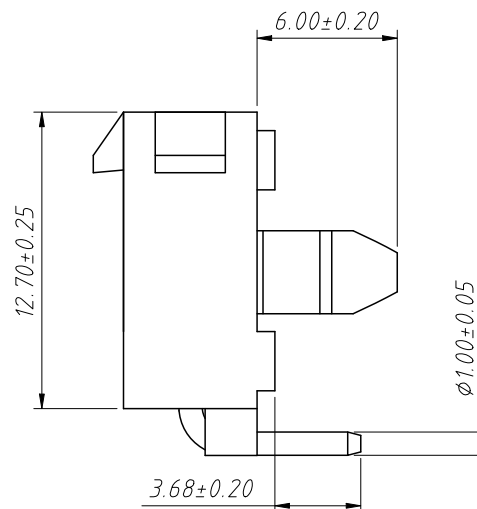
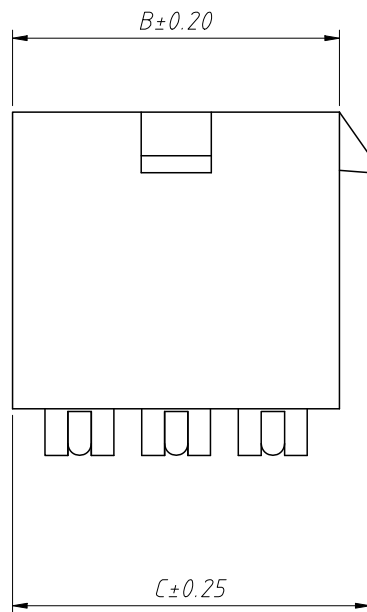


PCB LAYOUT

Material:
Housing: PA66, UL 94 V-0, White
Pin: Brass, Tin plated or Nickel

Electrical Characteristics:
Rated Current: 9.0AMP
Voltage rating: 600V AC, DC
Temperature range: -40°C ~ +105°C
Insulator Resistance: 1000MΩ Min
Withstanding Voltage: 1500V AC/minute
Contact Resistance: 20mΩ Max

Pin	Dimensions(mm)		
	A	B	C
02	4.14	9.86	11.16
03	8.28	14.00	15.30

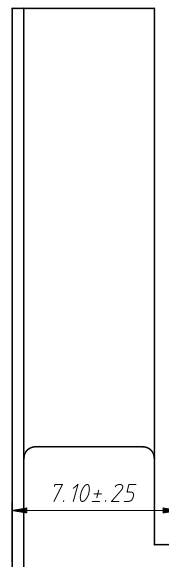
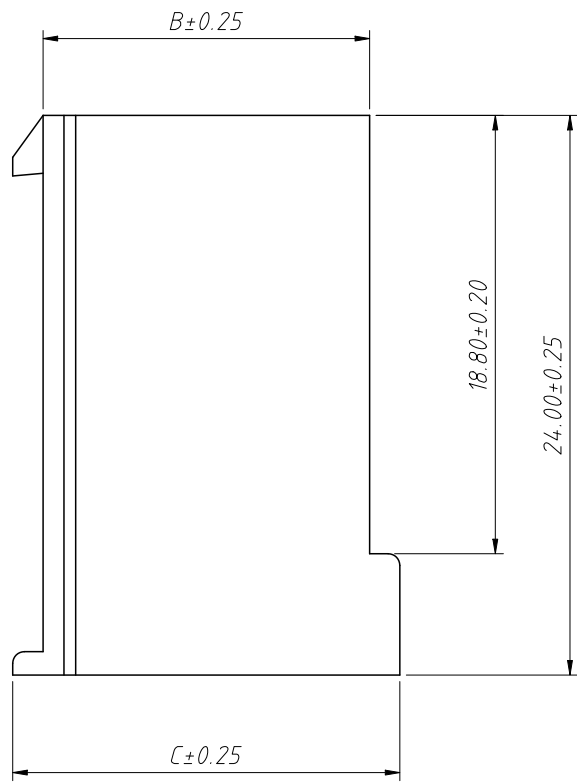
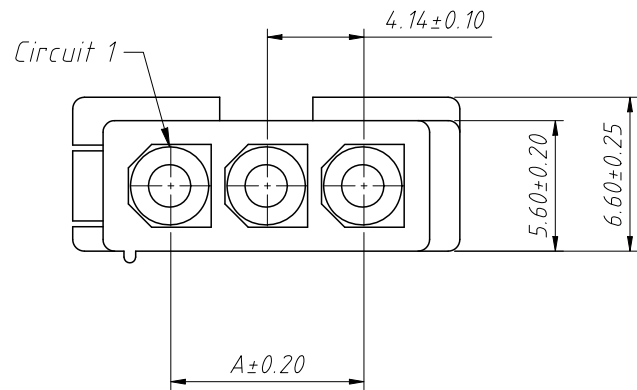


Order Information:
L-KLS1-FL-4.14-1×XX-R

L: RoHS
Pitch: 4.14mm
Row: 1-Single layer
2-Double layer
3-Three layer
XX-No. of 02~03pins
Type: FH/FHW-Female Hosing MH-Male Hosing
FT-Female Terminal MT-Male Terminal
S-Straight male pin

ANGLE TOLERANCE	PROJECTION	Description:		
±3°		4.14mm Pitch 4.14 4 14 1 Wire To Board Connector		
GENERAL TOLERANCE	UNITS	mm	KLS P/N:	L-KLS1-FL-4.14-1×XX-R
x.x ±0.30	SHEET SIZE	A4		
x.xx ±0.20	Draw:	Daniel	2021-01-11	NingBo KLS ELECTRONIC CO.,LTD.
x.xxx ±0.10	Check:	Daniel	2021-01-11	

RoHS Compliance



Material:
Housing:PA66,UL94V-2,Natural

Electrical Characteristics:
Rated Current:9.0AMP
Voltage rating:600V AC,DC
Temperature range:-40°C ~ +105°C
Insulator Resistance:1000M Ω Min
Withstanding Voltage:1500V AC/minute
Contact Resistance:20m Ω Max

Pin	Dimensions(mm)		
	A	B	C
02	4.14	9.80	12.40
03	8.28	14.00	16.60

Order Information:

L-KLS1-FL-4.14-1×XX-FHW

L: RoHS

Pitch:4.14mm

Row:1-Single layer

2-Double layer

3-Three layer

XX-No.of 02~03pins

Type:

FH/FHW-Female Hosing MH-Male Hosing

FT-Female Terminal MT-Male Terminal

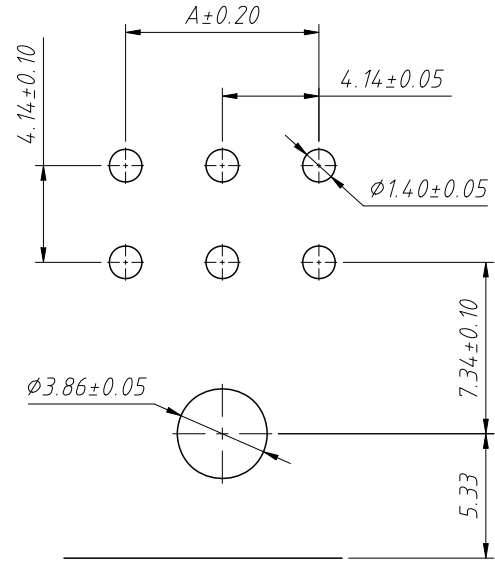
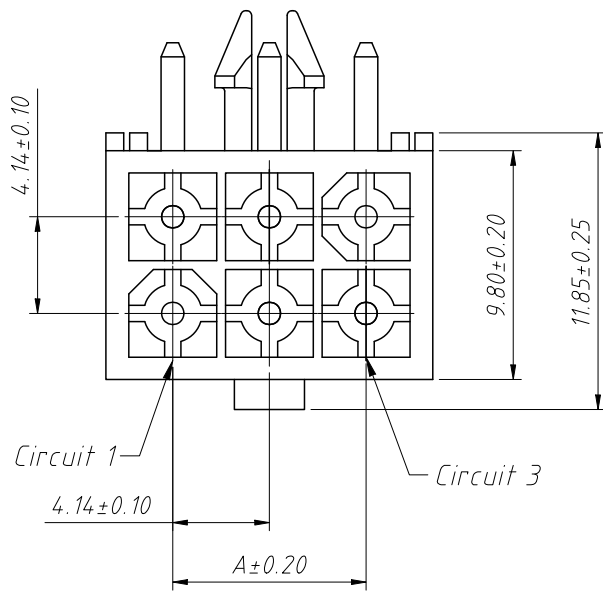
S-Straight male pin

ANGLE TOLERANCE	PROJECTION	Description:
$\pm 3^\circ$		4.14mm Pitch 4.14 4 14 1 Wire To Board Connector
GENERAL TOLERANCE	UNITS	mm
x.x ± 0.30	SHEET SIZE	A4
x.xx ± 0.20	Draw:	Daniel 2021-01-11
x.xxx ± 0.10	Check:	Daniel 2021-01-11



NingBo KLS ELECTRONIC CO.,LTD.

RoHS Compliance



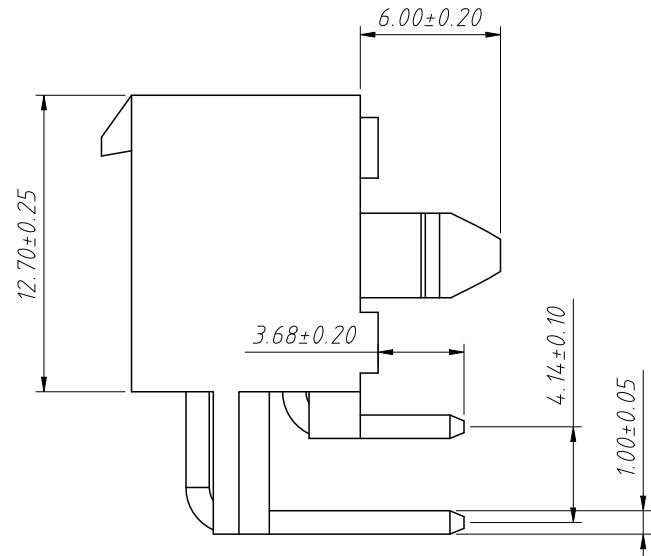
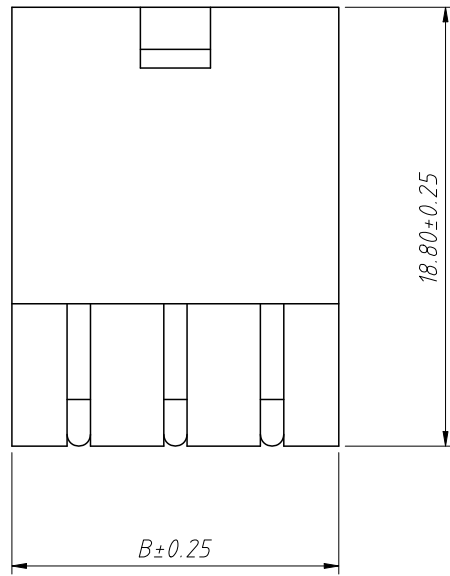
Material:
 Housing: PA66, UL 94 V-0, White
 Pin: Brass, Tin plated or Nickel

Electrical Characteristics:
 Rated Current: 9.0AMP
 Voltage rating: 600V AC, DC
 Temperature range: $-40^{\circ}\text{C} \sim +105^{\circ}\text{C}$
 Insulator Resistance: 1000M Ω Min
 Withstanding Voltage: 1500V AC/minute
 Contact Resistance: 20m Ω Max

Pin	Dimensions(mm)	
	A	B
2x02	4.14	9.83
2x03	8.28	13.97
2x04	12.42	18.11
2x05	16.56	22.25
2x06	20.70	26.39

Order Information:
 L-KLS1-FL-4.14-2xXX-R

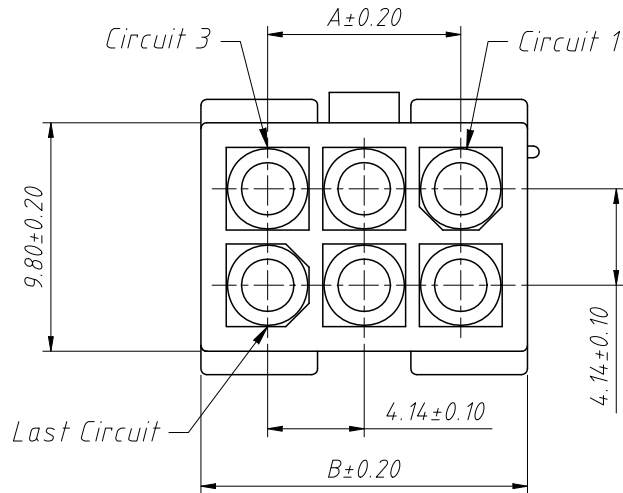
L: RoHS
 Pitch: 4.14mm
 Row: 1-Single layer
 2-Double layer
 3-Three layer
 XX-No. of 02 ~ 06pins
 Type: FH/FHW-Female Hosing MH-Male Hosing
 FT-Female Terminal MT-Male Terminal
 S-Straight male pin



ANGLE TOLERANCE	PROJECTION	Description:
$\pm 3^{\circ}$		4.14mm Pitch 4.14 4 14 1 Wire To Board Connector
GENERAL TOLERANCE	UNITS	mm
x.x	± 0.30	A4
x.xx	± 0.20	Draw: Daniel 2021-01-11
x.xxx	± 0.10	Check: Daniel 2021-01-11
KLS P/N:		L-KLS1-FL-4.14-2xXX-R

NingBo KLS ELECTRONIC CO.,LTD.

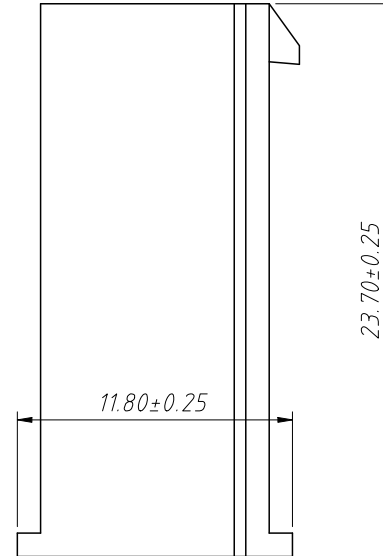
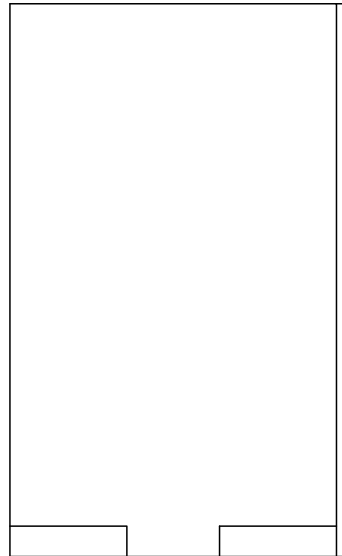
RoHS Compliance



Material:
Housing:PA66,UL 94V-2,Natural

Electrical Characteristics:
Rated Current:9.0AMP
Voltage rating:600V AC,DC
Temperature range:-40°C ~ + 105°C
Insulator Resistance:1000MΩ Min
Withstanding Voltage:1500V AC/minute
Contact Resistance:20mΩ Max

Pin	Dimensions(mm)	
	A	B
2×02	4.14	9.80
2×03	8.28	14.00

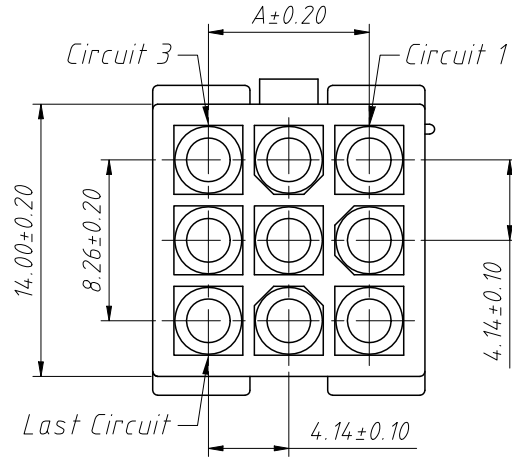


Order Information:
L-KLS1-FL-4.14-2×XX-FHW

L: RoHS
Pitch:4.14mm
Row:1-Single layer
2-Double layer
3-Three layer
XX-No. of 02 ~ 03 pins
Type:
FH/FHW-Female Hosing MH-Male Hosing
FT-Female Terminal MT-Male Terminal
S-Straight male pin

ANGLE TOLERANCE	PROJECTION	Description:		
±3°		4.14mm Pitch 4.14 4 14 1 Wire To Board Connector		
GENERAL TOLERANCE	UNITS	mm	KLS P/N:	L-KLS1-FL-4.14-2×XX-FHW
x.x ±0.30	SHEET SIZE	A4		
x.xx ±0.20	Draw:	Daniel	2021-01-11	NingBo KLS ELECTRONIC CO.,LTD.
x.xxx ±0.10	Check:	Daniel	2021-01-11	

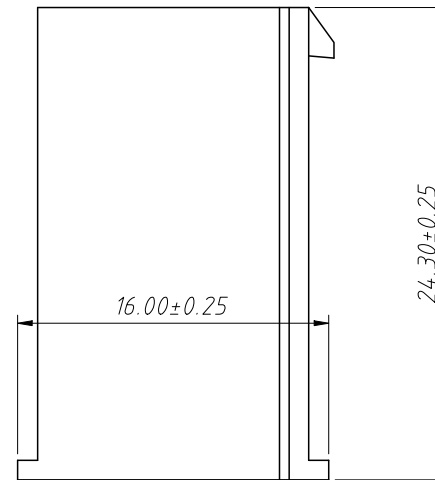
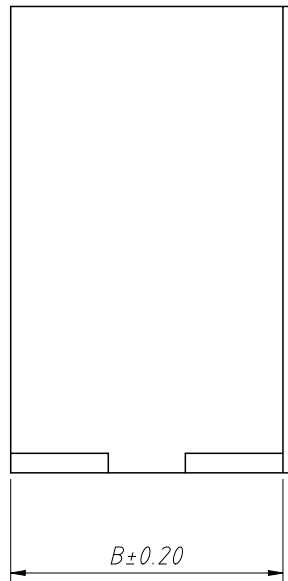
RoHS Compliance



Material:
Housing:PA66,UL94V-2,Natural

Electrical Characteristics:
Rated Current:9.0AMP
Voltage rating:600V AC,DC
Temperature range:-40°C ~ +105°C
Insulator Resistance:1000MΩ Min
Withstanding Voltage:1500V AC/minute
Contact Resistance:20mΩ Max

Pin	Dimensions(mm)	
	A	B
3×03	8.28	14.00
3×04	12.42	18.20
3×05	16.56	22.40



Order Information:
L-KLS1-FL-4.14-3×XX-FHW

- L: RoHS
- Pitch:4.14mm
- Row:1-Single layer
- 2-Double layer
- 3-Three layer
- XX-No. of 03~05 pins
- Type:

FH/FHW-Female Hosing MH-Male Hosing
FT-Female Terminal MT-Male Terminal
S-Straight male pin

ANGLE TOLERANCE	PROJECTION	Description:		
±3°		4.14mm Pitch 4.14 4.14 Wire To Board Connector		
GENERAL TOLERANCE	UNITS	mm	KLS P/N:	L-KLS1-FL-4.14-3×XX-FHW
x.x ±0.30	SHEET SIZE	A4		
x.xx ±0.20	Draw:	Daniel	2021-01-11	NingBo KLS ELECTRONIC CO.,LTD.
x.xxx ±0.10	Check:	Daniel	2021-01-11	