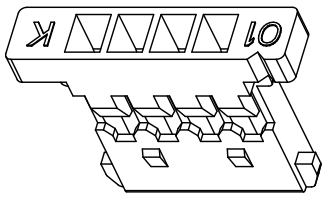
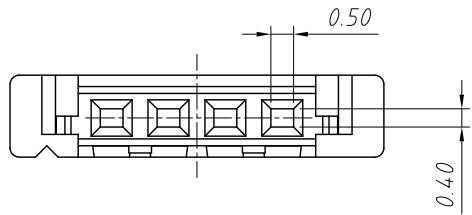


1
RoHS Compliance

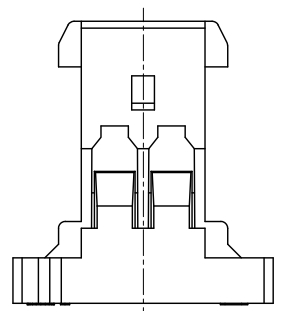
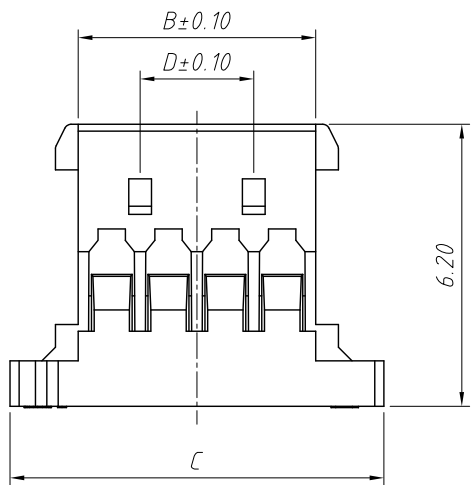


3D View

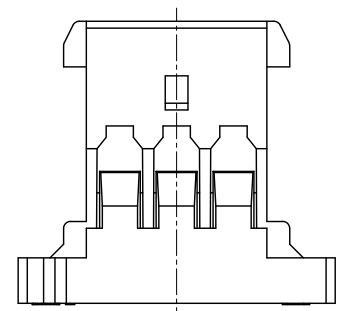
Material:
Housing: PA66 ,UL 94 V-0

Electrical Characteristics:
Current rating: 1.0A AC,DC
Voltage rating: 100V AC,DC
Temperature range: -25°C ~ + 85°C
Insulation resistance: 100MΩ/Min.
Withstanding voltage: 250V AC/minute
Contact resistance: 20mΩ/Max.

Pin	Dimensions(mm)			
	A	B	C	D
02	1.25	2.72	5.72	---
03	2.50	3.97	6.97	---
04	3.75	5.22	8.22	2.50
05	5.00	6.47	9.47	3.75
06	6.25	7.72	10.72	5.00
07	7.50	8.97	11.97	6.25
08	8.75	10.22	13.22	7.50
09	10.00	11.47	14.47	8.75
10	11.25	12.72	15.72	10.00
11	12.50	13.97	16.97	11.25
12	13.75	15.22	18.22	12.50
13	15.00	16.47	19.47	13.75
14	16.25	17.72	20.72	15.00
15	17.50	18.97	21.97	16.25
20	23.75	25.22	28.22	22.50
30	34.00	37.72	40.72	35.00



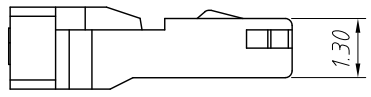
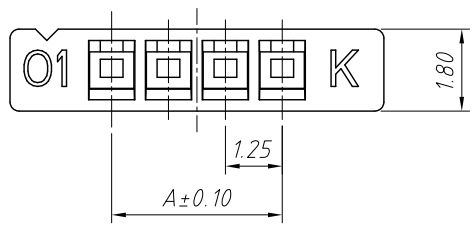
2P



3P

Order Information:
L-KLS1-XL3-1.25-XX-H

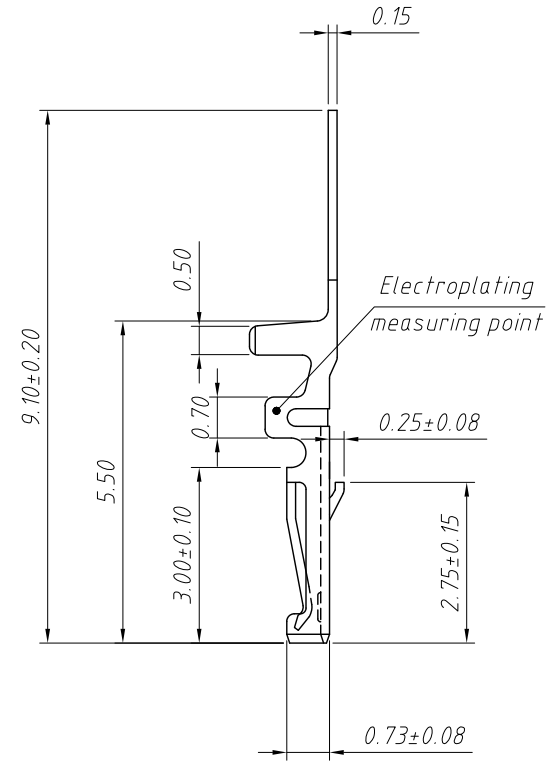
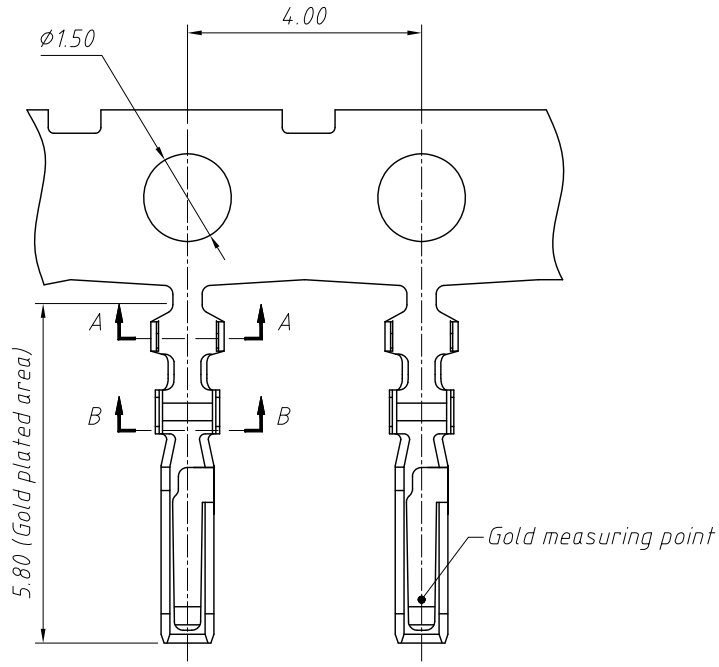
L: RoHS
Pitch: 1.25mm
XX-No. of 02 ~ 30 pins
Type: _____
H-Hosing T-Terminal
RM-Horizontal SMT Pin



ANGLE TOLERANCE	PROJECTION	Description:	1.25mm Pitch 51146 53780
±3°			Wire to board connector
GENERAL TOLERANCE	UNITS	mm	KLS P/N:
x.x ±0.30	SHEET SIZE	A4	L-KLS1-XL3-1.25-XX-H
x.xx ±0.20	Draw:	Daniel	2020-11-11
x.xxx ±0.10	Check:	Daniel	2020-11-11

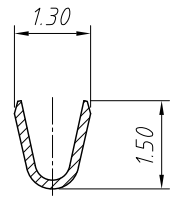


1
RoHS Compliance

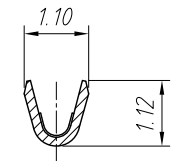


Material:
Terminal: Phosphor Bronze
Plating: Gold-plated Over Tin-plated
Applicable wires: AWG #28 ~ #32
Insulation O.D: 0.6 ~ 0.9mm

Electrical Characteristics:
Current rating: 1.0A AC,DC
Voltage rating: 125V AC,DC
Temperature range: -25°C ~ +85°C
Insulation resistance: 100MΩ/Min.
Withstanding voltage: 500V AC/minute
Contact resistance: 20mΩ/Max.



SECTION:A-A



SECTION:B-B

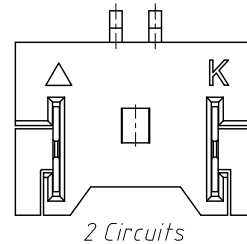
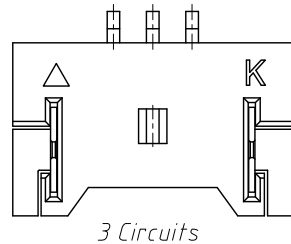
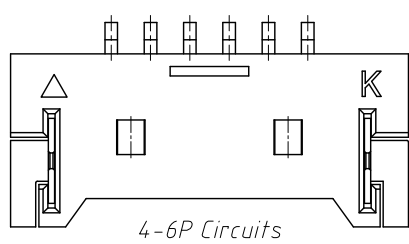
Order Information:
L-KLS1-XL3-1.25-T
L: RoHS
Pitch: 1.25mm
Type:
H-Hosing T-Terminal
RM-Horizontal SMT Pin

ANGLE TOLERANCE	PROJECTION	Description:	1.25mm Pitch 51146 53780
±3°			Wire to board connector
GENERAL TOLERANCE	UNITS	mm	KLS P/N:
x.x ±0.30	SHEET SIZE	A4	L-KLS1-XL3-1.25-T
x.xx ±0.20	Draw:	Daniel	2020-11-11
x.xxx ±0.10	Check:	Daniel	2020-11-11



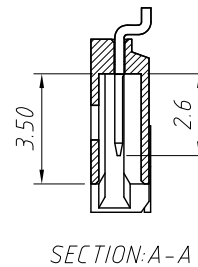
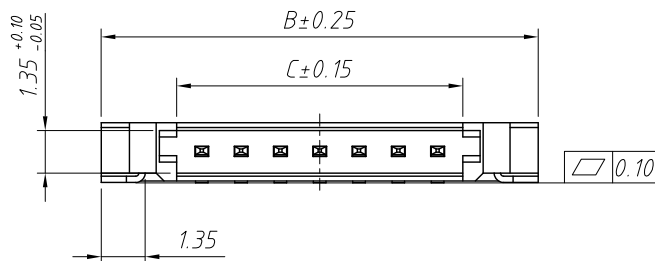
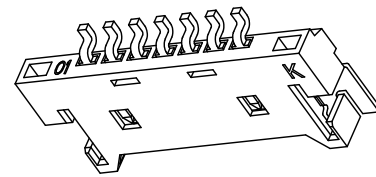
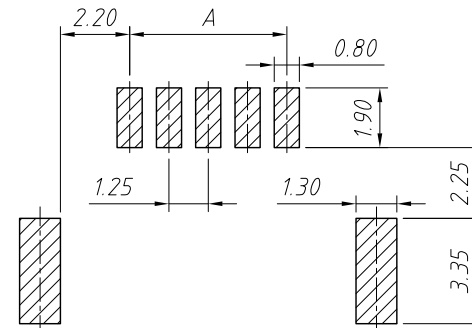
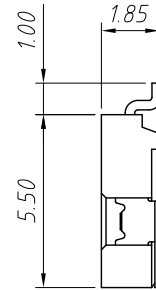
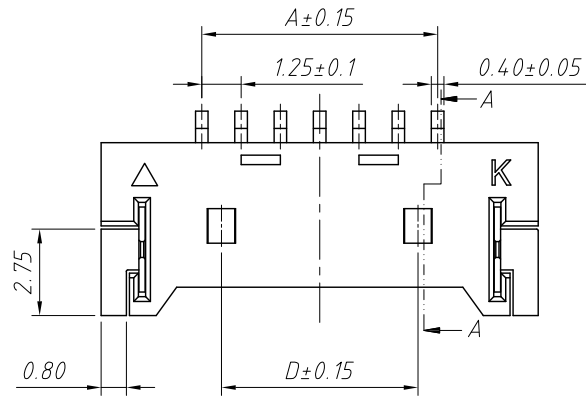
NingBo KLS ELECTRONIC CO.,LTD.

1 RoHS Compliance



Material:
 Insulator: High temperature thermoplastics
 Contact: Phosphor Bronze
 Solder Nail: Brass
 Plating: Gold plated over Nickel

Electrical Characteristics:
 Current rating: 1.0A AC,DC
 Voltage rating: 125V AC,DC
 Temperature range: -25°C ~ +85°C
 Insulation resistance: 100MΩ/Min.
 Withstanding voltage: 500V AC/minute
 Contact resistance: 20mΩ/Max.



Order Information:
 L-KLS1-XL3-1.25-XX-RM
 L: RoHS
 Pitch: 1.25mm
 XX-No. of 02~30 pins
 Type: _____
 H-Hosing T-Terminal
 RM-Horizontal SMT Pin

Pin	Dimensions (mm)			
	A	B	C	D
02	1.25	7.65	2.85	---
03	2.50	8.90	4.10	---
04	3.75	10.15	5.35	2.50
05	5.00	11.40	6.60	3.75
06	6.25	12.65	7.85	5.00
07	7.50	12.90	9.10	6.25
08	8.75	15.15	10.35	7.50
09	10.00	16.40	11.60	8.75
10	11.25	17.65	12.85	10.00
12	13.75	20.15	15.35	12.50
14	16.25	22.65	17.85	15.00
15	17.50	23.90	19.10	16.25
18	21.25	27.65	22.85	20.00
20	23.75	30.15	25.35	22.50
30	36.25	42.65	37.85	22.50

ANGLE TOLERANCE	PROJECTION	Description:
±3°		1.25mm Pitch 51146 53780 Wire to board connector
GENERAL TOLERANCE	UNITS	mm
x.x ±0.30	SHEET SIZE	A4
x.xx ±0.20	Draw:	Daniel 2020-11-11
x.xxx ±0.10	Check:	Daniel 2020-11-11

NingBo KLS ELECTRONIC CO.,L TD.