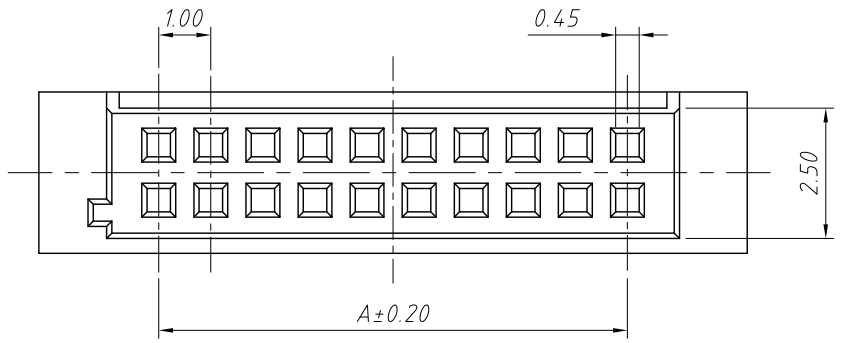


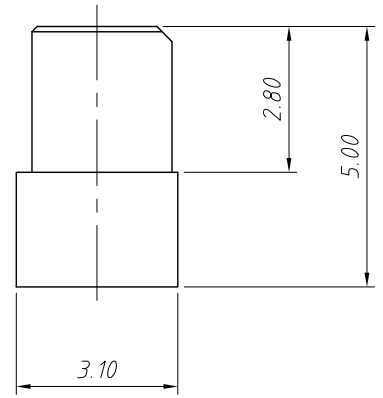
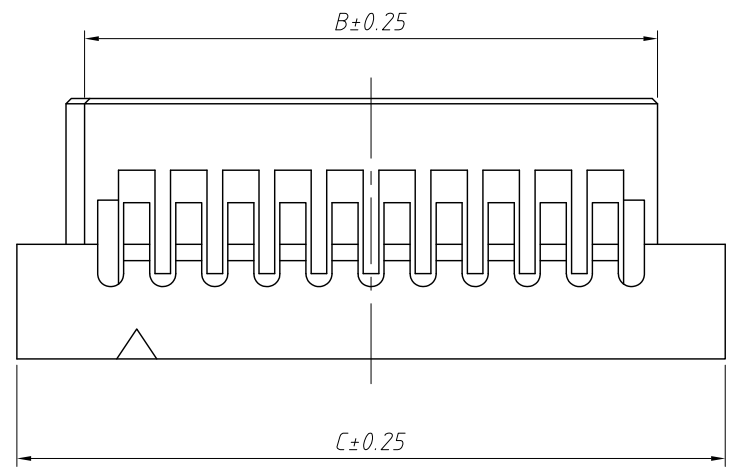
1
RoHS Compliance



Circuit	Dimensions(mm)		
	A	B	C
2×10	9.00	11.00	13.60
2×15	14.00	16.00	18.60
2×20	19.00	21.00	23.60
2×25	24.00	26.00	28.60

Material:
Housing: PA46 ,UL 94V-0,
Colour:Natural

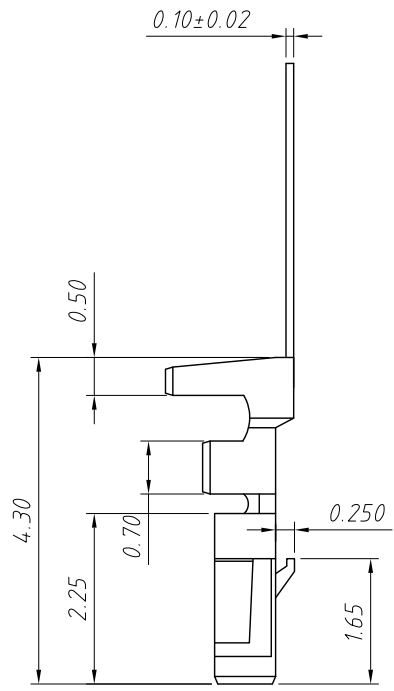
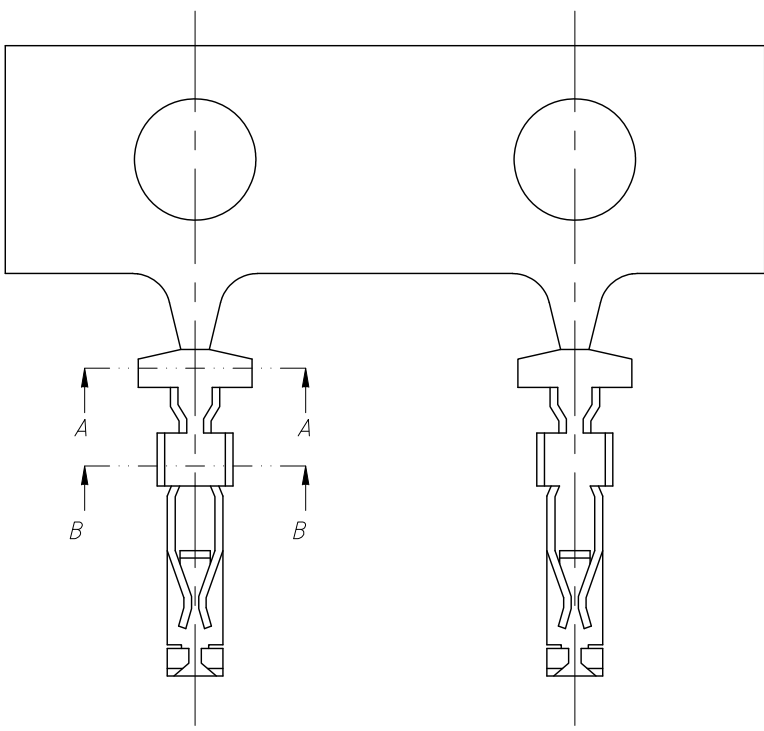
Electrical Characteristics:
Current rating:1.0A AC,DC
Voltage rating:50V AC,DC
Temperature range:-25°C ~ + 85°C
Insulation resistance:100MΩ/Min.
Withstanding voltage:500V AC/minute
Contact resistance:20mΩ/Max.



Order Information:
L-KLS1-XF5-1.00-XX-H
L: RoHS
1.00mm Pitch
XX-No.of 20 ~50pin
Type:
H-Hosing T-Terminal
RM-Horizontal SMT Pin

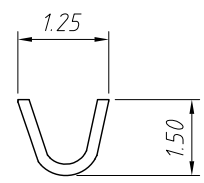
ANGLE TOLERANCE	PROJECTION	Description:		
±3°		1.00mm Pitch wire to board connector		
GENERAL TOLERANCE	UNITS	mm	KLS P/N:	L-KLS1-XF5-1.00-XX-H
x.x ±0.30	SHEET SIZE	A4		
x.xx ±0.20	Draw:	Daniel	2020-11-11	NingBo KLS ELECTRONIC CO.,L TD.
x.xxx ±0.10	Check:	Daniel	2020-11-11	

1
RoHS Compliance

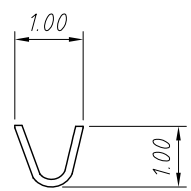


Material:
Terminal: Phosphor Bronze
Finish: Gold plated
Applicable wires: AWG #28 ~ #34
Insulation O.D.: 0.8mm Max.

Electrical Characteristics:
Current rating: 1.0A AC, DC
Voltage rating: 50V AC, DC
Temperature range: -25°C ~ +85°C
Insulation resistance: 100MΩ/Min.
Withstanding voltage: 500V AC/minute
Contact resistance: 20mΩ/Max.



SECTION A-A



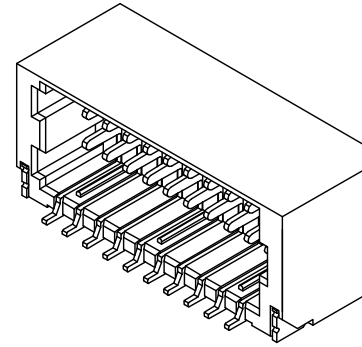
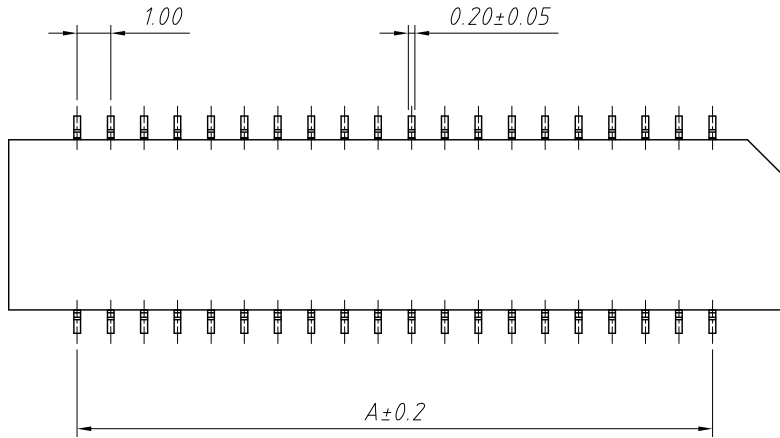
SECTION B-B

Order Information:
L-KLS1-XF5-1.00-T
L: RoHS
1.00mm Pitch
Type: _____
H-Hosing T-Terminal
RM-Horizontal SMT Pin

ANGLE TOLERANCE	PROJECTION	Description:		
±3°		1.00mm Pitch wire to board connector		
GENERAL TOLERANCE	UNITS	mm	KLS P/N:	L-KLS1-XF5-1.00-T
x.x ±0.30	SHEET SIZE	A4		
x.xx ±0.20	Draw:	Daniel	2020-11-11	
x.xxx ±0.10	Check:	Daniel	2020-11-11	

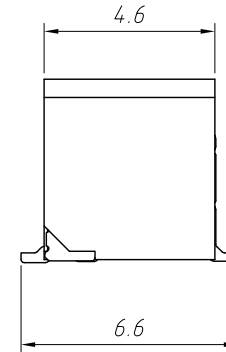
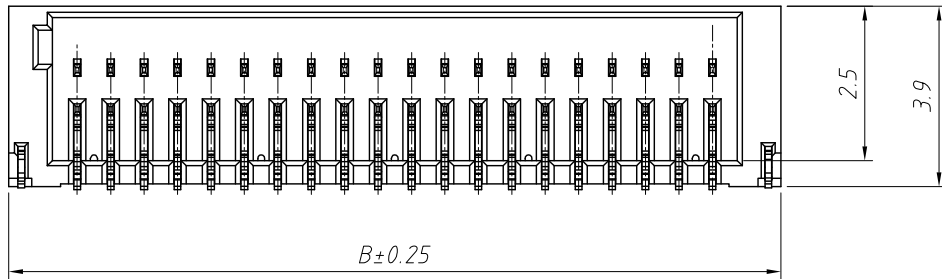
NingBo KLS ELECTRONIC CO.,L TD.

1 RoHS Compliance

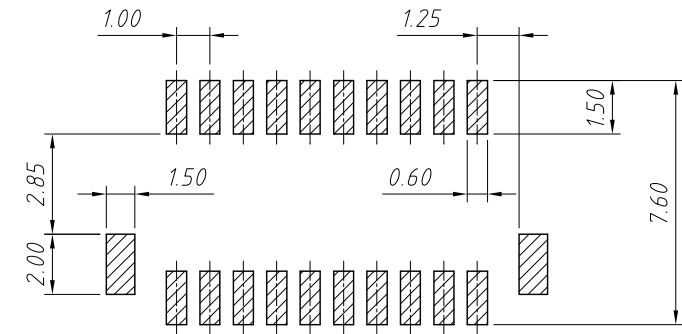


Material:
 Housing: PA6T, UL 94V-0,
 Contact: Phosphor Bronze
 Solder Nail: Brass
 Plating: Tin plated over Nickel

Electrical Characteristics:
 Current rating: 1.0A AC, DC
 Voltage rating: 50V AC, DC
 Temperature range: -25°C ~ +85°C
 Insulation resistance: 100MΩ/Min.
 Withstanding voltage: 500V AC/minute
 Contact resistance: 20mΩ/Max.



Order Information:
 L-KLS1-XF5-1.00-XX-RM
 L: RoHS
 1.00mm Pitch
 XX-No. of 20 ~ 50pin
 Type: _____
 H-Hosing T-Terminal
 RM-Horizontal SMT Pin



Recommended PCB Layout

Circuit	Dimensions(mm)	
	A	B
2×06	5.00	8.60
2×08	7.00	10.60
2×10	9.00	12.60
2×15	14.00	17.60
2×20	19.00	22.60
2×25	24.00	27.60

ANGLE TOLERANCE	PROJECTION	Description:
±3°		1.00mm Pitch wire to board connector
GENERAL TOLERANCE	UNITS	mm
x.x ±0.30	SHEET SIZE	A4
x.xx ±0.20	Draw:	Daniel 2020-11-11
x.xxx ±0.10	Check:	Daniel 2020-11-11



NingBo KLS ELECTRONIC CO.,LTD.