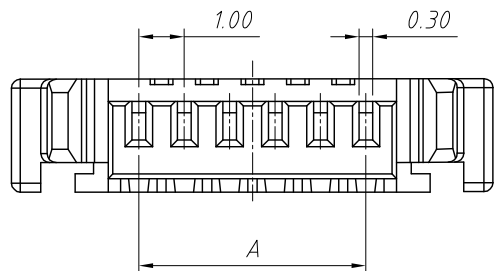


1  
RoHS Compliance



**Material:**

Housing:PA66 ,UL 94V-0,  
Colour:White

**Electrical Characteristics:**

Current rating:1.0A AC,DC  
Voltage rating:125V AC,DC  
Temperature range:-25°C ~ + 85°C  
Insulation resistance:100M $\Omega$ /Min.  
Withstanding voltage:500V AC/minute  
Contact resistance:20m $\Omega$ /Max.

Poles	Dimensions(mm)		
	A	B	C
02	1.00	3.00	2.40
03	2.00	4.00	3.40
04	3.00	5.00	4.40
05	4.00	6.00	5.40
06	5.00	7.00	6.40
07	6.00	8.00	7.40
08	7.00	9.00	8.40
09	8.00	10.00	9.40
10	9.00	11.00	10.40
11	10.00	12.00	11.40
12	11.00	13.00	12.40
13	12.00	14.00	13.40
14	13.00	15.00	14.40
15	14.00	16.00	15.40
16	15.00	17.00	16.40
17	16.00	18.00	17.40
18	17.00	19.00	18.40
19	18.00	20.00	19.40
20	19.00	21.00	20.40

B

C

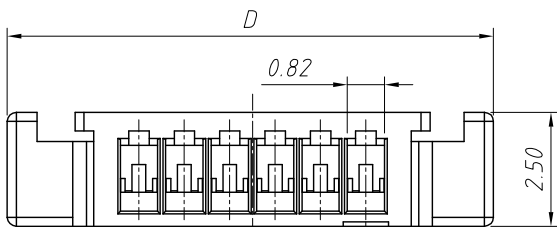
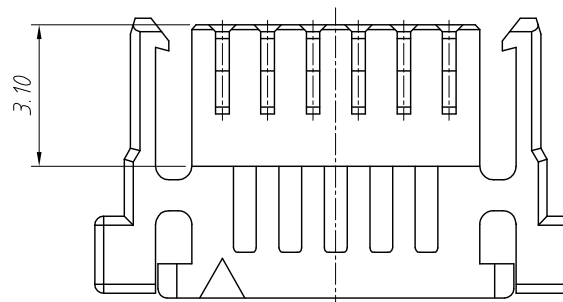
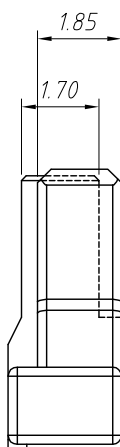
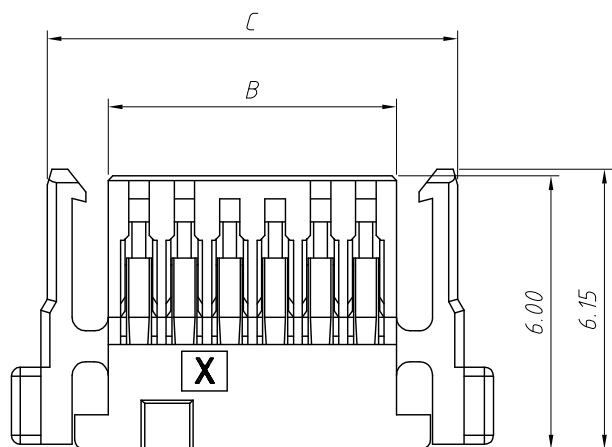
D

E

F

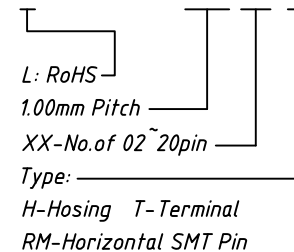
G

H



**Order Information:**

L-KLS1-XF7-1.00-XX-H

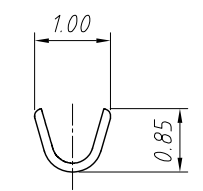
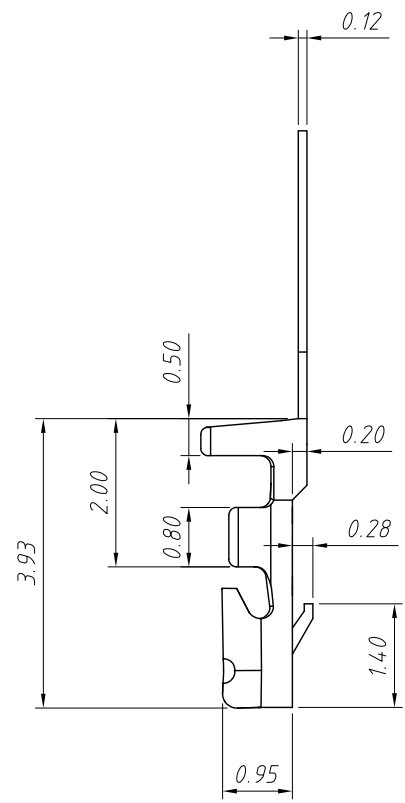
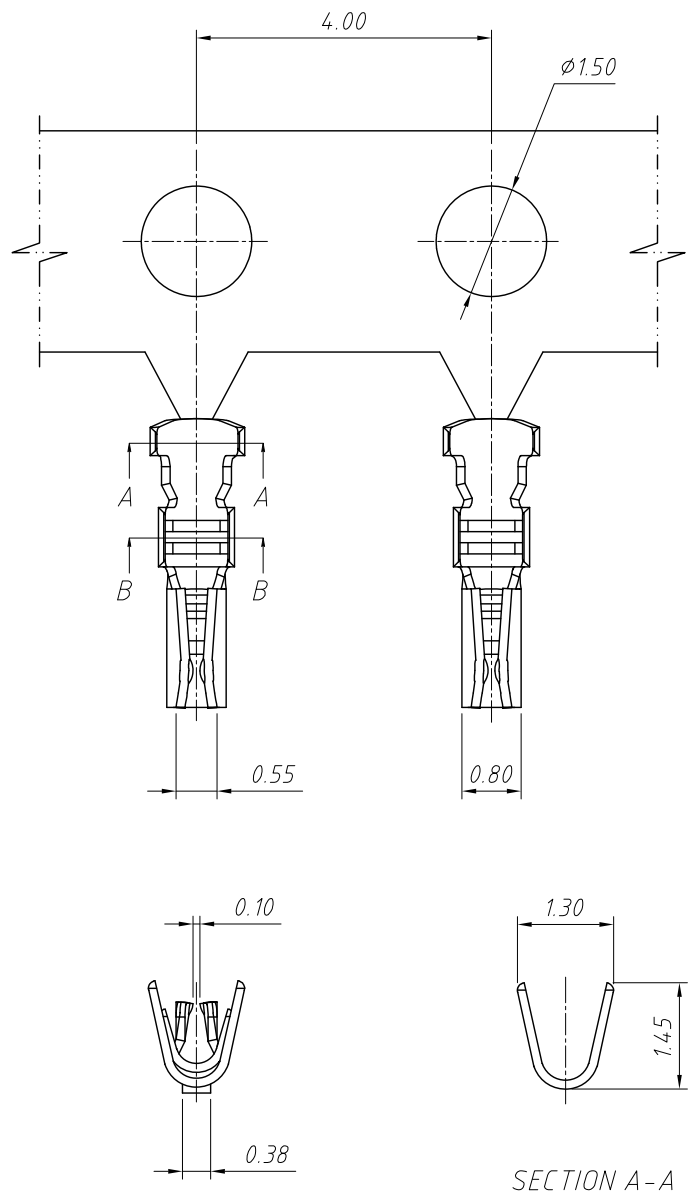


ANGLE TOLERANCE	PROJECTION	Description:	1.00mm Pitch SHJP Wire to board connector
$\pm 3^\circ$			
GENERAL TOLERANCE	UNITS	mm	KLS P/N:
x.x $\pm 0.30$	SHEET SIZE	A4	L-KLS1-XF7-1.00-XX-H
x.xx $\pm 0.20$	Draw:	Daniel	2020-11-11
x.xxx $\pm 0.10$	Check:	Daniel	2020-11-11



NingBo KLS ELECTRONIC CO.,LTD.

1  
RoHS Compliance



SECTION B-B

**Material:**  
Terminal: Phosphor Bronze  
Finish: Tin plated  
Applicable wires: AWG #28 ~ #32  
Insulation O.D.: 0.92mm Max.  
Qty/reel: 20000PCS

**Electrical Characteristics:**  
Current rating: 1.0A AC,DC  
Voltage rating: 125V AC,DC  
Temperature range: -25°C ~ +85°C  
Insulation resistance: 100M $\Omega$ /Min.  
Withstanding voltage: 500V AC/minute  
Contact resistance: 20m $\Omega$ /Max.

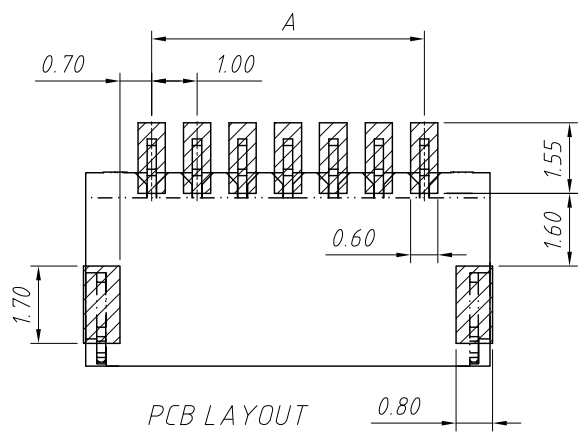
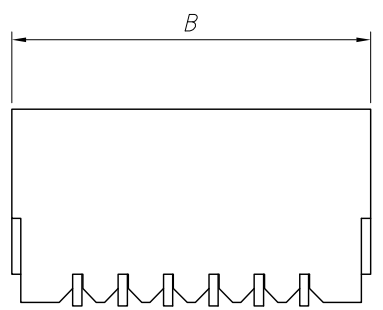
**Order Information:**  
L-KLS1-XF7-1.00-T

L: RoHS  
1.00mm Pitch  
Type: \_\_\_\_\_  
H-Hosing T-Terminal  
RM-Horizontal SMT Pin

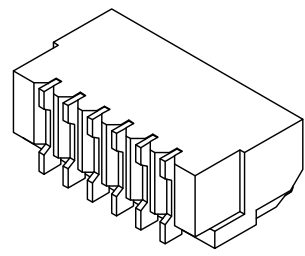
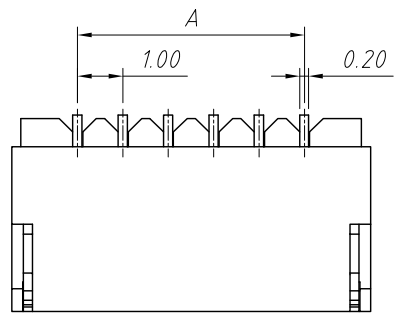
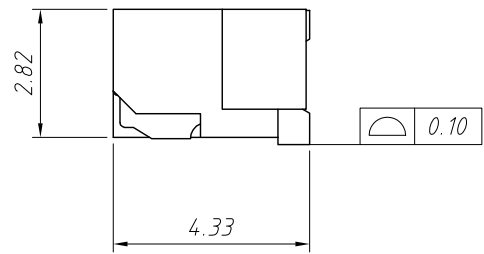
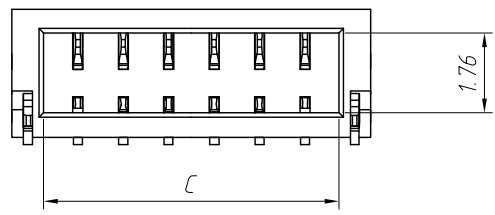
ANGLE TOLERANCE	PROJECTION	Description:	1.00mm Pitch SHJP
$\pm 3^\circ$			Wire to board connector
GENERAL TOLERANCE	UNITS	mm	KLS P/N:
x.x $\pm 0.30$	SHEET SIZE	A4	L-KLS1-XF7-1.00-T
x.xx $\pm 0.20$	Draw:	Daniel	2020-11-11
x.xxx $\pm 0.10$	Check:	Daniel	2020-11-11



1  
RoHS Compliance



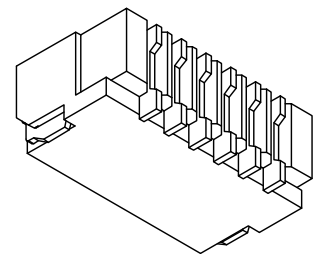
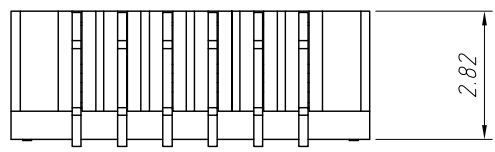
Poles	Dimensions(mm)		
	A	B	C
02	1.00	3.90	2.50
03	2.00	4.90	3.50
04	3.00	5.90	4.50
05	4.00	6.90	5.50
06	5.00	7.90	6.50
07	6.00	8.90	7.50
08	7.00	9.90	8.50
09	8.00	10.90	9.50
10	9.00	11.90	10.50
11	10.00	12.90	11.50
12	11.00	13.90	12.50
13	12.00	14.90	13.50
14	13.00	15.90	14.50
15	14.00	16.90	15.50
16	15.00	17.90	16.50
17	16.00	18.90	17.50
18	17.00	19.90	18.50
19	18.00	20.90	19.50
20	19.00	21.90	20.50



**Material:**  
 Wafer: PA9T, UL 94V-0, Colour: Natural  
 Contact: Brass, Tin plated  
 Solder Tabs: Brass, Tin-plated

**Electrical Characteristics:**  
 Current rating: 1.0A AC, DC  
 Voltage rating: 125V AC, DC  
 Temperature range: -25°C ~ +85°C  
 Insulation resistance: 100MΩ/Min.  
 Withstanding voltage: 500V AC/minute  
 Contact resistance: 20mΩ/Max.

**Order Information:**  
 L-KLS1-XF7-1.00-XX-RM  
 L: RoHS  
 1.00mm Pitch  
 XX-No. of 02 ~ 20pin  
 Type:  
 H-Hosing T-Terminal  
 RM-Horizontal SMT Pin



ANGLE TOLERANCE	PROJECTION	Description:	1.00mm Pitch SHJP
±3°			Wire to board connector
GENERAL TOLERANCE	UNITS	mm	KLS P/N:
x.x ±0.30	SHEET SIZE	A4	L-KLS1-XF7-1.00-XX-RM
x.xx ±0.20	Draw:	Daniel	2020-11-11
x.xxx ±0.10	Check:	Daniel	2020-11-11



NingBo KLS ELECTRONIC CO.,LTD.