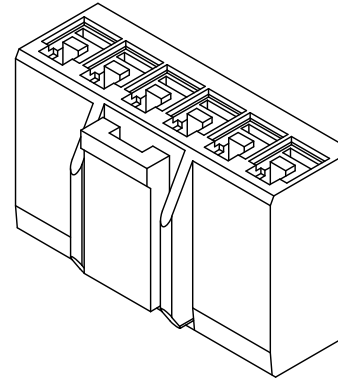
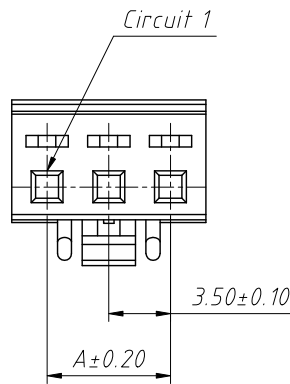
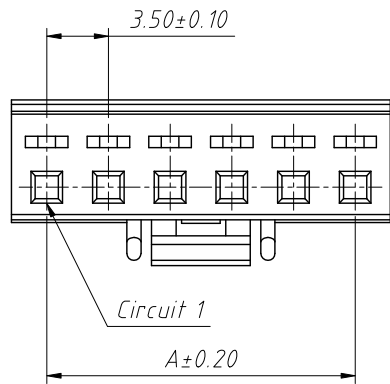
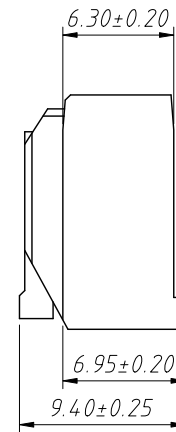
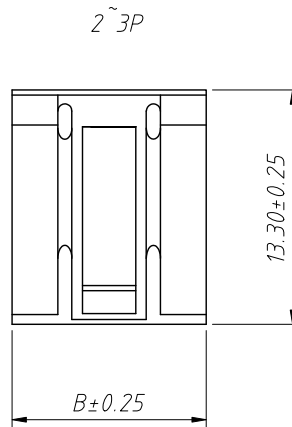
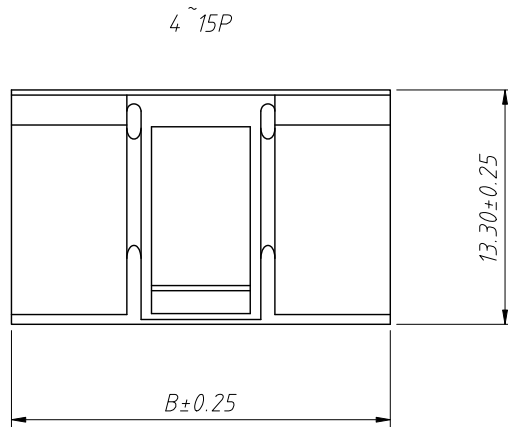


RoHS Compliance



Material:
Housing: PA66, UL 94V-0
Color: Blank-Natural Color

Electrical Characteristics:
Current rating: 5.5A AC, DC
Voltage rating: 250V AC, DC
Insulation resistance: 1000M Ω Min.
Withstanding voltage: 1500V AC minute
Contact resistance: 10m Ω Max.
After environmental testing: 20m Ω Max.
Temperature range: -25 $^{\circ}$ C ~ +85 $^{\circ}$ C



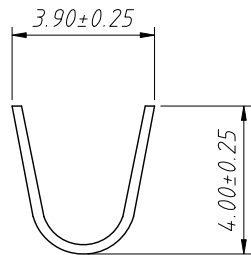
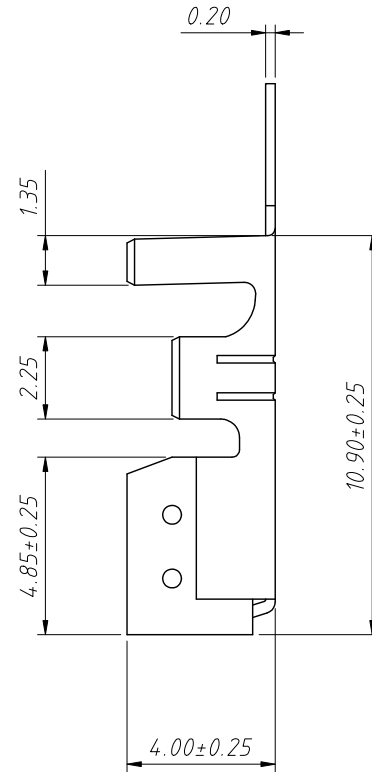
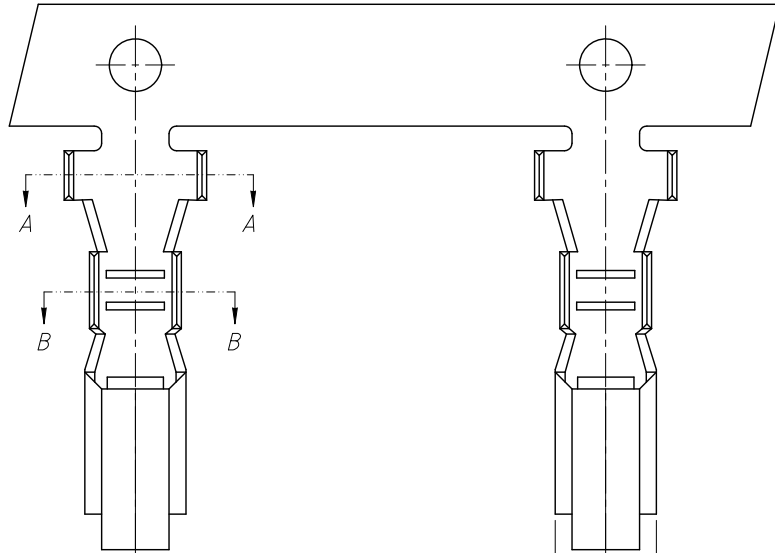
Pin	Dimensions (mm)	
	A	B
02	3.50	7.50
03	7.00	11.00
04	10.50	14.50
05	14.00	18.00
06	17.50	21.50
07	21.00	25.00
08	24.50	28.50
09	28.00	32.00
10	31.50	35.50
11	35.00	39.00
12	38.50	42.50
13	42.00	46.00
14	45.50	49.50
15	49.00	53.00

Order Information:
L-KLS1-XL1-3.50-XX-H

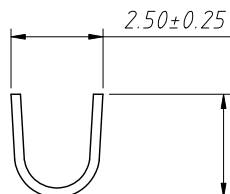
L: RoHS
 Wire To Board
 Connector
 Pitch: 3.50mm
 XX-No. of 02~15 pins
 Type:
 H-Housing T-Terminal
 S-Straight male pin
 R-Right angle male pin

ANGLE TOLERANCE	PROJECTION	Description:	3.50mm Pitch Mighty-SPOX 51067 Wire To Board Connector
$\pm 3^{\circ}$			
GENERAL TOLERANCE	UNITS	mm	KLS P/N: L-KLS1-XL1-3.50-XX-H
x.x ± 0.30	SHEET SIZE	A4	NingBo KLS ELECTRONIC CO.,L TD.
x.xx ± 0.20	Draw:	Daniel 2020-11-11	
x.xxx ± 0.10	Check:	Daniel 2020-11-11	

RoHS Compliance



Section:A-A
Scale: 1:1



Section:B-B
Scale: 1:1

Material:

Terminal:Phosphor bronze

Finish : Bright tin plating

Electrical Characteristics:

Current rating:5.5A AC,DC

Voltage rating:250V AC,DC

Insulationresistance:1000M Ω Min.

Withstanding voltage:1500V AC minute

Contact resistance:10m Ω Max.

After environmental testing:20m Ω Max.

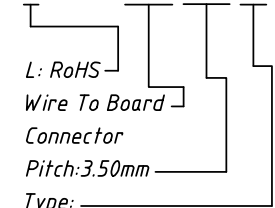
Wire Range:AWG#18-24

Insulation O.D.:3.20mm(Max)

Temperature range:-25°C ~ +85°C

Order Information:

L-KLS1-XL1-3.50-T



H-Housing T-Terminal

S-Straight male pin

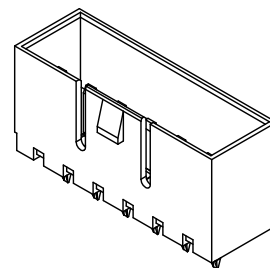
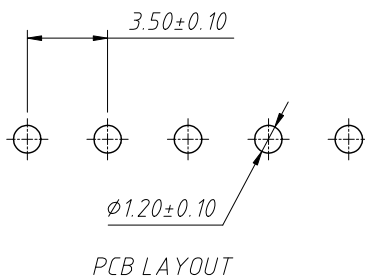
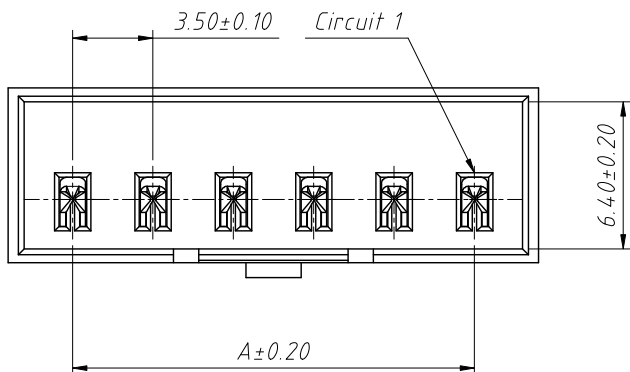
R-Right angle male pin

ANGLE TOLERANCE	PROJECTION	Description:	3.50mm Pitch Mighty-SPOX
$\pm 3^\circ$			51067 Wire To Board Connector
GENERAL TOLERANCE	UNITS	mm	KLS P/N:
x.x ± 0.30	SHEET SIZE	A4	L-KLS1-XL1-3.50-T
x.xx ± 0.20	Draw:	Daniel	2020-11-11
x.xxx ± 0.10	Check:	Daniel	2020-11-11



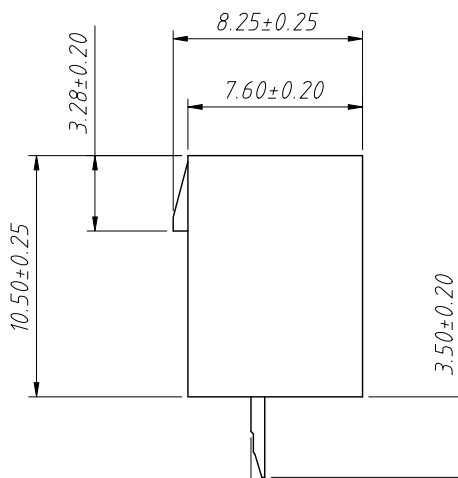
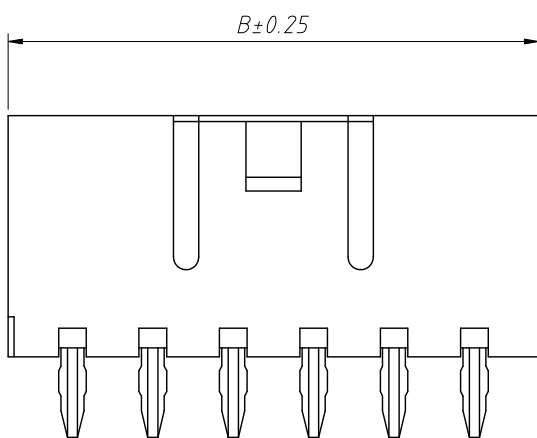
NingBo KLS ELECTRONIC CO.,L TD.

RoHS Compliance



Material:
 Housing: PA66, UL 94 V-0
 Color: Blank-Natural Color
 Pin: Brass, Bright Tin Plating

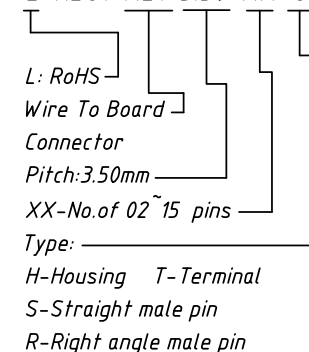
Electrical Characteristics:
 Current rating: 5.5A AC, DC
 Voltage rating: 250V AC, DC
 Insulation resistance: 1000M Ω Min.
 Withstanding voltage: 1500V AC minute
 Contact resistance: 10m Ω Max.
 After environmental testing: 20m Ω Max.
 Temperature range: -25°C ~ +85°C



Pin	Dimensions (mm)	
	A	B
02	3.50	9.10
03	7.00	12.60
04	10.50	16.10
05	14.00	19.60
06	17.50	23.10
07	21.00	26.60
08	24.50	30.10
09	28.00	33.60
10	31.50	37.10
11	35.00	40.60
12	38.50	44.10
13	42.00	47.60
14	45.50	51.10
15	49.00	54.60

Order Information:

L-KLS1-XL1-3.50-XX-S

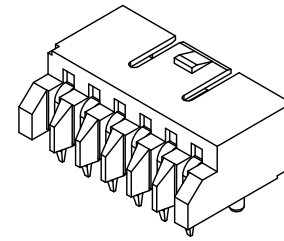
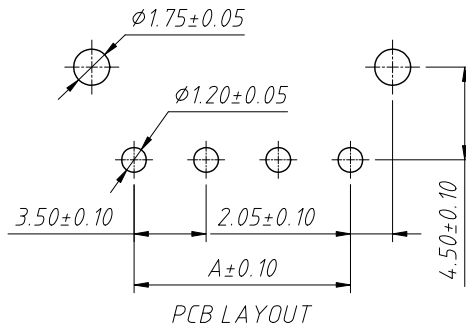
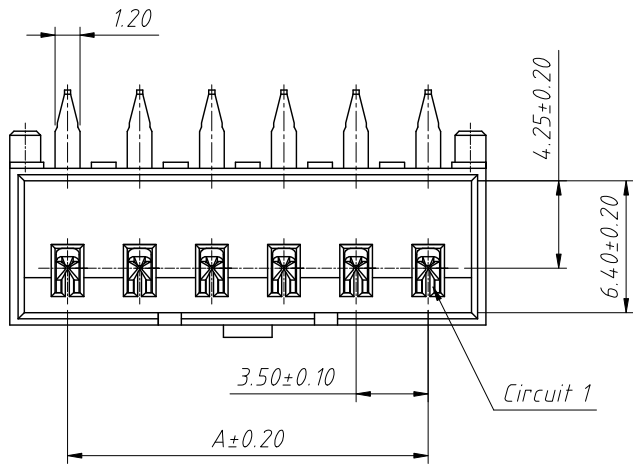


ANGLE TOLERANCE	PROJECTION	Description:	3.50mm Pitch Mighty-SPOX 51067 Wire To Board Connector
$\pm 3^\circ$			
GENERAL TOLERANCE	UNITS	mm	KLS P/N: L-KLS1-XL1-3.50-XX-S
x.x ± 0.30	SHEET SIZE	A4	
x.xx ± 0.20	Draw:	Daniel	2020-11-11
x.xxx ± 0.10	Check:	Daniel	2020-11-11



NingBo KLS ELECTRONIC CO.,L TD.

1 RoHS Compliance



Material:

Housing: PA66, UL 94 V-0

Color: Blank-Natural Color

Pin: Brass, Bright Tin Plating

Electrical Characteristics:

Current rating: 5.5A AC, DC

Voltage rating: 250V AC, DC

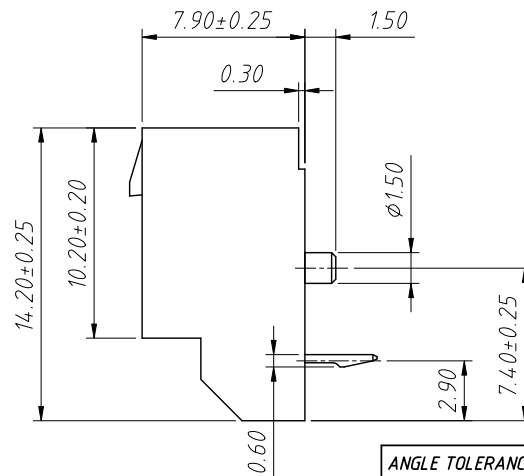
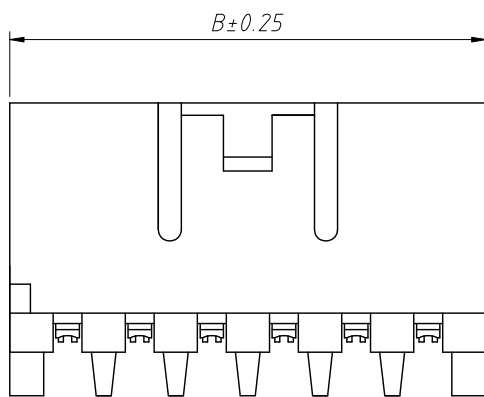
Insulation resistance: 1000M Ω Min.

Withstanding voltage: 1500V AC minute

Contact resistance: 10m Ω Max.

After environmental testing: 20m Ω Max.

Temperature range: -25°C ~ +85°C



Pin	Dimensions(mm)	
	A	B
02	3.50	9.10
03	7.00	12.60
04	10.50	16.10
05	14.00	19.60
06	17.50	23.10
07	21.00	26.60
08	24.50	30.10
09	28.00	33.60
10	31.50	37.10
11	35.00	40.60
12	38.50	44.10
13	42.00	47.60
14	45.50	51.10
15	49.00	54.60

Order Information:

L-KLS1-XL1-3.50-XX-R

L: RoHS

Wire To Board

Connector

Pitch: 3.50mm

XX-No. of 02~15 pins

Type:

H-Housing T-Terminal

S-Straight male pin

R-Right angle male pin

ANGLE TOLERANCE	PROJECTION	Description:
$\pm 3^\circ$		3.50mm Pitch Mighty-SPOX 51067 Wire To Board Connector
GENERAL TOLERANCE	UNITS	mm
x.x ± 0.30	SHEET SIZE	A4
x.xx ± 0.20	Draw:	Daniel 2020-11-11
x.xxx ± 0.10	Check:	Daniel 2020-11-11



NingBo KLS ELECTRONIC CO.,LTD.