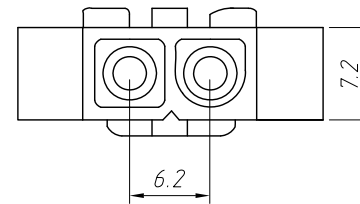
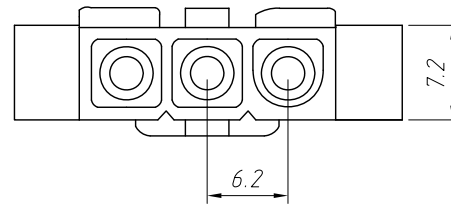
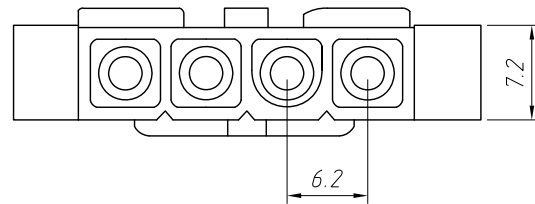
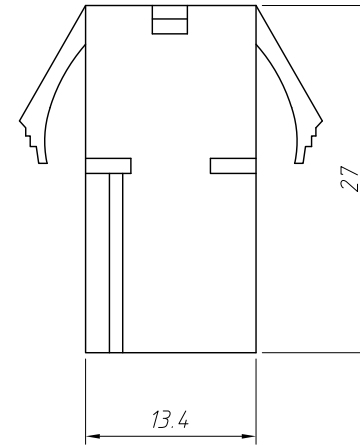
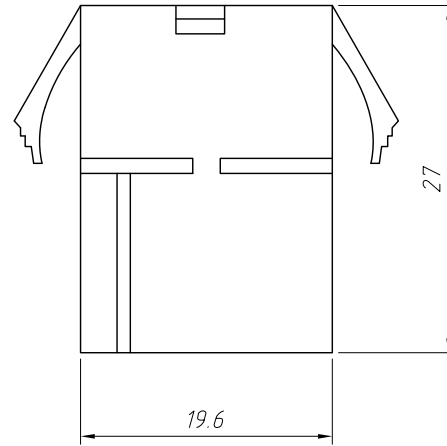
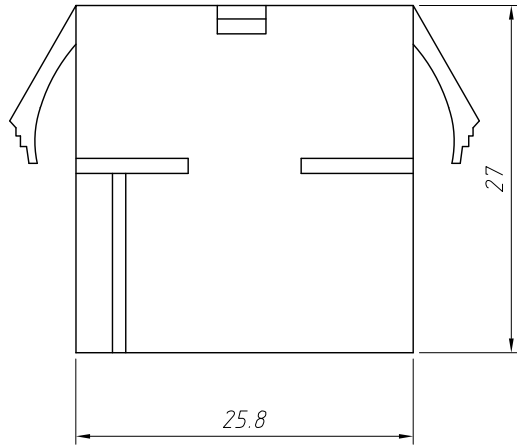


1  
RoHS Compliance



L-KLS1-XM1-6.20-1x04-FH

L-KLS1-XM1-6.20-1x03-FH

L-KLS1-XM1-6.20-1x02-FH

**Specifications**

Material: Nylon66 UL 94V-2

**Electrical Characteristics:**

Current rating:10A AC,DC

Voltage rating:300V AC,DC

Temperature range:-45℃~+85℃

Insulation resistance:1000MΩ/Min.

Withstanding voltage:5000V AC/minute

Contact resistance:10mΩ/Max.

**Order Information:**

L-KLS1-XM1-6.20-1xXX-FH

L: RoHS

Wire To Wire

Connector

Pitch:6.20mm

Pins:1=Single layer

2=Double layer 3=Three layer

Pin Number:1~15 pins

MH=Male Hosing / FH=Female Hosing

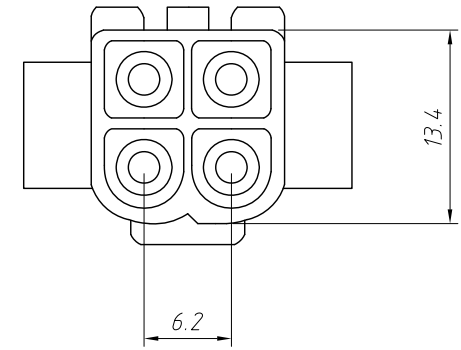
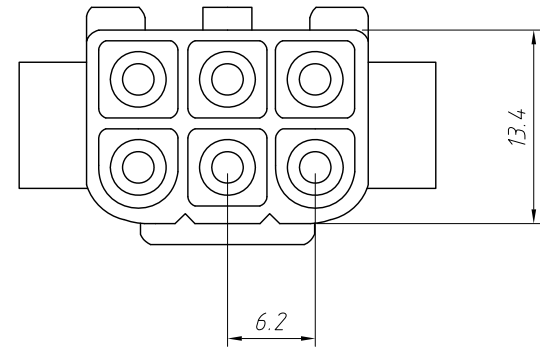
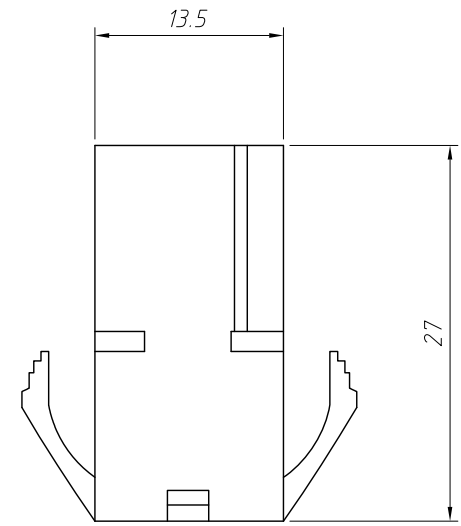
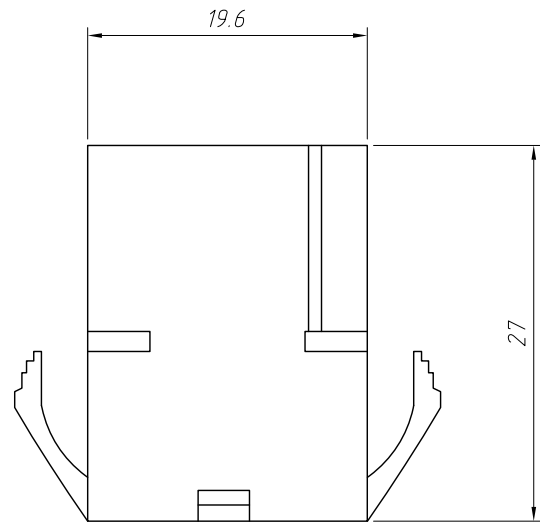
MT=Male Terminal / FT=Female Terminal

ANGLE TOLERANCE	PROJECTION	Description:	
±3°		6.20mm L Type Wire To Wire Connector	
GENERAL TOLERANCE	UNITS	mm	KLS P/N:
x.x ±0.30	SHEET SIZE	A4	L-KLS1-XM1-6.20-1xXX-FH
x.xx ±0.20	Draw:	Daniel	2020-11-11
x.xxx ±0.10	Check:	Daniel	2020-11-11



NingBo KLS ELECTRONIC CO.,L TD.

1  
RoHS Compliance



L-KLS1-XM1-6.20-2x03-FH

L-KLS1-XM1-6.20-2x02-FH

**Specifications**

Material: Nylon66 UL 94V-2

**Electrical Characteristics:**

Current rating:10A AC,DC

Voltage rating:300V AC,DC

Temperature range:-45℃~+85℃

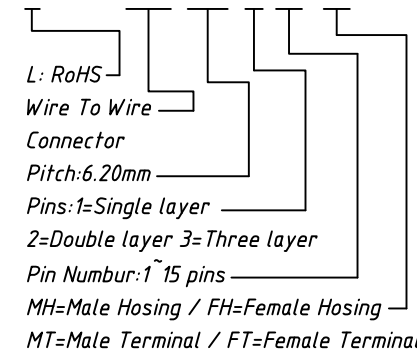
Insulationresistance:1000MΩ/Min.

Withstanding voltage:5000V AC/minute

Contact resistance:10mΩ/Max.

**Order Information:**

L-KLS1-XM1-6.20-2xXX-FH

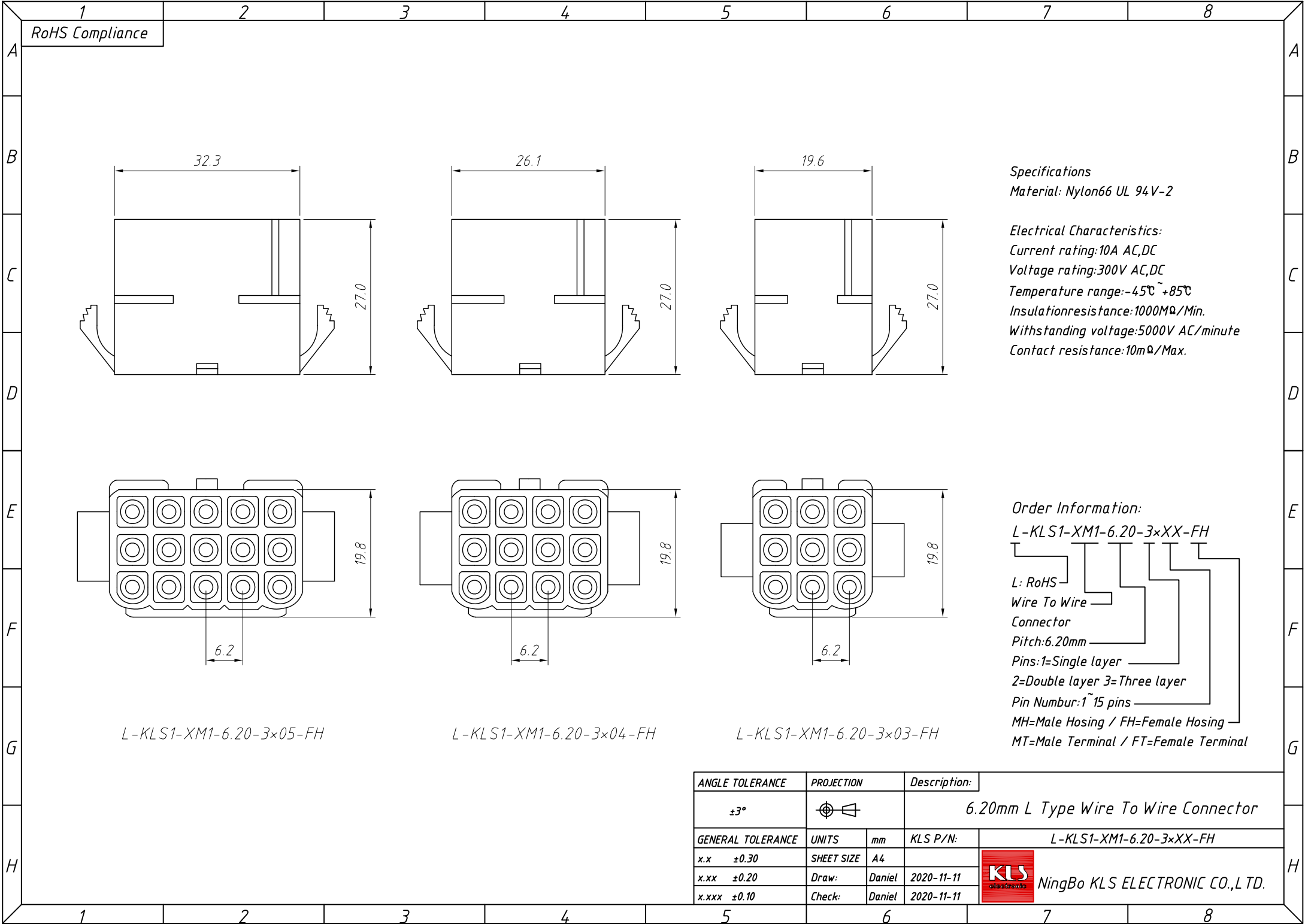


ANGLE TOLERANCE	PROJECTION	Description:	
±3°		6.20mm L Type Wire To Wire Connector	
GENERAL TOLERANCE	UNITS	mm	KLS P/N:
x.x ±0.30	SHEET SIZE	A4	L-KLS1-XM1-6.20-2xXX-FH
x.xx ±0.20	Draw:	Daniel	2020-11-11
x.xxx ±0.10	Check:	Daniel	2020-11-11



NingBo KLS ELECTRONIC CO.,L TD.

1  
RoHS Compliance



**Specifications**

Material: Nylon66 UL 94V-2

**Electrical Characteristics:**

Current rating:10A AC,DC

Voltage rating:300V AC,DC

Temperature range:-45℃~+85℃

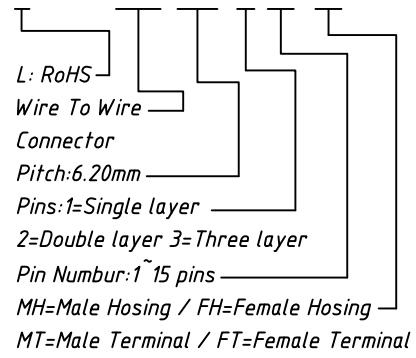
Insulation resistance:1000MΩ/Min.

Withstanding voltage:5000V AC/minute

Contact resistance:10mΩ/Max.

**Order Information:**

L-KLS1-XM1-6.20-3×XX-FH



L-KLS1-XM1-6.20-3×05-FH

L-KLS1-XM1-6.20-3×04-FH

L-KLS1-XM1-6.20-3×03-FH

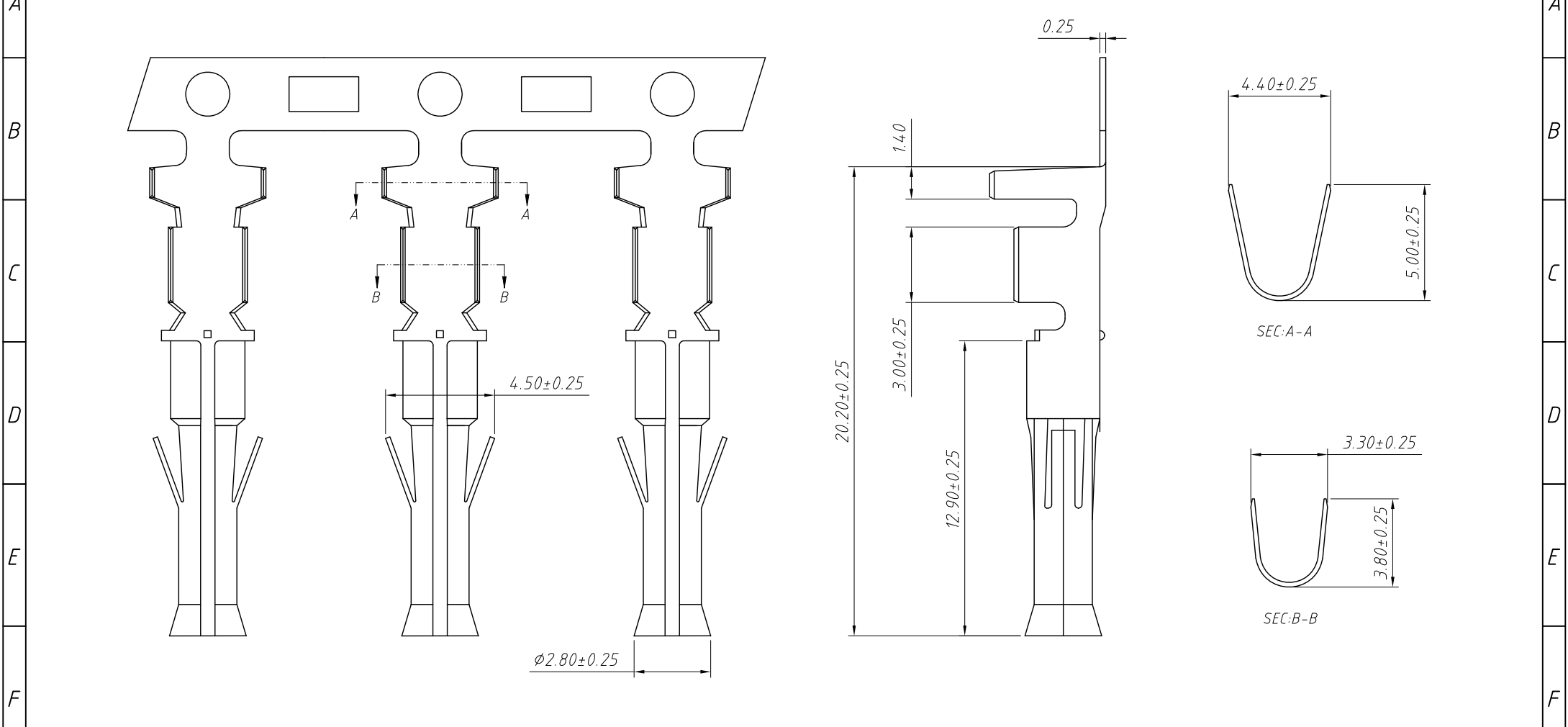
ANGLE TOLERANCE	PROJECTION	Description:	
±3°		6.20mm L Type Wire To Wire Connector	
GENERAL TOLERANCE	UNITS	mm	KLS P/N:
x.x ±0.30	SHEET SIZE	A4	L-KLS1-XM1-6.20-3×XX-FH
x.xx ±0.20	Draw:	Daniel	2020-11-11
x.xxx ±0.10	Check:	Daniel	2020-11-11



NingBo KLS ELECTRONIC CO.,L TD.

1  
RoHS Compliance

2 3 4 5 6 7 8

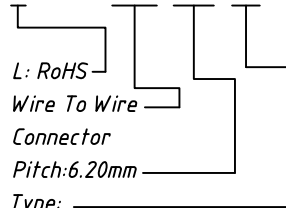


**Specifications**

Terminal : Phosphor Bronze  
 Finish : Plated Tin or Gold Flash  
 Lead over Nickel  
 Current rating:10A AC,DC  
 Voltage rating:300V AC,DC  
 Temperature range:-45℃~+85℃  
 Insulation resistance:1000MΩ/Min.  
 Withstanding voltage:5000V AC/minute  
 Contact resistance:10mΩ/Max.

**Order Information:**

L-KLS1-XM1-6.20-FT



L: RoHS  
 Wire To Wire  
 Connector  
 Pitch:6.20mm  
 Type:  
 MT=Male Terminal  
 FT=Female Terminal

**Ordering information Specifications**

Part No	Wire Range	Insultion O.D	Material	Finish	Qty/reel
6.20-FT	AWG#14-#24	4.10mm(max)	Brass	Tin over nickel	2500 PCS

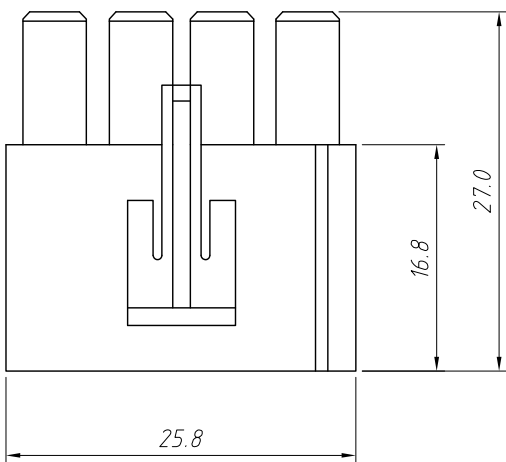
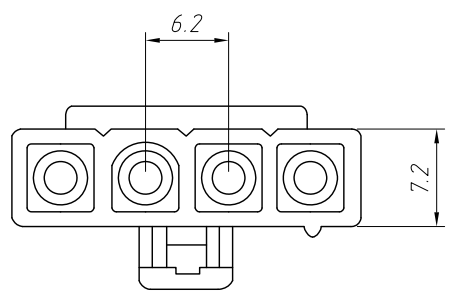
ANGLE TOLERANCE	PROJECTION	Description:			
±3°		6.20mm L Type Wire To Wire Connector			
GENERAL TOLERANCE	UNITS	mm	KLS P/N:	L-KLS1-XM1-6.20-FT	
x.x ±0.30	SHEET SIZE	A4		NingBo KLS ELECTRONIC CO.,L TD.	
x.xx ±0.20	Draw:	Daniel	2020-11-11		
x.xxx ±0.10	Check:	Daniel	2020-11-11		

1 2 3 4 5 6 7 8

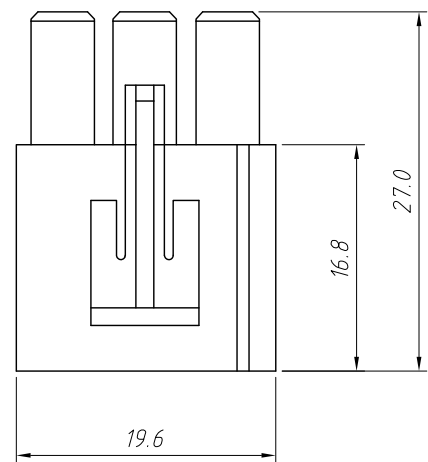
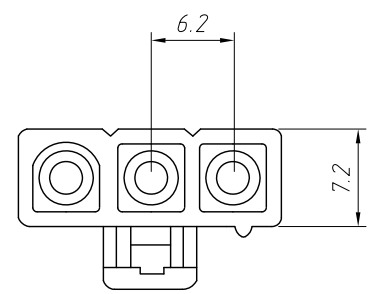
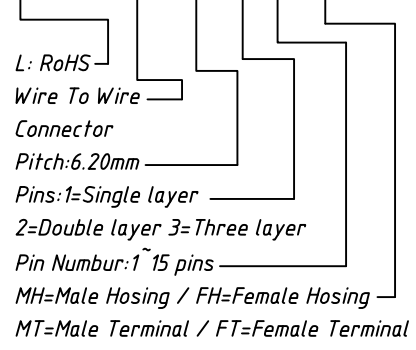
H

H

1  
RoHS Compliance



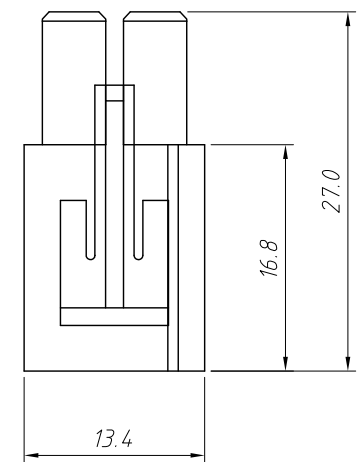
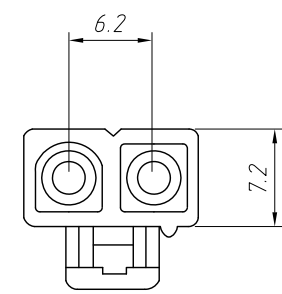
L-KLS1-XM1-6.20-1x04-MH  
Order Information:  
L-KLS1-XM1-6.20-1xXX-MH



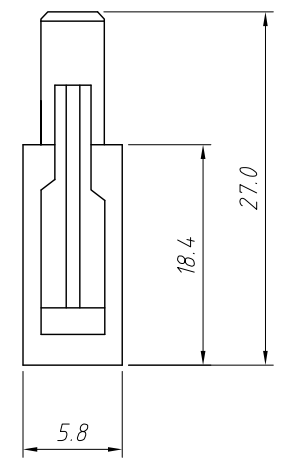
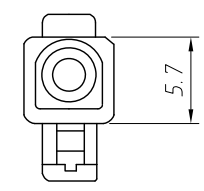
L-KLS1-XM1-6.20-1x03-MH

Specifications  
Material: Nylon66 UL 94V-2

Electrical Characteristics:  
Current rating:10A AC,DC  
Voltage rating:300V AC,DC  
Temperature range:-45°C~+85°C  
Insulationresistance:1000MΩ/Min.  
Withstanding voltage:5000V AC/minute  
Contact resistance:10mΩ/Max.



L-KLS1-XM1-6.20-1x02-MH

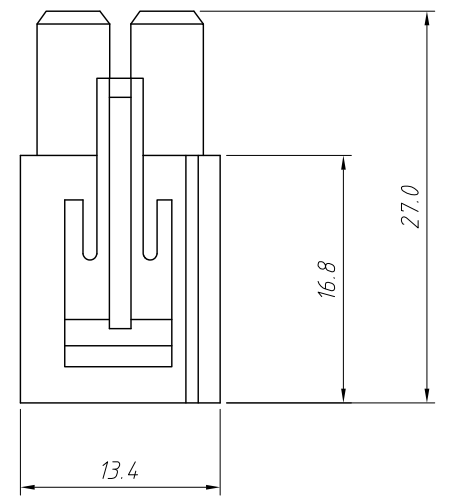
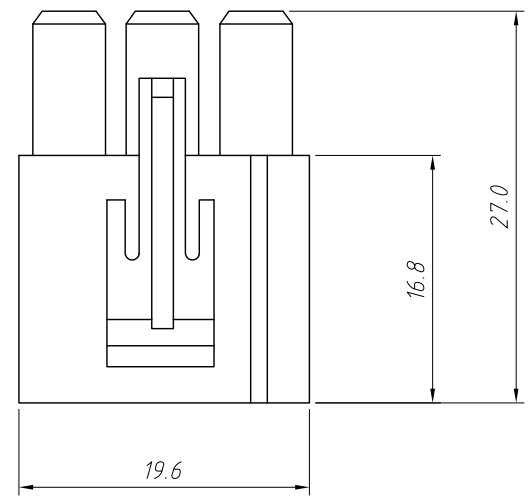
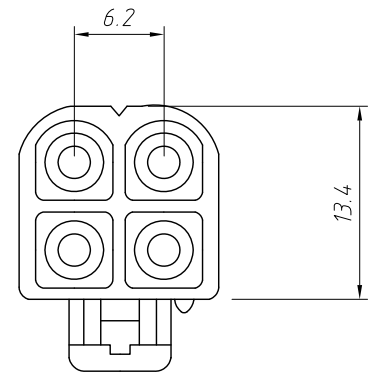
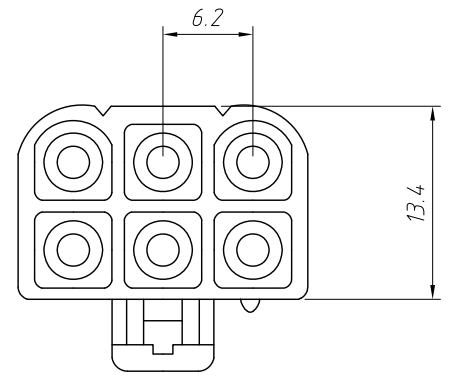


L-KLS1-XM1-6.20-1x01-MH

ANGLE TOLERANCE	PROJECTION	Description:	
±3°		6.20mm L Type Wire To Wire Connector	
GENERAL TOLERANCE	UNITS	mm	KLS P/N:
x.x ±0.30	SHEET SIZE	A4	L-KLS1-XM1-6.20-1xXX-MH
x.xx ±0.20	Draw:	Daniel	2020-11-11
x.xxx ±0.10	Check:	Daniel	2020-11-11



1  
RoHS Compliance



L-KLS1-XM1-6.20-2x03-MH

L-KLS1-XM1-6.20-2x02-MH

**Specifications**  
Material: Nylon66 UL 94V-2

**Electrical Characteristics:**  
Current rating: 10A AC,DC  
Voltage rating: 300V AC,DC  
Temperature range: -45°C ~ +85°C  
Insulation resistance: 1000MΩ/Min.  
Withstanding voltage: 5000V AC/minute  
Contact resistance: 10mΩ/Max.

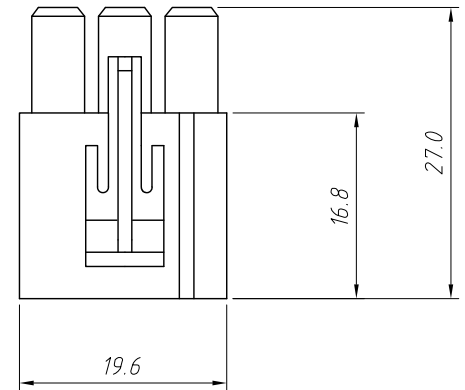
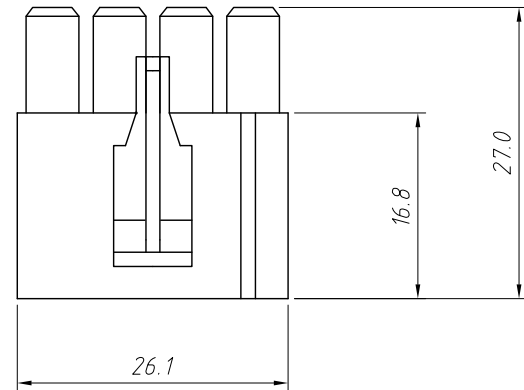
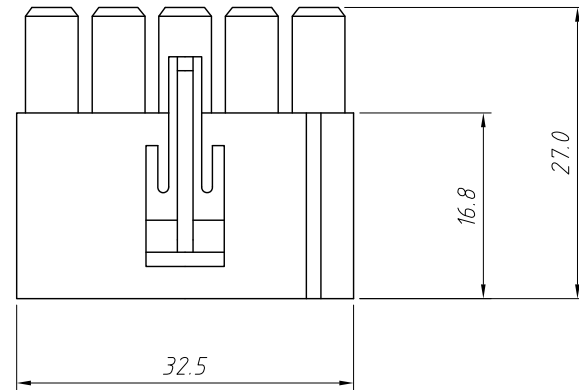
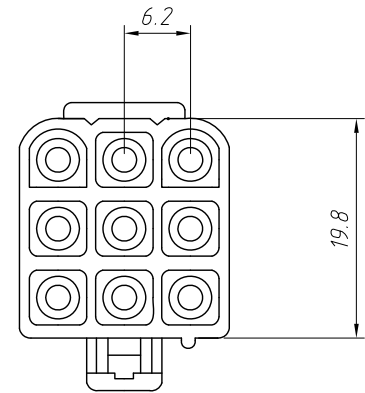
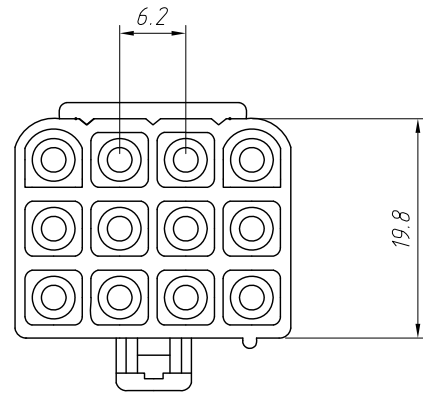
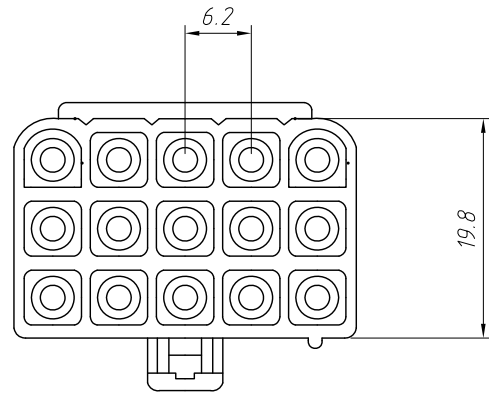
**Order Information:**

L-KLS1-XM1-6.20-2xXX-MH  
 L: RoHS  
 Wire To Wire  
 Connector  
 Pitch: 6.20mm  
 Pins: 1=Single layer  
 2=Double layer 3=Three layer  
 Pin Number: 1~15 pins  
 MH=Male Hosing / FH=Female Hosing  
 MT=Male Terminal / FT=Female Terminal

ANGLE TOLERANCE		PROJECTION		Description:	
±3°				6.20mm L Type Wire To Wire Connector	
GENERAL TOLERANCE		UNITS	mm	KLS P/N:	L-KLS1-XM1-6.20-2xXX-MH
x.x	±0.30	SHEET SIZE	A4		
x.xx	±0.20	Draw:	Daniel	2020-11-11	
x.xxx	±0.10	Check:	Daniel	2020-11-11	

**NingBo KLS ELECTRONIC CO.,L TD.**

1  
RoHS Compliance



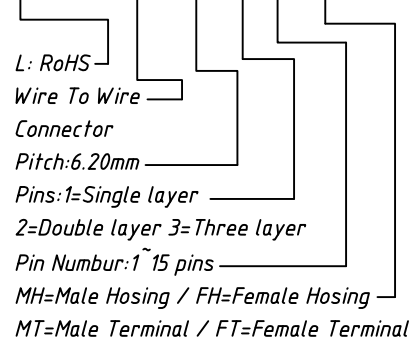
L-KLS1-XM1-6.20-3x05-MH

L-KLS1-XM1-6.20-3x04-MH

L-KLS1-XM1-6.20-3x03-MH

Order Information:

L-KLS1-XM1-6.20-3xXX-MH



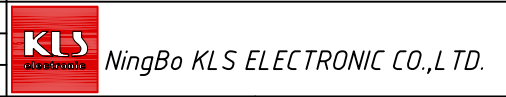
Specifications

Material: Nylon66 UL 94V-2

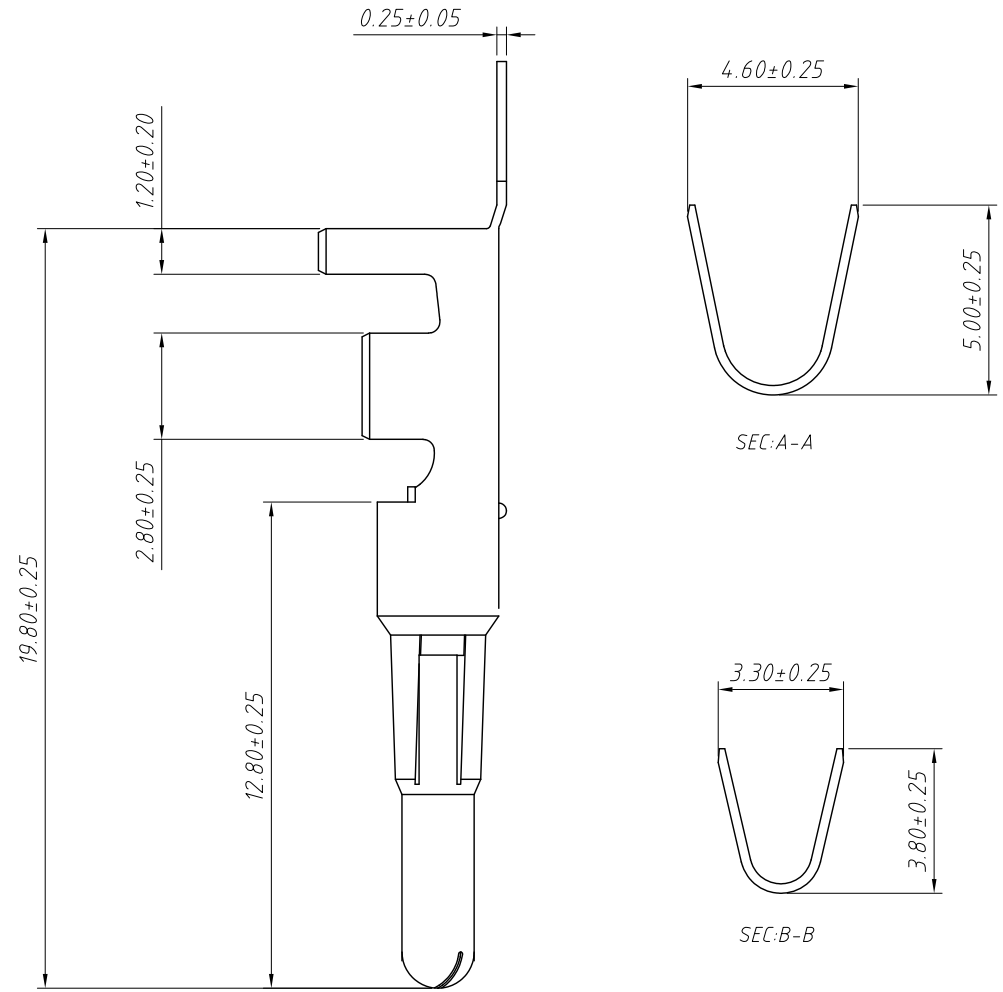
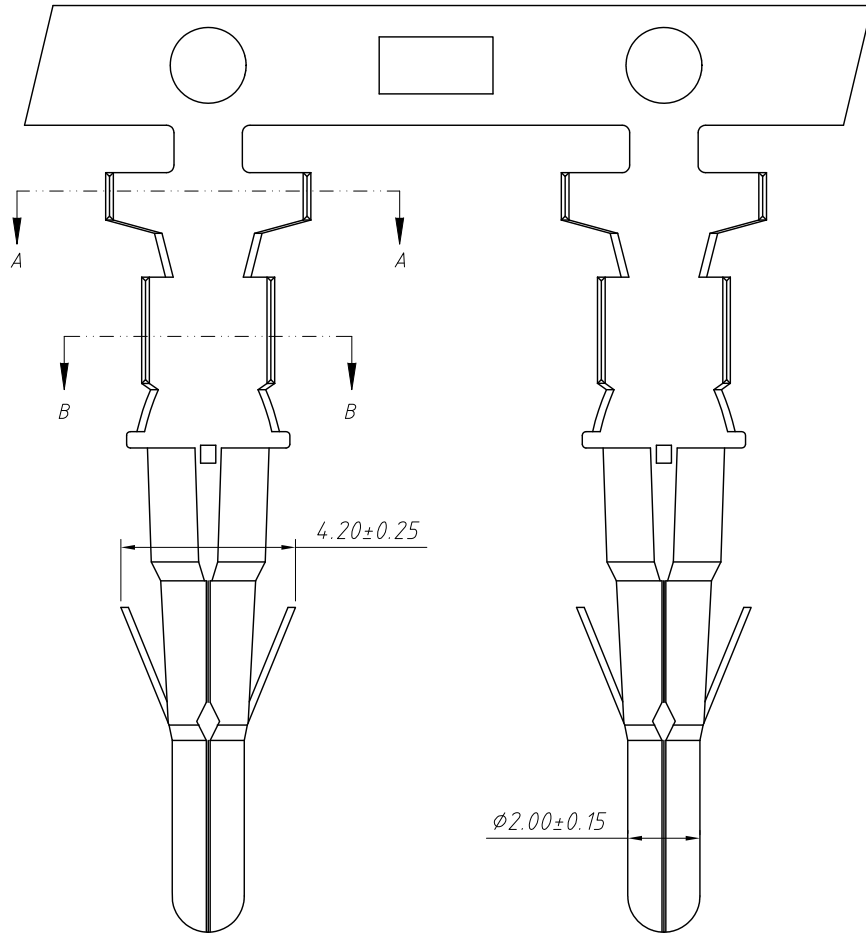
Electrical Characteristics:

- Current rating: 10A AC,DC
- Voltage rating: 300V AC,DC
- Temperature range: -45°C ~ +85°C
- Insulation resistance: 1000MΩ/Min.
- Withstanding voltage: 5000V AC/minute
- Contact resistance: 10mΩ/Max.

ANGLE TOLERANCE	PROJECTION	Description:	
±3°		6.20mm L Type Wire To Wire Connector	
GENERAL TOLERANCE	UNITS	mm	KLS P/N:
x.x ±0.30	SHEET SIZE	A4	L-KLS1-XM1-6.20-3xXX-MH
x.xx ±0.20	Draw:	Daniel	2020-11-11
x.xxx ±0.10	Check:	Daniel	2020-11-11



1 RoHS Compliance

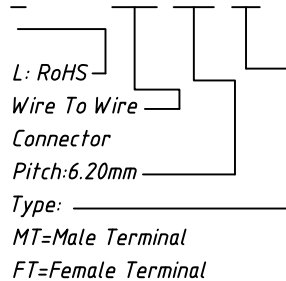


**Specifications**

Terminal : Phosphor Bronze  
 Finish : Plated Tin or Gold Flash  
 Lead over Nickel  
 Current rating:10A AC,DC  
 Voltage rating:300V AC,DC  
 Temperature range:-45℃ ~ +85℃  
 Insulation resistance:1000MΩ/Min.  
 Withstanding voltage:5000V AC/minute  
 Contact resistance:10mΩ/Max.

**Order Information:**

L-KLS1-XM1-6.20-MT



**Ordering information Specifications**

Part No	Wire Range	Insultion O.D	Material	Finish	Qty/reel	
6.20-MT	AWG#14-#24	4.10mm(max)	Brass	Tin over nickel	2500 PCS	
ANGLE TOLERANCE		PROJECTION	Description:			
±3°			6.20mm L Type Wire To Wire Connector			
GENERAL TOLERANCE		UNITS	mm	KLS P/N: L-KLS1-XM1-6.20-MT		
x.x	±0.30	SHEET SIZE	A4	NingBo KLS ELECTRONIC CO.,L TD.		
x.xx	±0.20	Draw:	Daniel			2020-11-11
x.xxx	±0.10	Check:	Daniel			2020-11-11