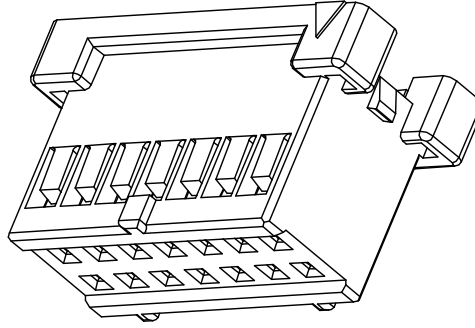
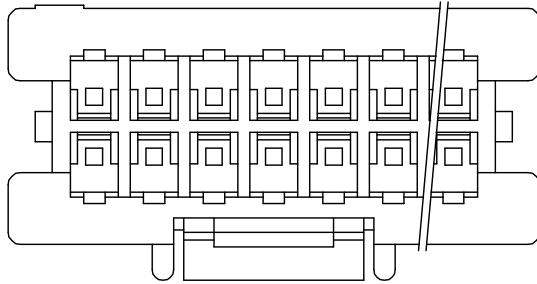
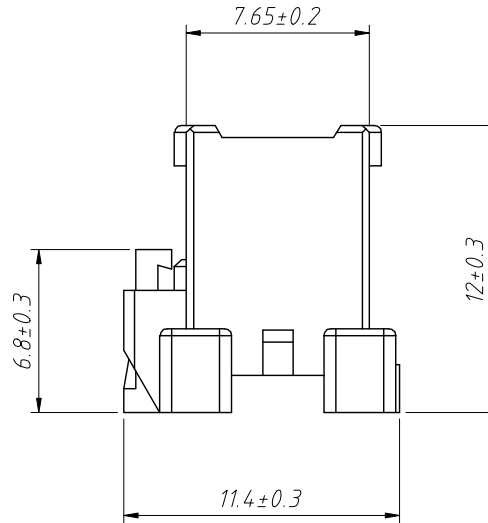
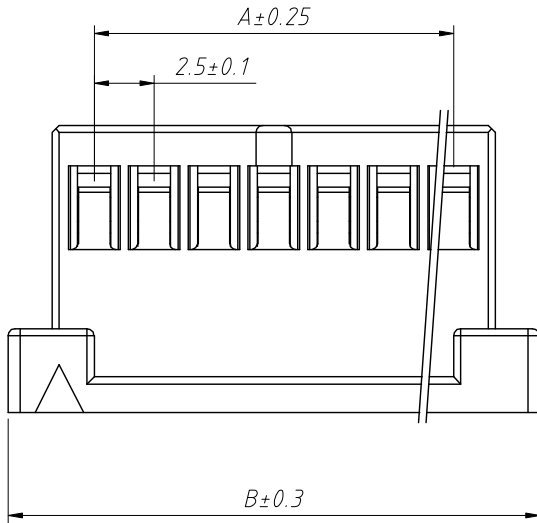


1 RoHS Compliance



Material:
Housing:PA66,UL94V-0,Natural Color

Electrical Characteristics:
Rated Current:3.0AMP
Voltage rating:250V AC,DC
Temperature range:-25°C ~ + 85°C
Insulator Resistance:1000MΩ Min
Withstanding Voltage:1000V AC/minute
Contact Resistance:20mΩ Max
After environmental testing:30mΩ Max



Pin	Dimensions(mm)	
	A	B
2×02	2.50	9.70
2×03	5.00	12.20
2×04	7.50	14.70
2×05	10.00	17.20
2×06	12.50	19.70
2×07	15.00	22.20
2×08	17.50	24.70
2×09	20.00	27.20
2×10	22.50	29.70
2×11	25.00	32.20
2×12	27.50	34.70
2×13	30.00	37.20
2×14	32.50	39.70
2×15	35.00	42.20
2×16	37.50	44.70
2×17	40.00	47.20
2×18	42.50	49.70
2×19	45.00	52.20
2×20	47.50	54.70

Order Information:

L-KLS1-2.50G-2×XX-H

L: RoHS

Pitch:2.50mm

2-Double layer

XX-No.of 04 ~ 40 pins

Type:

H-Housing

T-Terminal

S1/S2-Straight pin

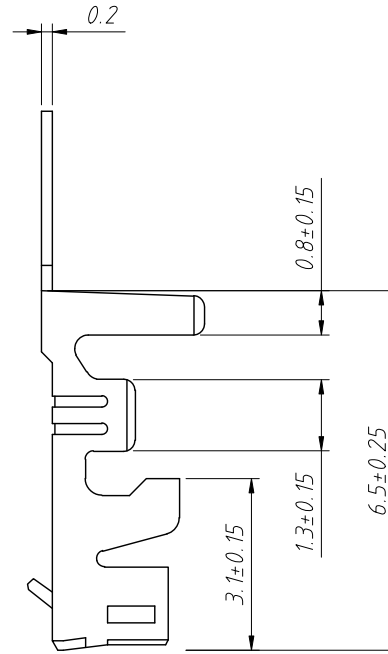
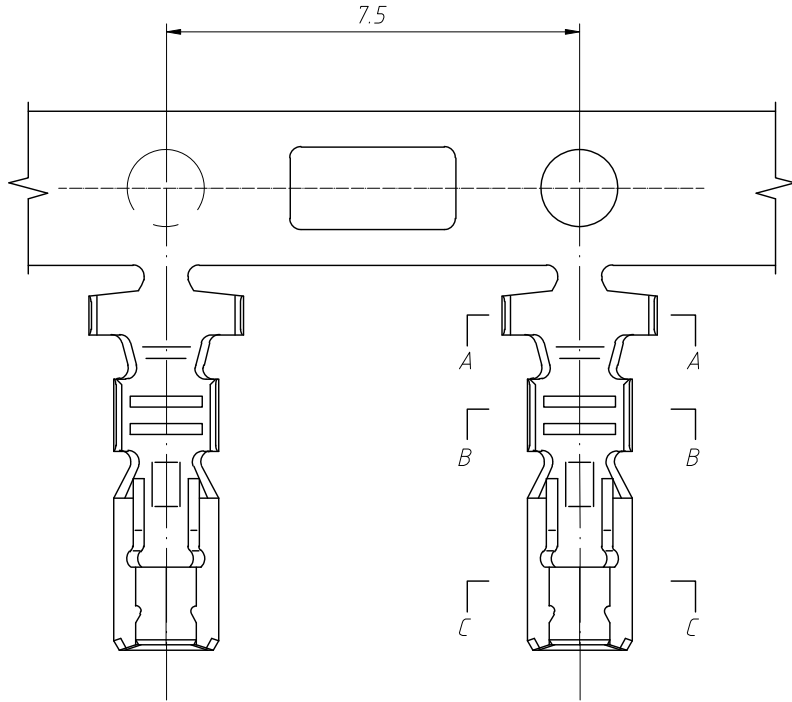
R-Right angle pin

ANGLE TOLERANCE	PROJECTION	Description:	2.50mm Pitch XAD Double Type Wire To Board Connector
±3°			
GENERAL TOLERANCE	UNITS	mm	KLS P/N: L-KLS1-2.50G-2×XX-H
x.x ±0.30	SHEET SIZE	A4	
x.xx ±0.20	Draw:	Daniel	2021-01-11
x.xxx ±0.10	Check:	Daniel	2021-01-11



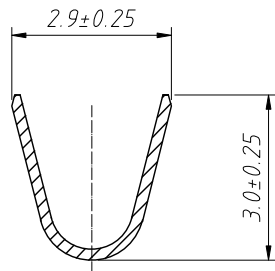
NingBo KLS ELECTRONIC CO.,L TD.

1 RoHS Compliance

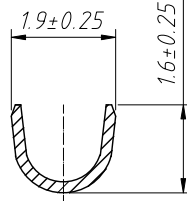


Material:
Terminal: Phosphor Bronze
Plating: Tin plated
Applicable wires: AWG #22 ~ # 28

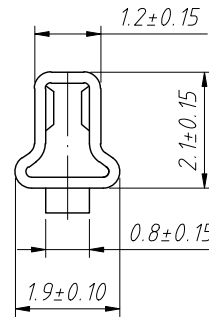
Electrical Characteristics:
Rated Current: 3.0AMP
Voltage rating: 250V AC, DC
Temperature range: -25°C ~ + 85°C
Insulator Resistance: 1000MΩ Min
Withstanding Voltage: 1000V AC/minute
Contact Resistance: 20mΩ Max
After environmental testing: 30mΩ Max



Section:A-A



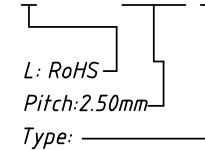
Section:B-B



Section:C-C

Order Information:

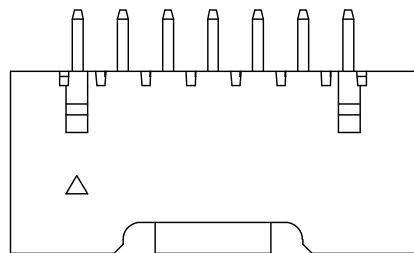
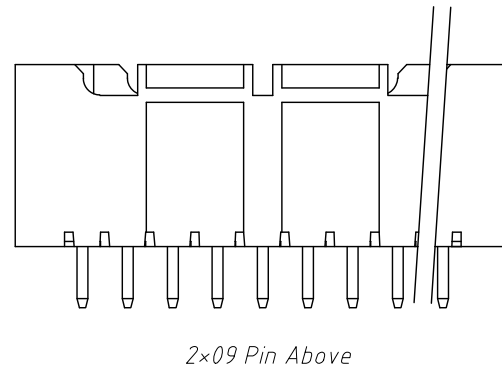
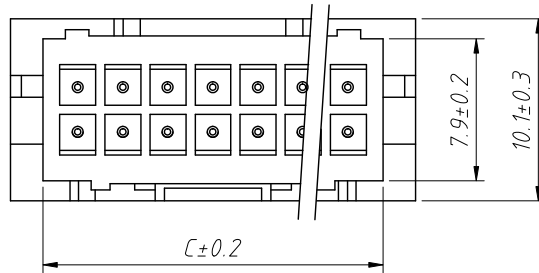
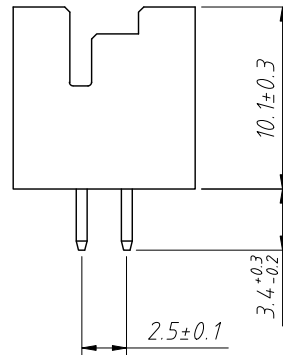
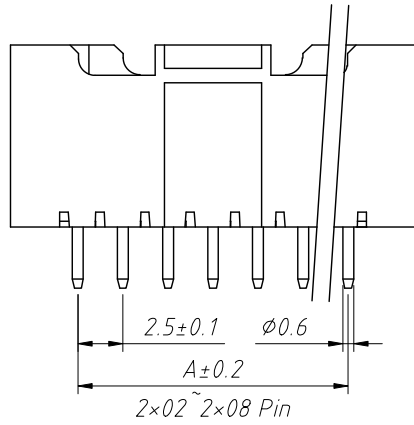
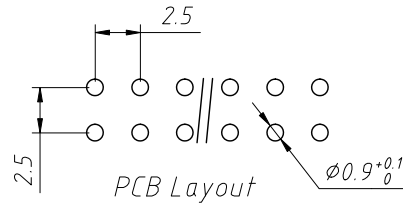
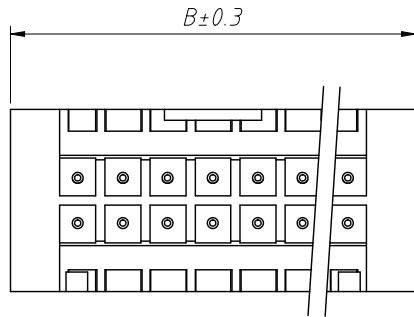
L-KLS1-2.50G-T



L: RoHS
Pitch: 2.50mm
Type: H-Housing T-Terminal
S1/S2-Straight pin
R-Right angle pin

ANGLE TOLERANCE	PROJECTION	Description:	2.50mm Pitch XAD Double Type
±3°		Wire To Board Connector	
GENERAL TOLERANCE	UNITS	mm	KLS P/N: L-KLS1-2.50G-T
x.x ±0.30	SHEET SIZE	A4	NingBo KLS ELECTRONIC CO.,L TD.
x.xx ±0.20	Draw:	Daniel 2021-01-11	
x.xxx ±0.10	Check:	Daniel 2021-01-11	

1 RoHS Compliance



Material:
Housing: PA66, UL94V-0, Natural Color
Contact : Brass
Finish : Tin Plating

Electrical Characteristics:
Rated Current: 3.0AMP
Voltage rating: 250V AC, DC
Temperature range: -25°C ~ + 85°C
Insulator Resistance: 1000MΩ Min
Withstanding Voltage: 1000V AC/minute
Contact Resistance: 20mΩ Max
After environmental testing: 30mΩ Max

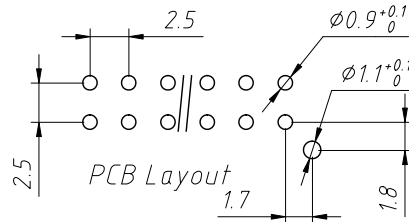
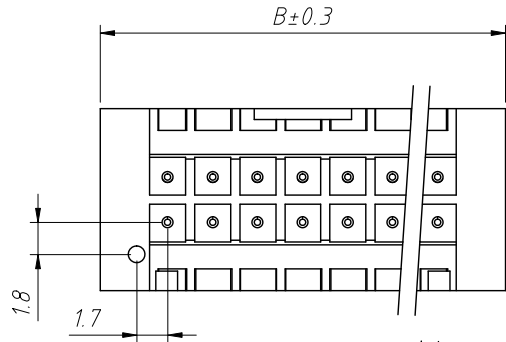
Pin	Dimensions(mm)		
	A	B	C
2×02	2.50	10.00	6.40
2×03	5.00	12.50	8.90
2×04	7.50	15.00	11.40
2×05	10.00	17.50	13.90
2×06	12.50	20.00	16.40
2×07	15.00	22.50	18.90
2×08	17.50	25.00	21.40
2×09	20.00	27.50	23.90
2×10	22.50	30.00	26.40
2×11	25.00	32.50	28.90
2×12	27.50	35.00	31.40
2×13	30.00	37.50	33.90
2×14	32.50	40.00	36.40
2×15	35.00	42.50	38.90
2×16	37.50	45.00	41.40
2×17	40.00	47.50	43.90
2×18	42.50	50.00	46.40
2×19	45.00	52.50	48.90
2×20	47.50	55.00	51.40

Order Information:
L-KLS1-2.50G-2×XX-S1

L: RoHS
Pitch: 2.50mm
2-Double layer
XX-No. of 04 ~ 40 pins
Type:
H-Housing T-Terminal
S1/S2-Straight pin
R-Right angle pin

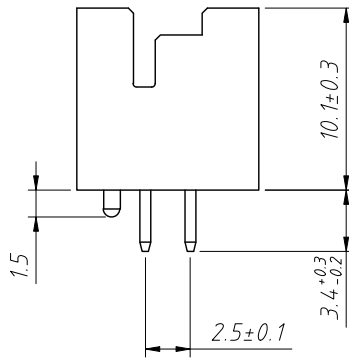
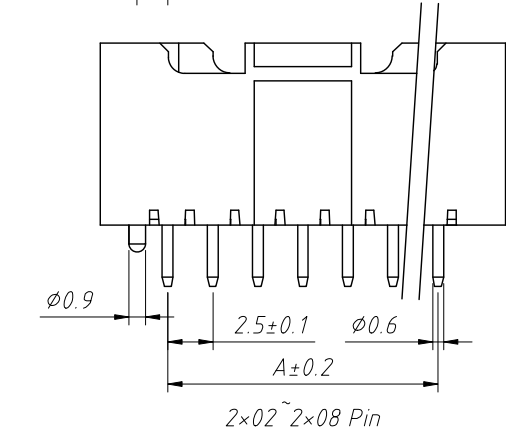
ANGLE TOLERANCE	PROJECTION	Description:	2.50mm Pitch XAD Double Type Wire To Board Connector
±3°			
GENERAL TOLERANCE	UNITS	mm	KLS P/N: L-KLS1-2.50G-2×XX-S1
x.x ±0.30	SHEET SIZE	A4	NingBo KLS ELECTRONIC CO.,L.TD.
x.xx ±0.20	Draw:	Daniel 2021-01-11	
x.xxx ±0.10	Check:	Daniel 2021-01-11	

RoHS Compliance



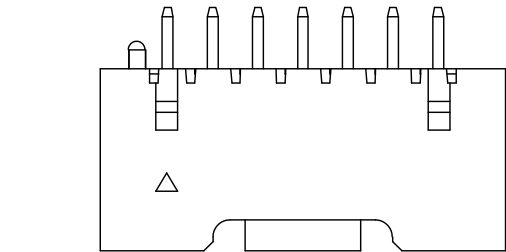
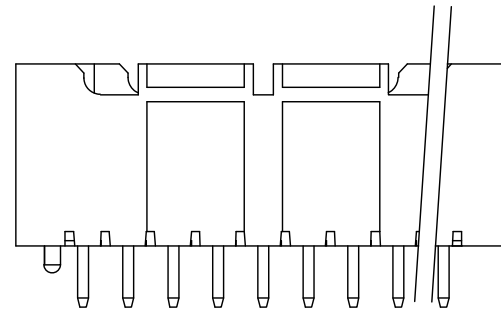
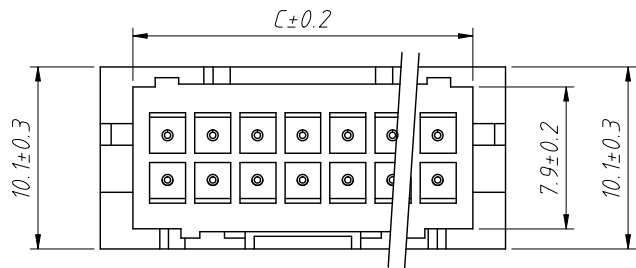
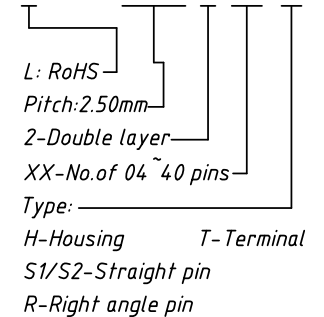
Material:
 Housing: PA66, UL94V-0, Natural Color
 Contact : Brass
 Finish : Tin Plating

Electrical Characteristics:
 Rated Current: 3.0AMP
 Voltage rating: 250V AC, DC
 Temperature range: -25°C ~ +85°C
 Insulator Resistance: 1000MΩ Min
 Withstanding Voltage: 1000V AC/minute
 Contact Resistance: 20mΩ Max
 After environmental testing: 30mΩ Max



Pin	Dimensions(mm)		
	A	B	C
2×02	2.50	10.00	6.40
2×03	5.00	12.50	8.90
2×04	7.50	15.00	11.40
2×05	10.00	17.50	13.90
2×06	12.50	20.00	16.40
2×07	15.00	22.50	18.90
2×08	17.50	25.00	21.40
2×09	20.00	27.50	23.90
2×10	22.50	30.00	26.40
2×11	25.00	32.50	28.90
2×12	27.50	35.00	31.40
2×13	30.00	37.50	33.90
2×14	32.50	40.00	36.40
2×15	35.00	42.50	38.90
2×16	37.50	45.00	41.40
2×17	40.00	47.50	43.90
2×18	42.50	50.00	46.40
2×19	45.00	52.50	48.90
2×20	47.50	55.00	51.40

Order Information:
 L-KLS1-2.50G-2×XX-S2

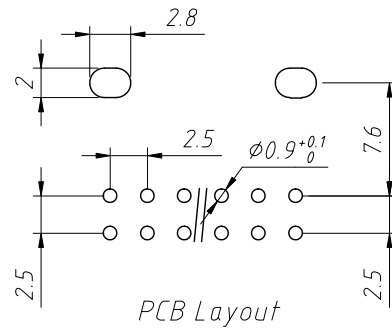
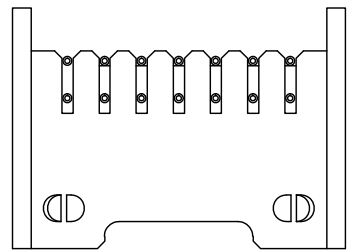
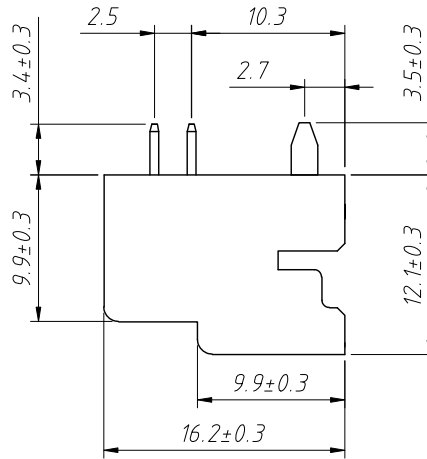
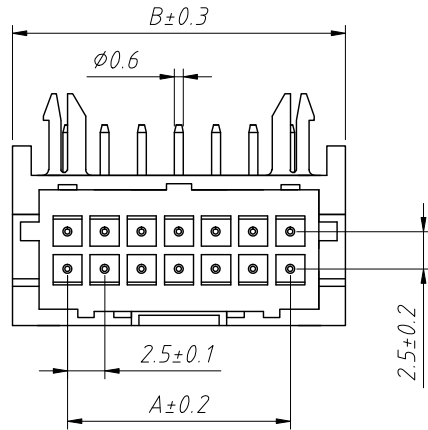
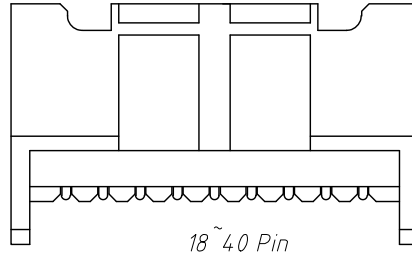
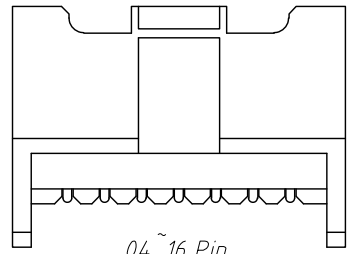


ANGLE TOLERANCE	PROJECTION	Description:	2.50mm Pitch XAD Double Type Wire To Board Connector
±3°			
GENERAL TOLERANCE	UNITS	mm	KLS P/N: L-KLS1-2.50G-2×XX-S2
x.x ±0.30	SHEET SIZE	A4	
x.xx ±0.20	Draw:	Daniel	2021-01-11
x.xxx ±0.10	Check:	Daniel	2021-01-11



NingBo KLS ELECTRONIC CO.,L.TD.

RoHS Compliance



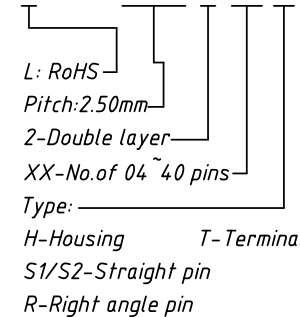
Material:
 Housing: PA66, UL94V-0, Natural Color
 Contact : Brass
 Finish : Tin Plating

Electrical Characteristics:
 Rated Current: 3.0AMP
 Voltage rating: 250V AC, DC
 Temperature range: -25°C ~ + 85°C
 Insulator Resistance: 1000MΩ Min
 Withstanding Voltage: 1000V AC/minute
 Contact Resistance: 20mΩ Max
 After environmental testing: 30mΩ Max

Pin	Dimensions(mm)		
	A	B	C
2×02	2.50	10.00	6.40
2×03	5.00	12.50	8.90
2×04	7.50	15.00	11.40
2×05	10.00	17.50	13.90
2×06	12.50	20.00	16.40
2×07	15.00	22.50	18.90
2×08	17.50	25.00	21.40
2×09	20.00	27.50	23.90
2×10	22.50	30.00	26.40
2×11	25.00	32.50	28.90
2×12	27.50	35.00	31.40
2×13	30.00	37.50	33.90
2×14	32.50	40.00	36.40
2×15	35.00	42.50	38.90
2×16	37.50	45.00	41.40
2×17	40.00	47.50	43.90
2×18	42.50	50.00	46.40
2×19	45.00	52.50	48.90
2×20	47.50	55.00	51.40

Order Information:

L-KLS1-2.50G-2×XX-R



ANGLE TOLERANCE	PROJECTION	Description:	2.50mm Pitch XAD Double Type Wire To Board Connector
±3°			
GENERAL TOLERANCE	UNITS	mm	KLS P/N: L-KLS1-2.50G-2×XX-R
x.x ±0.30	SHEET SIZE	A4	NingBo KLS ELECTRONIC CO.,L.TD.
x.xx ±0.20	Draw:	Daniel	
x.xxx ±0.10	Check:	Daniel	