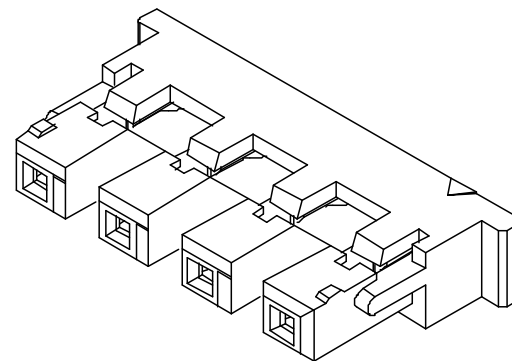
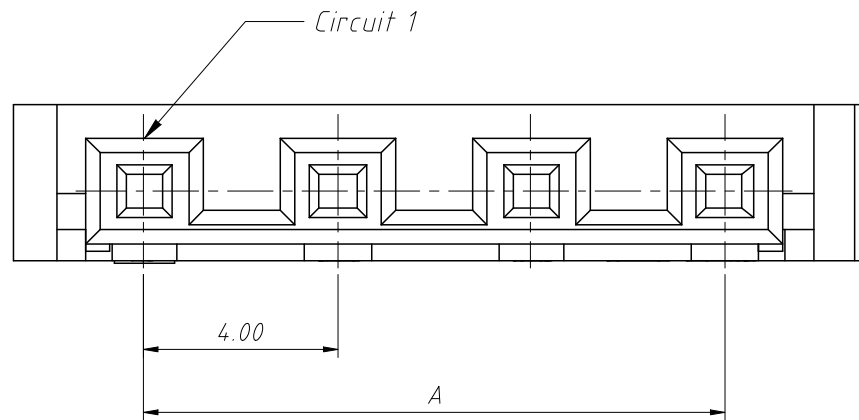


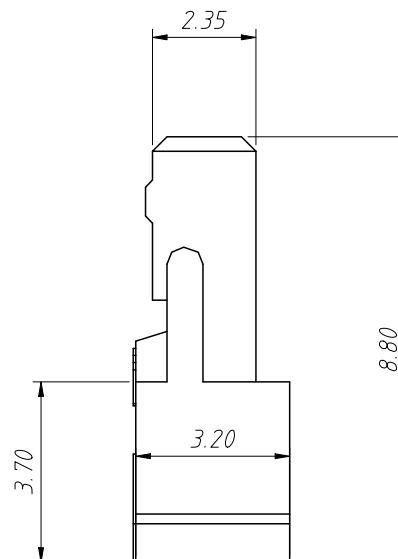
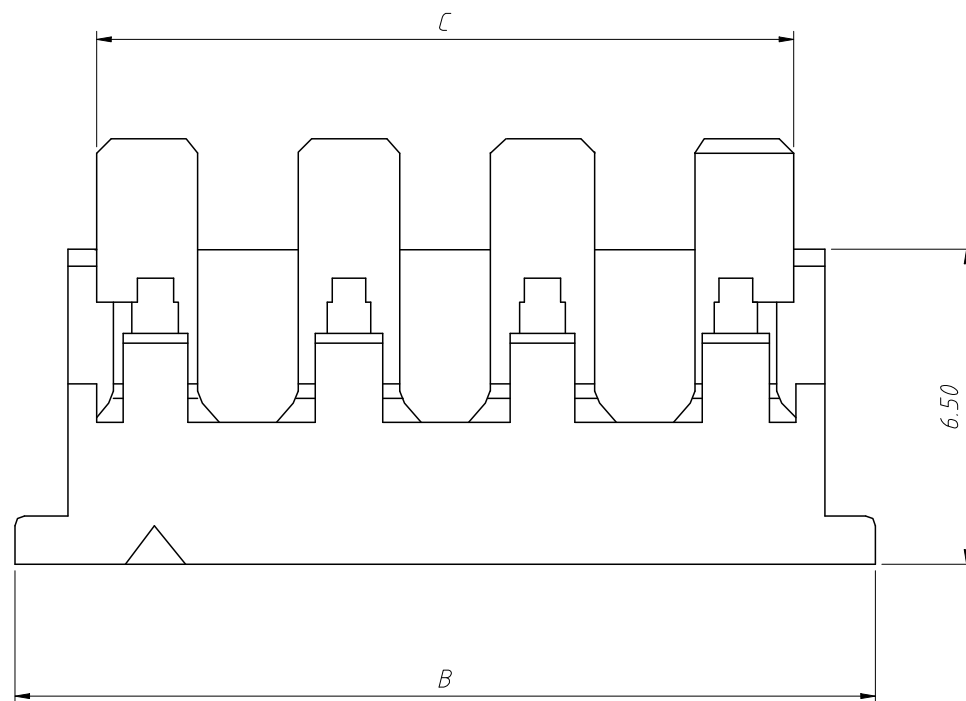
RoHS Compliance



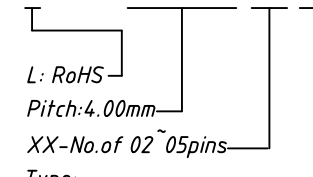
Material:
Housing:PA66,UL 94V-0,White

Electrical Characteristics:
Rated Current:1.0AMP
Voltage rating:600V AC,DC
Temperature range:-25°C ~ + 85°C
Insulator Resistance:1000M Ω Min
Withstanding Voltage:1800V AC/minute
Contact Resistance:10m Ω Max

Pin	Dimensions(mm)		
	A	B	C
02	4.00	9.80	6.40
03	8.00	13.80	10.40
04	12.00	17.80	14.40
05	16.00	21.80	18.40



Order Information:
L-KLS1-XL1-4.00-XX-MH



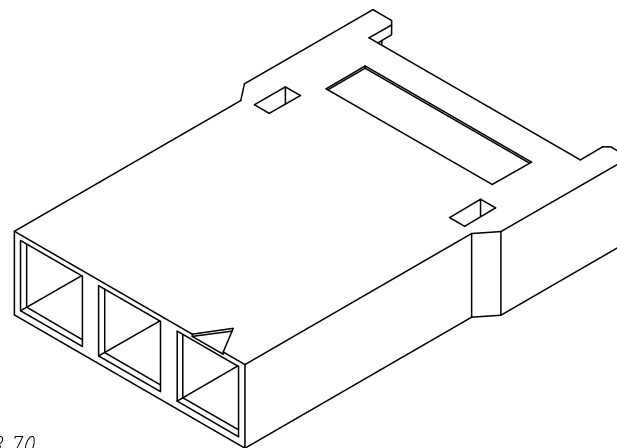
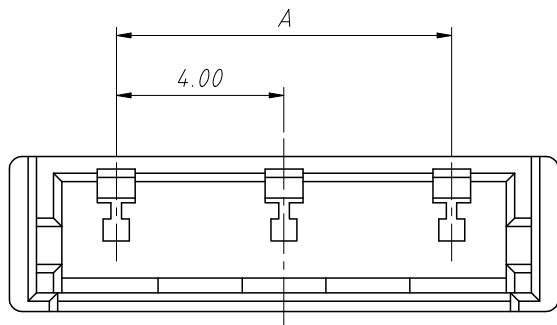
L: RoHS
Pitch:4.00mm
XX-No. of 02 ~ 05pins
Type:
FH-Female Hosing MH-Male Hosing
FT-Female Terminal MT-Male Terminal
RM-Horizontal SMT Pin

ANGLE TOLERANCE	PROJECTION	Description:		
$\pm 3^\circ$		4.00mm BH Type Wire To Board Connector		
GENERAL TOLERANCE	UNITS	mm	KLS P/N:	L-KLS1-XL1-4.00-XX-MH
x.x	± 0.30	SHEET SIZE	A4	
x.xx	± 0.20	Draw:	Daniel	2021-01-11
x.xxx	± 0.10	Check:	Daniel	2021-01-11



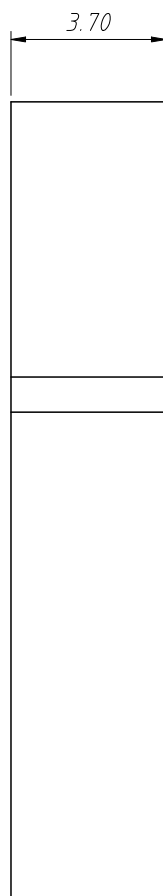
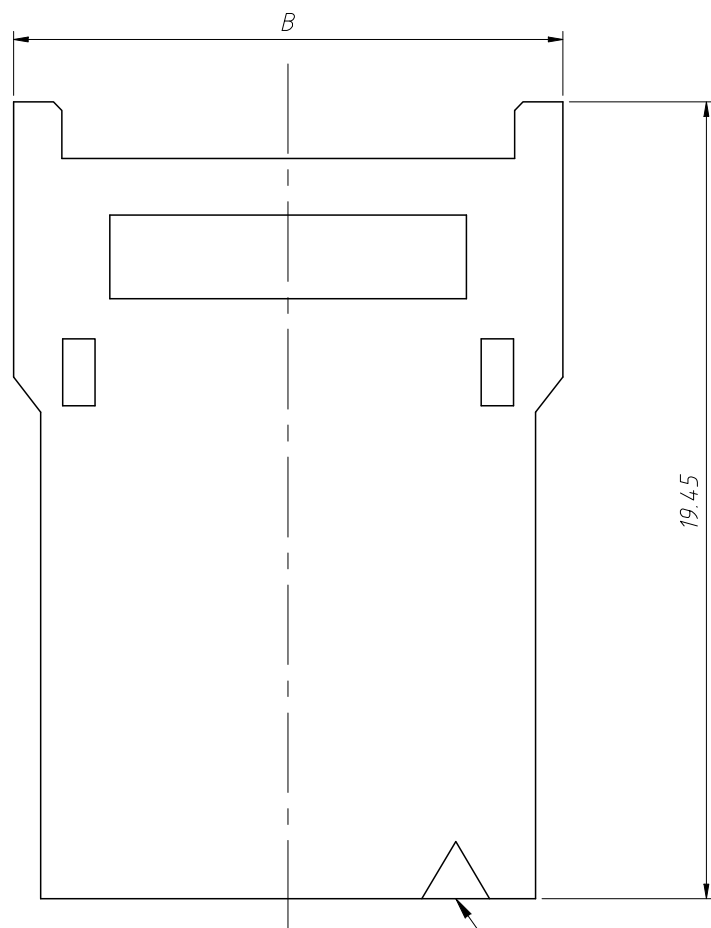
NingBo KLS ELECTRONIC CO.,LTD.

RoHS Compliance



Material:
Housing:PA66,UL 94V-0,White

Electrical Characteristics:
Rated Current:1.0AMP
Voltage rating:600V AC,DC
Temperature range:-25°C ~ + 85°C
Insulator Resistance:1000M Ω Min
Withstanding Voltage:1800V AC/minute
Contact Resistance:10m Ω Max



Pin	Dimensions(mm)	
	A	B
02	4.00	9.40
03	8.00	13.40
04	12.00	17.40
05	16.00	21.40

Order Information:
L-KLS1-XL1-4.00-XX-FH

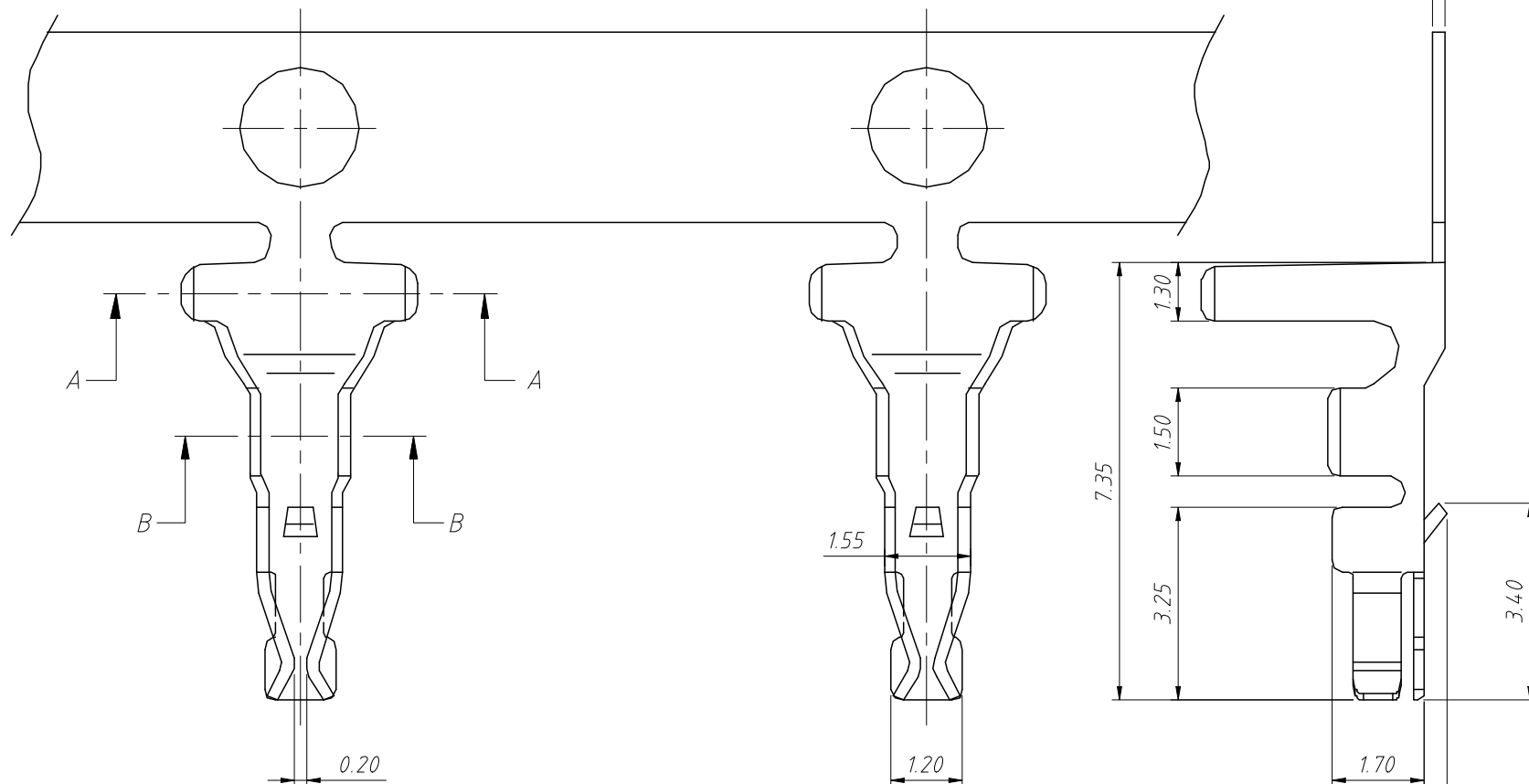
L: RoHS
Pitch:4.00mm
XX-No.of 02~05pins
Type:

FH-Female Hosing MH-Male Hosing
FT-Female Terminal MT-Male Terminal
RM-Horizontal SMT Pin

ANGLE TOLERANCE	PROJECTION	Description:		
$\pm 3^\circ$		4.00mm BH Type Wire To Board Connector		
GENERAL TOLERANCE	UNITS	mm	KLS P/N:	L-KLS1-XL1-4.00-XX-FH
x.x ± 0.30	SHEET SIZE	A4		
x.xx ± 0.20	Draw:	Daniel	2021-01-11	NingBo KLS ELECTRONIC CO.,LTD.
x.xxx ± 0.10	Check:	Daniel	2021-01-11	

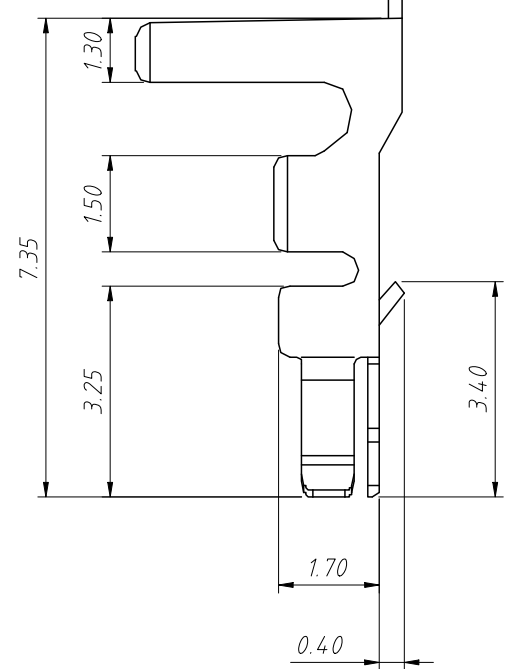
Circuit 1

RoHS Compliance



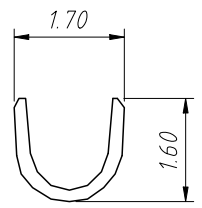
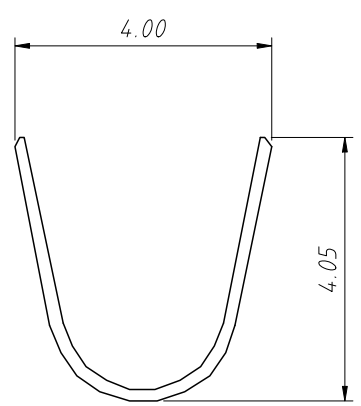
Material:
 Terminal: Phosphor Bronze
 Plating: Tin plated
 Applicable wires: AWG #22 ~ #28
 Insulation O.D.: 2.4mm
 Qty/reel: 3500 pcs

Electrical Characteristics:
 Rated Current: 1.0AMP
 Voltage rating: 600V AC, DC
 Temperature range: -25°C ~ +85°C
 Insulator Resistance: 1000M Ω Min
 Withstanding Voltage: 1800V AC/minute
 Contact Resistance: 10m Ω Max



Order Information:
 L-KLS1-XL1-4.00-FT

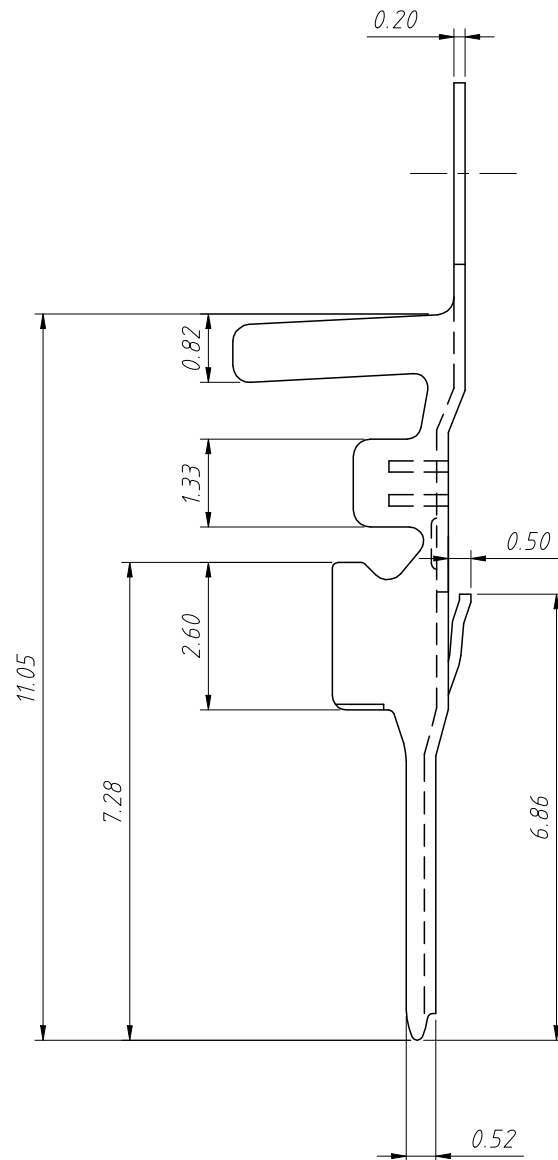
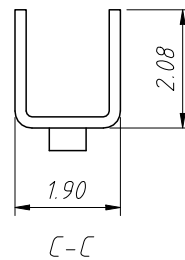
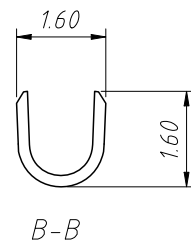
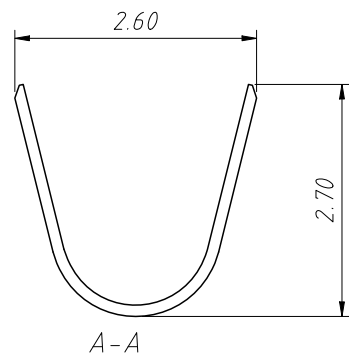
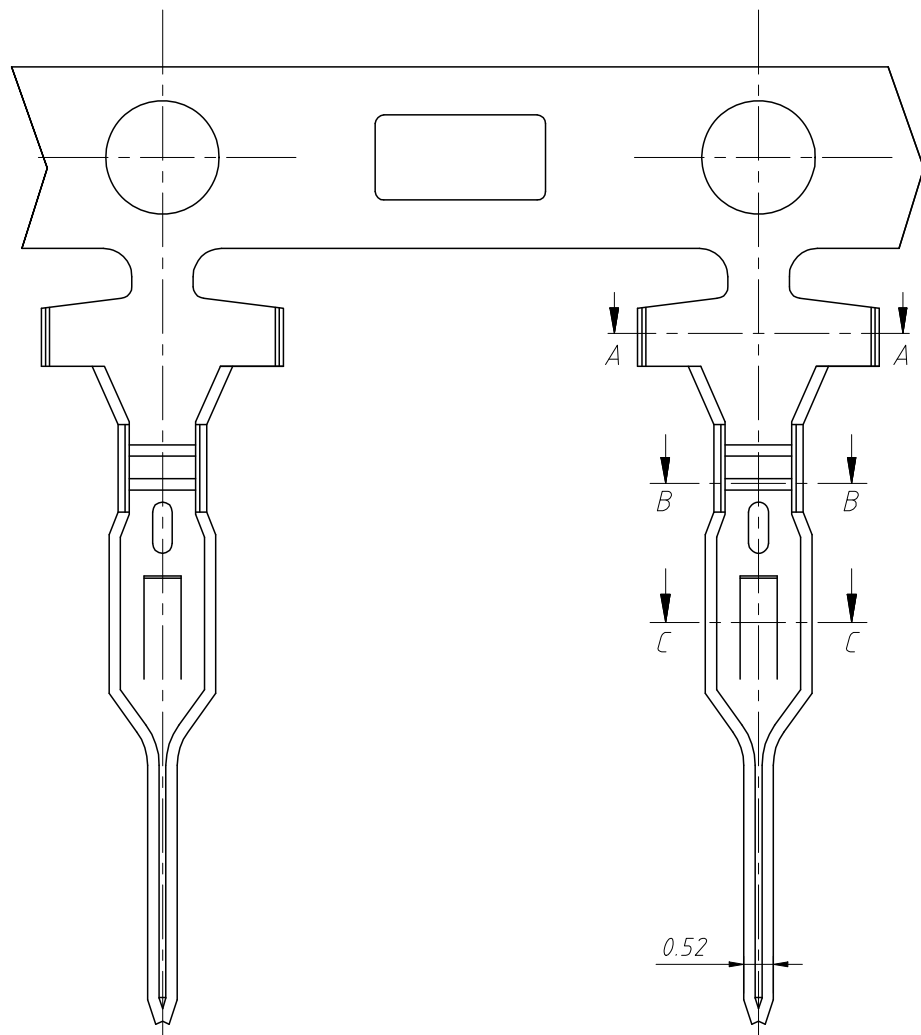
L: RoHS
 Pitch: 4.00mm
 Type: FH-Female Hosing MH-Male Hosing
 FT-Female Terminal MT-Male Terminal
 RM-Horizontal SMT Pin



ANGLE TOLERANCE	PROJECTION	Description:
$\pm 3^\circ$		4.00mm BH Type Wire To Board Connector
GENERAL TOLERANCE	UNITS	mm
x.x	± 0.30	
x.xx	± 0.20	
x.xxx	± 0.10	
SHEET SIZE	A4	
Draw:	Daniel	2021-01-11
Check:	Daniel	2021-01-11

KLS NingBo KLS ELECTRONIC CO.,LTD.

RoHS Compliance



Material:
 Terminal: Phosphor Bronze
 Plating: Tin plated
 Applicable wires: AWG #22~#28
 Insulation O.D: 2.4mm
 Qty/reel: 5000 pcs

Electrical Characteristics:
 Rated Current: 1.0AMP
 Voltage rating: 600V AC, DC
 Temperature range: -25°C ~ +85°C
 Insulator Resistance: 1000M Ω Min
 Withstanding Voltage: 1800V AC/minute
 Contact Resistance: 10m Ω Max

Order Information:
 L-KLS1-XL1-4.00-MT

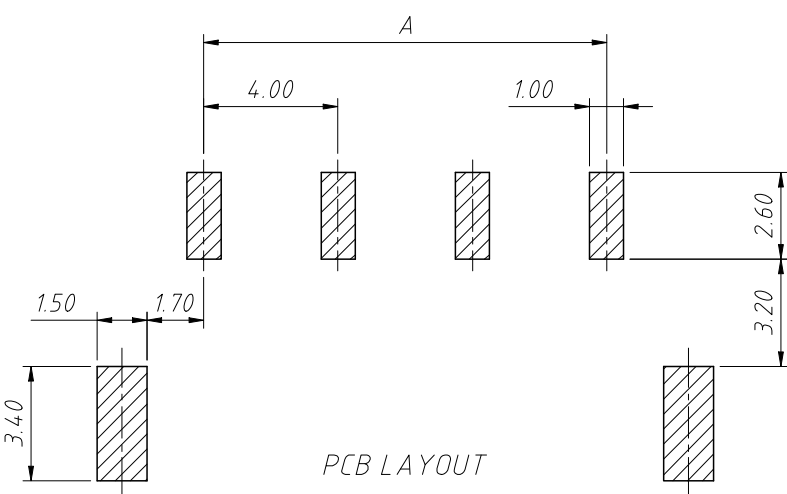
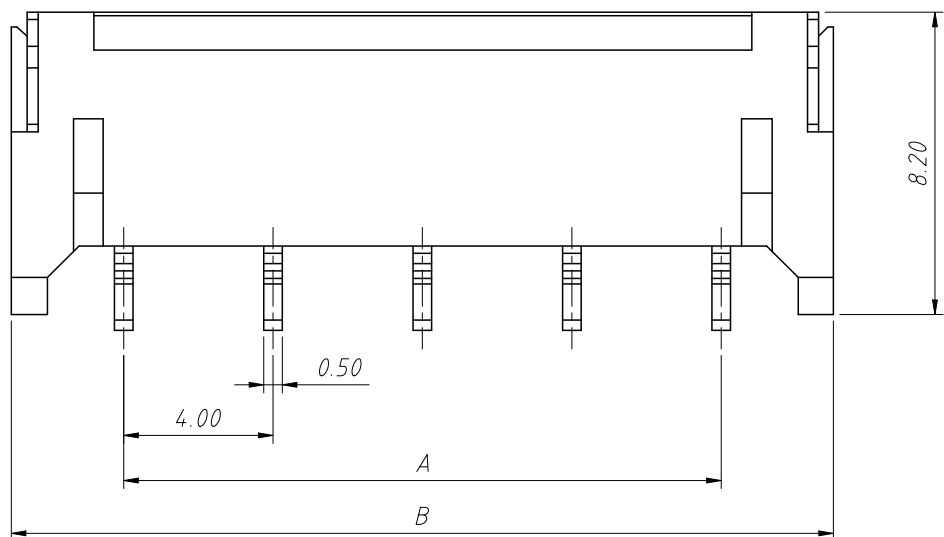
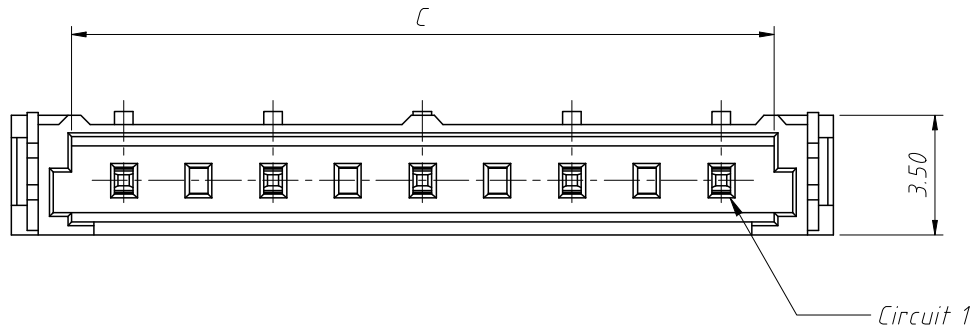
L: RoHS
 Pitch: 4.00mm
 Type:
 FH-Female Hosing MH-Male Hosing
 FT-Female Terminal MT-Male Terminal
 RM-Horizontal SMT Pin

ANGLE TOLERANCE	PROJECTION	Description:
$\pm 3^\circ$		4.00mm BH Type Wire To Board Connector
GENERAL TOLERANCE	UNITS	mm
x.x	± 0.30	
x.xx	± 0.20	
x.xxx	± 0.10	
SHEET SIZE	A4	
Draw:	Daniel	2021-01-11
Check:	Daniel	2021-01-11



NingBo KLS ELECTRONIC CO.,LTD.

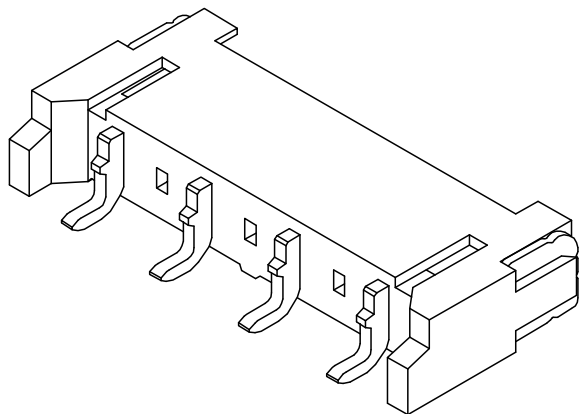
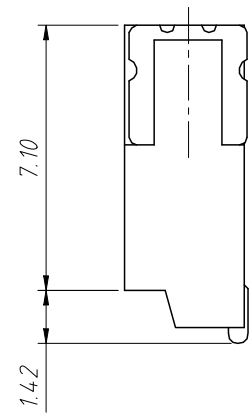
RoHS Compliance



Material:
 Housing:PA6T,UL94 V-0,Beige
 Pin:Brass,Tin plated
 Solder Tabs:Brass,Tin plated

Electrical Characteristics:
 Rated Current:1.0AMP
 Voltage rating:600V AC,DC
 Temperature range:-25°C ~ + 85°C
 Insulator Resistance:1000MΩ Min
 Withstanding Voltage:1800V AC/minute
 Contact Resistance:10mΩ Max

Pin	Dimensions(mm)		
	A	B	C
02	4.00	10.00	6.80
03	8.00	14.00	10.80
04	12.00	18.00	14.80
05	16.00	22.00	18.80



Order Information:
 L-KLS1-XL1-4.00-XX-RM

L: RoHS
 Pitch:4.00mm
 XX-No.of 02~05pins
 Type:

FH-Female Hosing MH-Male Hosing
 FT-Female Terminal MT-Male Terminal
 RM-Horizontal SMT Pin

ANGLE TOLERANCE	PROJECTION	Description:
±3°		4.00mm BH Type Wire To Board Connector
GENERAL TOLERANCE	UNITS	mm
x.x ±0.30	SHEET SIZE	A4
x.xx ±0.20	Draw:	Daniel 2021-01-11
x.xxx ±0.10	Check:	Daniel 2021-01-11

NingBo KLS ELECTRONIC CO.,LTD.