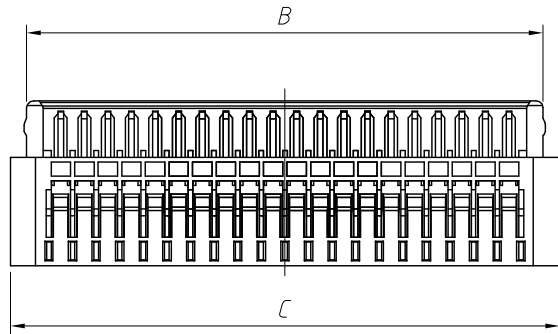
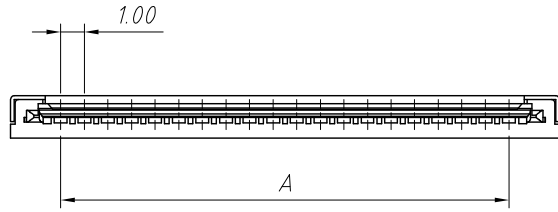
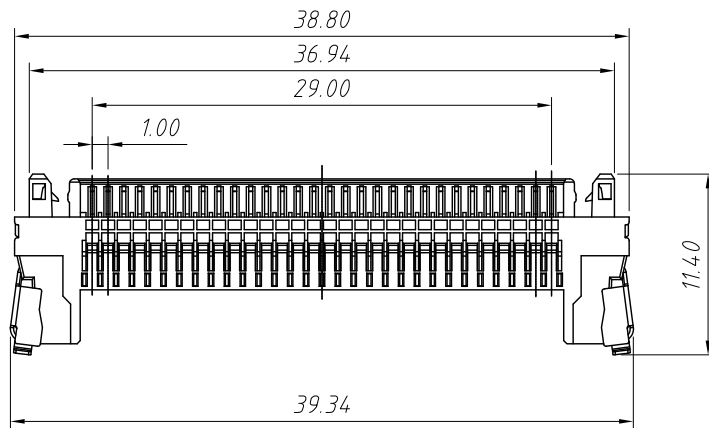
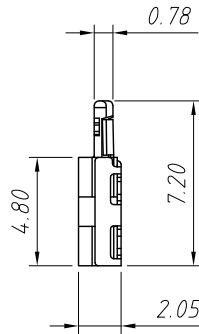


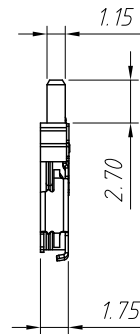
1
RoHS Compliance



H1-Without lock Hosing



H2-With lock Hosing

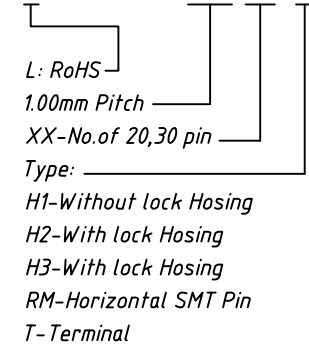


Material:
Housing: PA46 ,UL94V-0,
Colour:Natural

Electrical Characteristics:
Voltage rating:200V AC,DC
Current rating:1.0A AC,DC
Withstanding voltage:500V AC/minute
Temperature range:-25°C ~ + 85°C
Insulation resistance:100MΩ/Min.
Contact resistance:40mΩ/Max.

Order Information:

L-KLS1-XF9-1.00-XX-H1



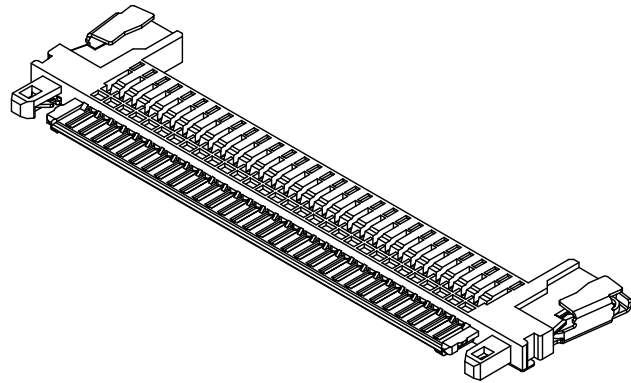
Poles	Dimensions(mm)		
	A	B	C
20	19.00	21.88	23.28
30	29.00	31.88	33.28

ANGLE TOLERANCE	PROJECTION	Description:	1.00mm Pitch FI-X Wire to board connector
±3°			
GENERAL TOLERANCE	UNITS	mm	KLS P/N:
x.x ±0.30	SHEET SIZE	A4	L-KLS1-XF9-1.00-XX-H1
x.xx ±0.20	Draw:	Daniel	2020-11-11
x.xxx ±0.10	Check:	Daniel	2020-11-11



NingBo KLS ELECTRONIC CO.,LTD.

1 RoHS Compliance

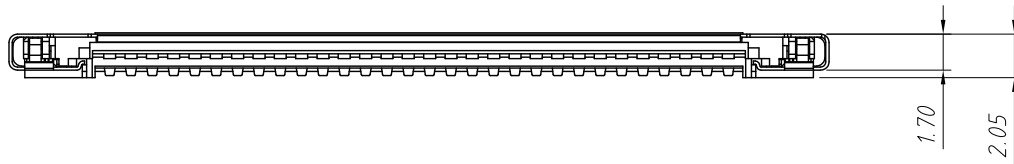


Material:

- 1. Insulator: PA46 ,UL94V-0,
Colour:Natural
- 2. Ground plate:Stainless

Electrical Characteristics:

- Voltage rating:200V AC,DC
- Current rating:1.0A AC,DC
- Withstanding voltage:500V AC/minute
- Temperature range:-25°C ~ + 85°C
- Insulation resistance:100MΩ/Min.
- Contact resistance:40mΩ/Max.

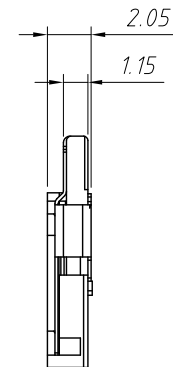


1.70
2.05

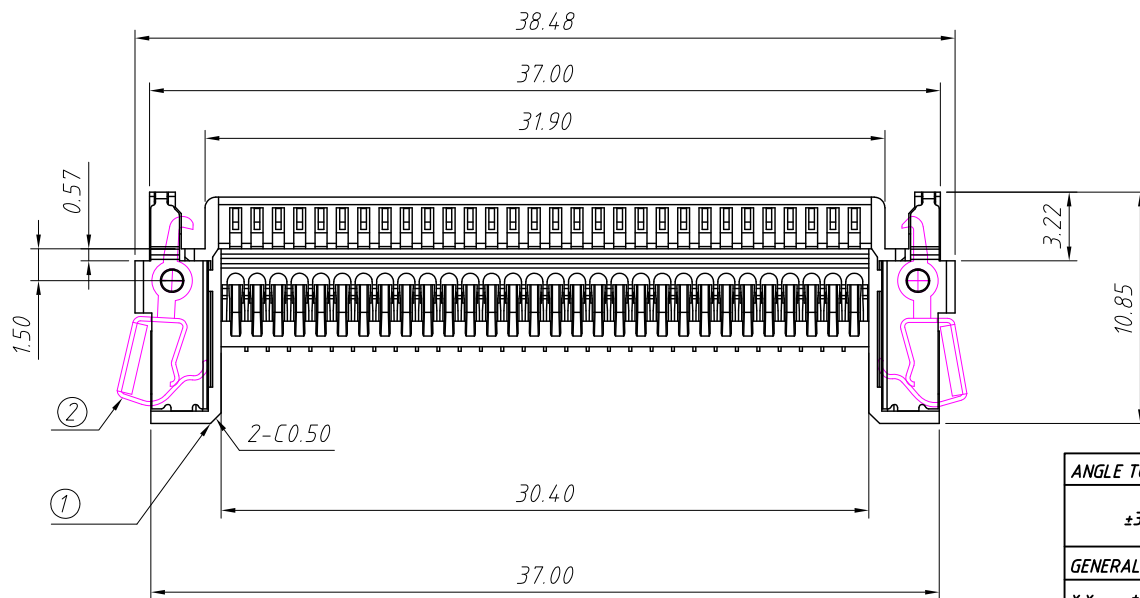
Order Information:

L-KLS1-XF9-1.00-XX-H3

- L: RoHS
- 1.00mm Pitch
- XX-No. of 20,30 pin
- Type:
 - H1-Without lock Hosing
 - H2-With lock Hosing
 - H3-With lock Hosing
 - RM-Horizontal SMT Pin
 - T-Terminal

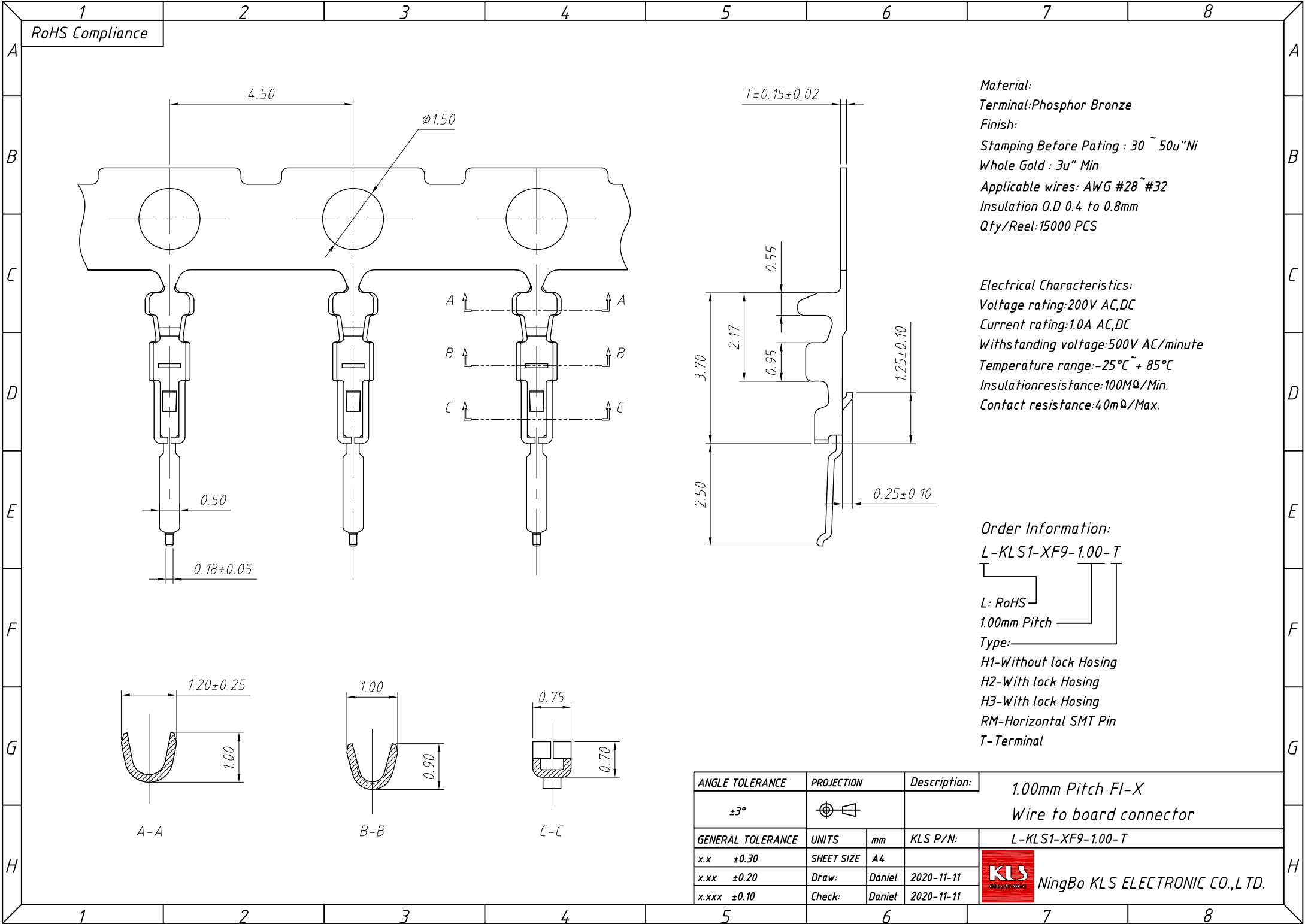


2.05
1.15



ANGLE TOLERANCE	PROJECTION	Description:	1.00mm Pitch FI-X Wire to board connector
±3°			
GENERAL TOLERANCE	UNITS	mm	KLS P/N: L-KLS1-XF9-1.00-XX-H2
x.x ±0.30	SHEET SIZE	A4	NingBo KLS ELECTRONIC CO.,L TD.
x.xx ±0.20	Draw:	Daniel 2020-11-11	
x.xxx ±0.10	Check:	Daniel 2020-11-11	

1
RoHS Compliance

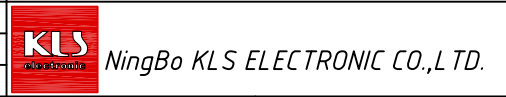


Material:
Terminal: Phosphor Bronze
Finish:
Stamping Before Pating : 30 ~ 50u"Ni
Whole Gold : 3u" Min
Applicable wires: AWG #28 ~ #32
Insulation O.D 0.4 to 0.8mm
Qty/Reel: 15000 PCS

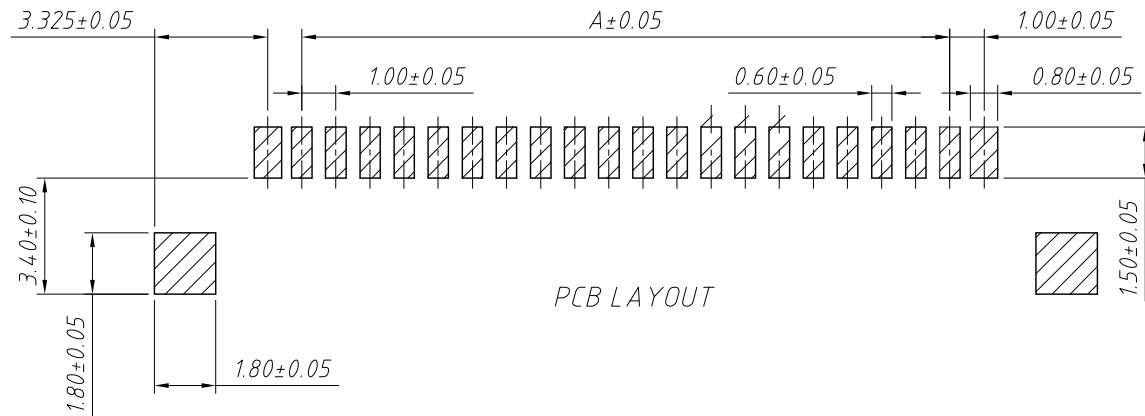
Electrical Characteristics:
Voltage rating: 200V AC, DC
Current rating: 1.0A AC, DC
Withstanding voltage: 500V AC/minute
Temperature range: -25°C ~ +85°C
Insulation resistance: 100M Ω /Min.
Contact resistance: 40m Ω /Max.

Order Information:
L-KLS1-XF9-1.00-T
L: RoHS
1.00mm Pitch
Type:
H1-Without lock Hosing
H2-With lock Hosing
H3-With lock Hosing
RM-Horizontal SMT Pin
T-Terminal

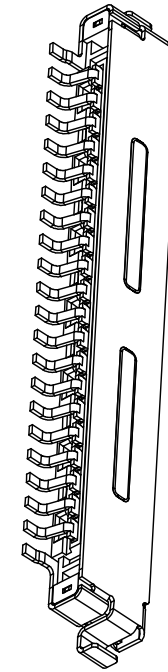
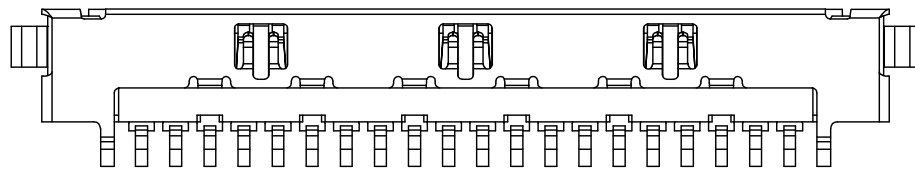
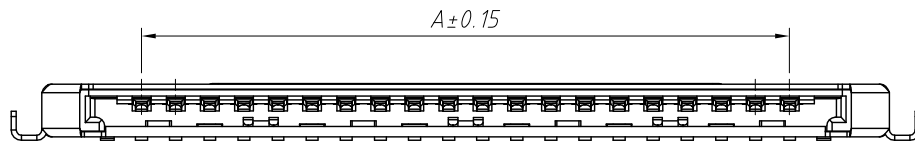
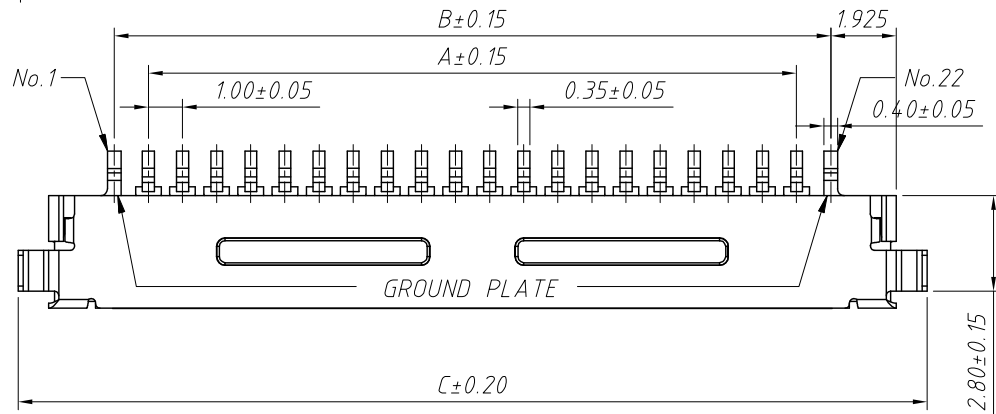
ANGLE TOLERANCE	PROJECTION	Description:	1.00mm Pitch FI-X Wire to board connector
$\pm 3^\circ$			
GENERAL TOLERANCE	UNITS	mm	KLS P/N:
x.x ± 0.30	SHEET SIZE	A4	L-KLS1-XF9-1.00-T
x.xx ± 0.20	Draw:	Daniel	2020-11-11
x.xxx ± 0.10	Check:	Daniel	2020-11-11



1 RoHS Compliance



PCB LAYOUT

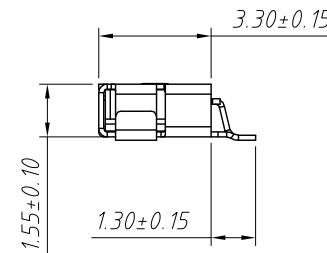


Material:
 Housing:LCP,UL94V-0
 Color:Natural
 Pin:Phosphor Bronze,Gold-plated
 Shell:Phosphor Bronze,Tin-plated

Electrical Characteristics:
 Voltage rating:200V AC,DC
 Current rating:1.0A AC,DC
 Withstanding voltage:500V AC/minute
 Temperature range:-25°C ~ + 85°C
 Insulation resistance:100MΩ/Min.
 Contact resistance:40mΩ/Max.

Order Information:
 L-KLS1-XF9-1.00-XX-RM

L: RoHS
 1.00mm Pitch
 XX-No. of 20,30 pin
 Type:
 H1-Without lock Hosing
 H2-With lock Hosing
 H3-With lock Hosing
 RM-Horizontal SMT Pin
 T-Terminal



Poles	Dimensions(mm)		
	A	B	C
20	19.00	21.00	26.65
30	29.00	31.00	36.65

ANGLE TOLERANCE	PROJECTION	Description:
±3°		1.00mm Pitch FI-X Wire to board connector
GENERAL TOLERANCE	UNITS	mm
x.x ±0.30	SHEET SIZE	A4
x.xx ±0.20	Draw:	Daniel 2020-11-11
x.xxx ±0.10	Check:	Daniel 2020-11-11



NingBo KLS ELECTRONIC CO.,LTD.