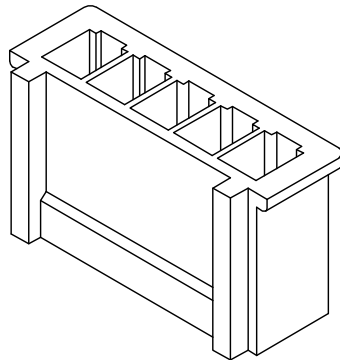
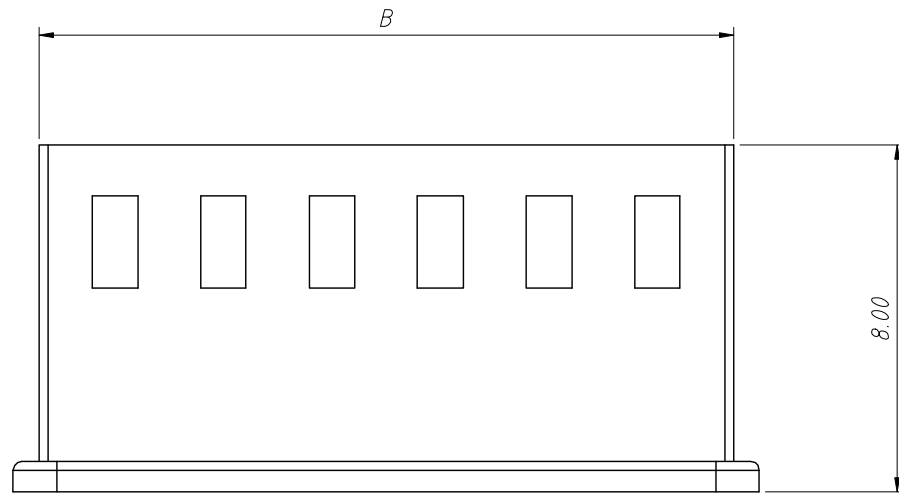
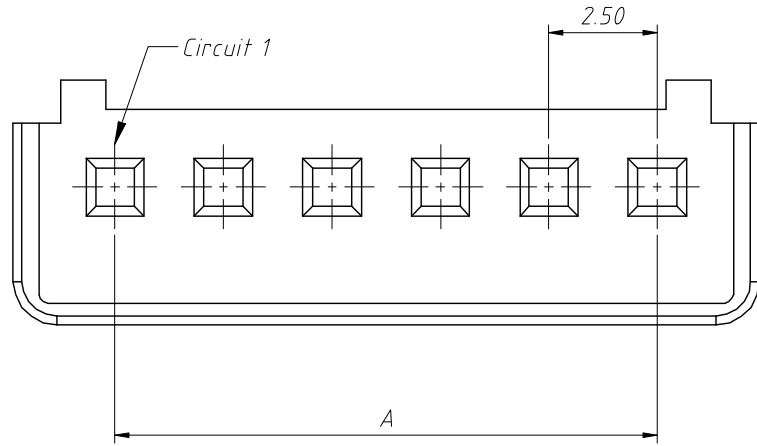


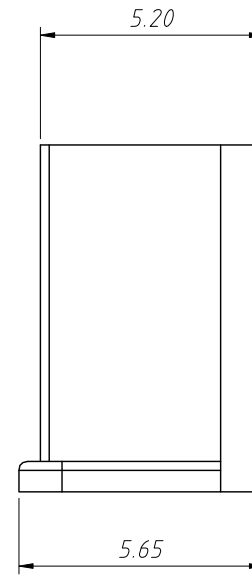
RoHS Compliance



Material:
Housing: PA66, UL 94 V-2, Natural

Electrical Characteristics:
Rated Current: 3.0AMP
Voltage rating: 250V AC, DC
Temperature range: -25°C ~ +85°C
Insulator Resistance: 1000MΩ Min
Withstanding Voltage: 800V AC/minute
Contact Resistance: 10mΩ Max

Pin	Dimensions (mm)	
	A	B
02	2.50	6.00
03	5.00	8.50
04	7.50	11.00
05	10.00	13.50
06	12.50	16.00
07	15.00	18.50
08	17.50	21.00
09	20.00	23.50
10	22.50	26.00
11	25.00	28.50
12	27.50	31.00
13	30.00	33.50
14	32.50	36.00
15	35.00	38.50
16	37.50	41.00
17	40.00	43.50
18	42.50	46.00
19	45.00	48.50
20	47.50	51.00



Order Information:

L-KLS1-XA1-2.50-XX-H

L: RoHS

Pitch: 2.50mm

XX-No. of 02~20 pins

Type:

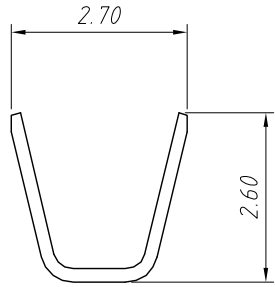
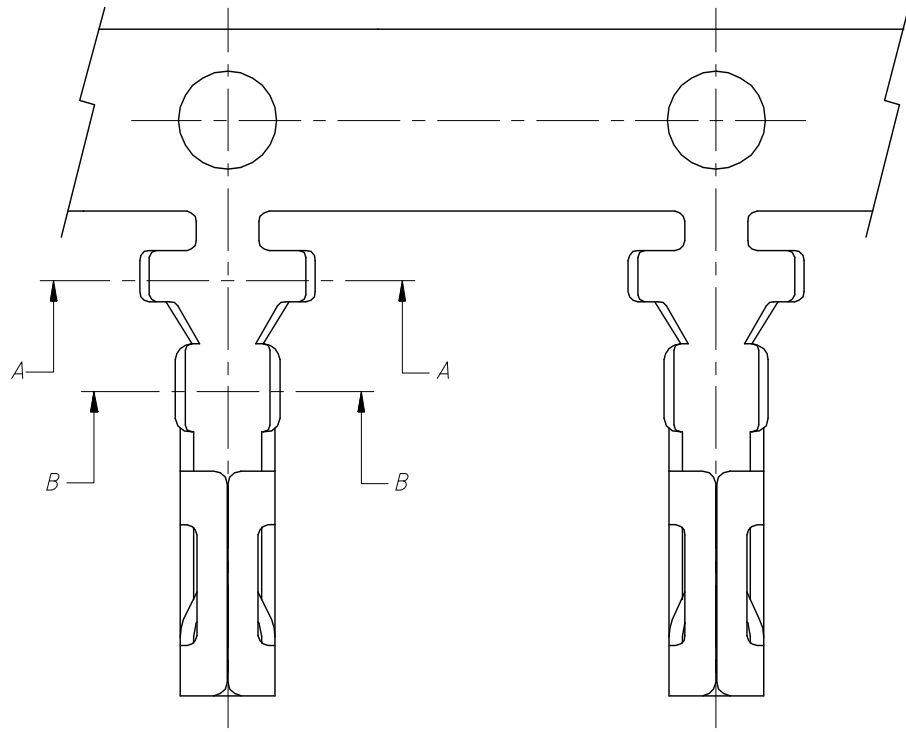
T-Terminal H-Hosing

S-Straight male pin

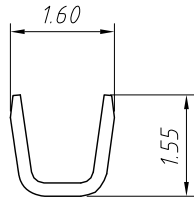
R / R1-Right angle male pin

ANGLE TOLERANCE	PROJECTION	Description:
±3°		2.50mm Pitch 5051 5045 5046 Wire To Board Connector
GENERAL TOLERANCE	UNITS	mm
x.x ±0.30	SHEET SIZE	A4
x.xx ±0.20	Draw:	Daniel 2021-01-11
x.xxx ±0.10	Check:	Daniel 2021-01-11
		KLS P/N: L-KLS1-XA1-2.50-XX-H
		NingBo KLS ELECTRONIC CO.,LTD.

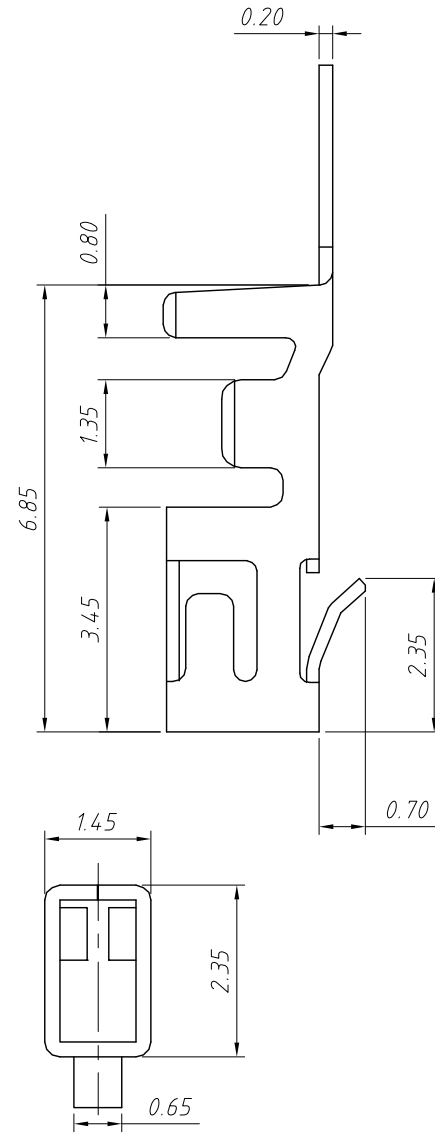
1 RoHS Compliance



A-A



B-B



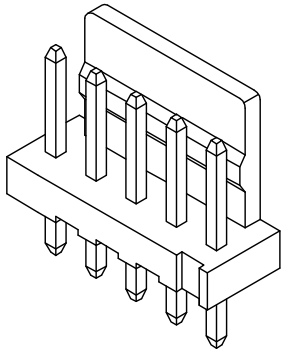
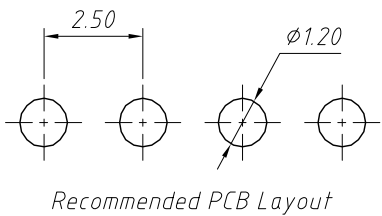
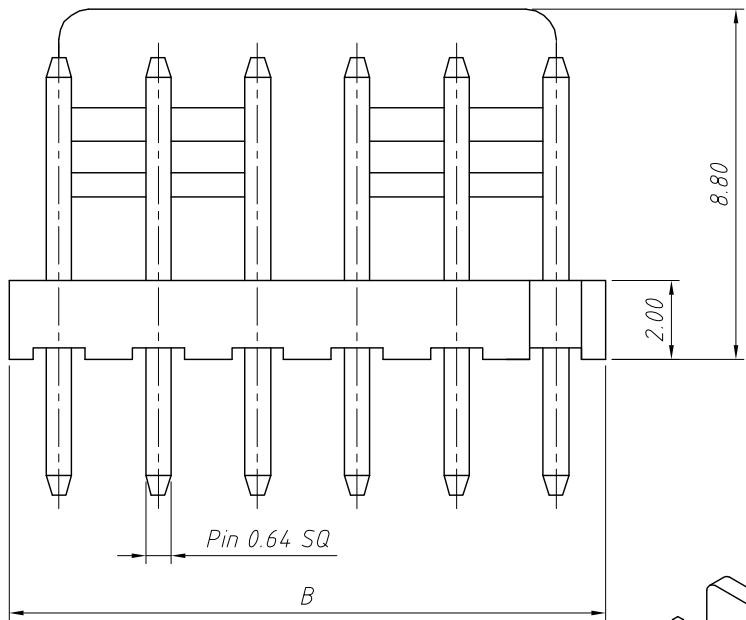
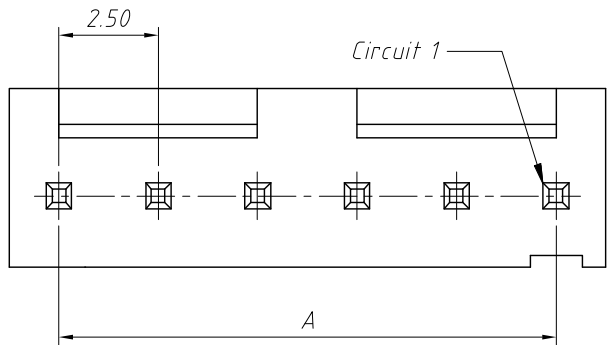
Material:
 Terminal: Phosphor Bronze
 Plating: Tin plated
 Applicable wires: AWG #22 ~ # 28
 Insulation O.D.: 1.8mm
 Qty/reel: 8000 pcs

Electrical Characteristics:
 Rated Current: 3.0AMP
 Voltage rating: 250V AC, DC
 Temperature range: -25°C ~ +85°C
 Insulator Resistance: 1000MΩ Min
 Withstanding Voltage: 800V AC/minute
 Contact Resistance: 10mΩ Max

Order Information:
 L-KLS1-XA1-2.50-T
 L: RoHS
 Pitch: 2.50mm
 Type:
 T-Terminal H-Hosing
 S-Straight male pin
 R / R1-Right angle male pin

ANGLE TOLERANCE	PROJECTION	Description:	2.50mm Pitch 50515045 5046
±3°		Wire To Board Connector	
GENERAL TOLERANCE	UNITS	mm	KLS P/N: L-KLS1-XA1-2.50-T
x.x ±0.30	SHEET SIZE	A4	NingBo KLS ELECTRONIC CO.,L TD.
x.xx ±0.20	Draw:	Daniel 2021-01-11	
x.xxx ±0.10	Check:	Daniel 2021-01-11	

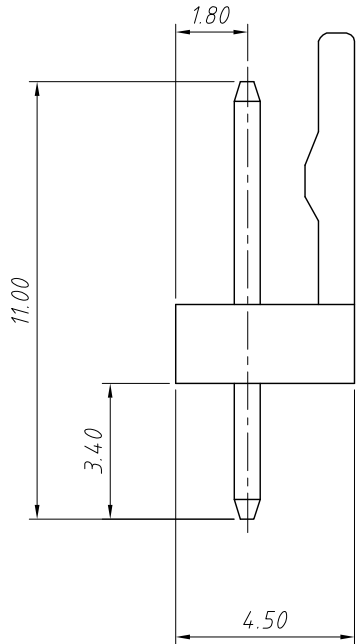
1
RoHS Compliance



Material:
Housing: PA66, UL 94V-2
Contact: Brass
Plating: Tin plate

Electrical Characteristics:
Rated Current: 3.0AMP
Voltage rating: 250V AC, DC
Temperature range: $-25^{\circ}\text{C} \sim +85^{\circ}\text{C}$
Insulator Resistance: $1000\text{M}\Omega$ Min
Withstanding Voltage: 800V AC/minute
Contact Resistance: $10\text{m}\Omega$ Max

Pin	Dimensions (mm)	
	A	B
02	2.50	5.00
03	5.00	7.50
04	7.50	10.00
05	10.00	12.50
06	12.50	15.00
07	15.00	17.50
08	17.50	20.00
09	20.00	22.50
10	22.50	25.00
11	25.00	27.50
12	27.50	30.00
13	30.00	32.50
14	32.50	35.00
15	35.00	37.50
16	37.50	40.00
17	40.00	42.50
18	42.50	45.00
19	45.00	47.50
20	47.50	50.00



Order Information:
L-KLS1-XA1-2.50-XX-S

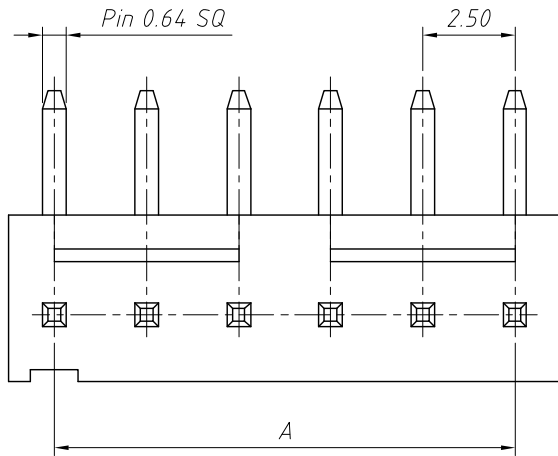
L: RoHS
Pitch: 2.50mm
XX-No. of 02~20 pins
Type:
T-Terminal H-Hosing
S-Straight male pin
R / R1-Right angle male pin

ANGLE TOLERANCE	PROJECTION	Description:
$\pm 3^{\circ}$		2.50mm Pitch 5051 5045 5046 Wire To Board Connector
GENERAL TOLERANCE	UNITS	mm
x.x ± 0.30	SHEET SIZE	A4
x.xx ± 0.20	Draw:	Daniel 2021-01-11
x.xxx ± 0.10	Check:	Daniel 2021-01-11

L-KLS1-XA1-2.50-XX-S

NingBo KLS ELECTRONIC CO.,LTD.

1 RoHS Compliance

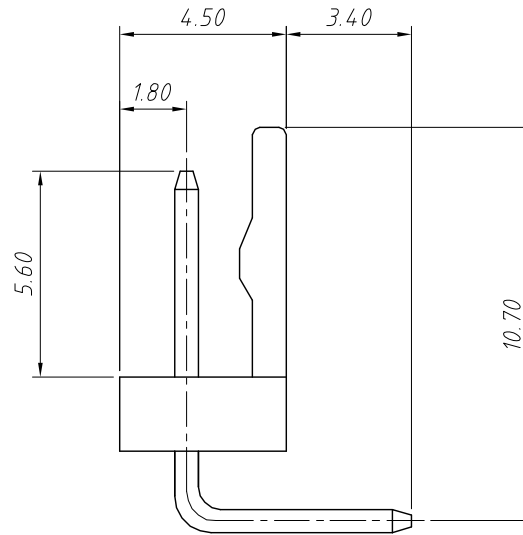
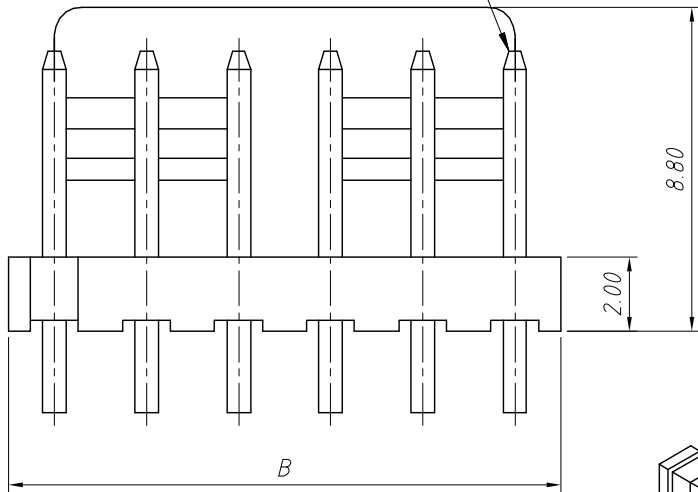


Material:
 Housing: PA66, UL 94 V-2
 Contact: Brass
 Plating: Tin plate

Electrical Characteristics:
 Rated Current: 3.0AMP
 Voltage rating: 250V AC, DC
 Temperature range: -25°C ~ +85°C
 Insulator Resistance: 1000MΩ Min
 Withstanding Voltage: 800V AC/minute
 Contact Resistance: 10mΩ Max

Pin	Dimensions(mm)	
	A	B
02	2.50	5.00
03	5.00	7.50
04	7.50	10.00
05	10.00	12.50
06	12.50	15.00
07	15.00	17.50
08	17.50	20.00
09	20.00	22.50
10	22.50	25.00
11	25.00	27.50
12	27.50	30.00
13	30.00	32.50
14	32.50	35.00
15	35.00	37.50
16	37.50	40.00
17	40.00	42.50
18	42.50	45.00
19	45.00	47.50
20	47.50	50.00

Circuit 1



Order Information:

L-KLS1-XA1-2.50-XX-R1

L: RoHS

Pitch: 2.50mm

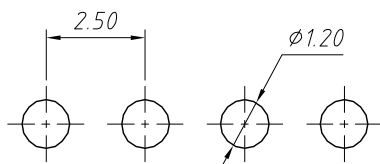
XX-No. of 02~20 pins

Type:

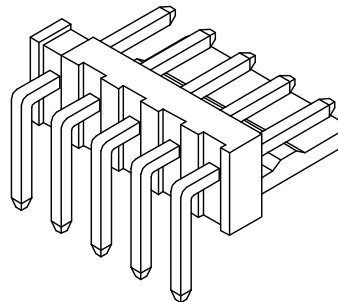
T-Terminal H-Hosing

S-Straight male pin

R / R1-Right angle male pin

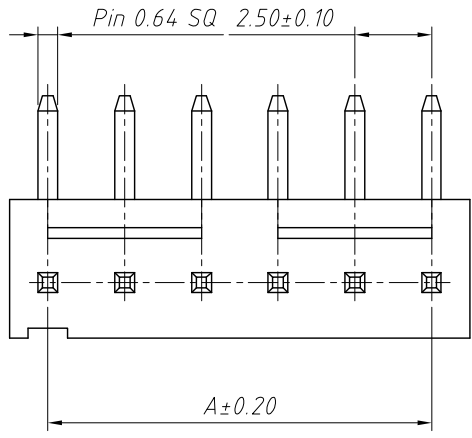


Recommended PCB Layout



ANGLE TOLERANCE	PROJECTION	Description:	
±3°		2.50mm Pitch 50515045 5046	
GENERAL TOLERANCE	UNITS	mm	KLS P/N: L-KLS1-XA1-2.50-XX-R1
x.x ±0.30	SHEET SIZE	A4	NingBo KLS ELECTRONIC CO.,L TD.
x.xx ±0.20	Draw:	Daniel 2021-01-11	
x.xxx ±0.10	Check:	Daniel 2021-01-11	

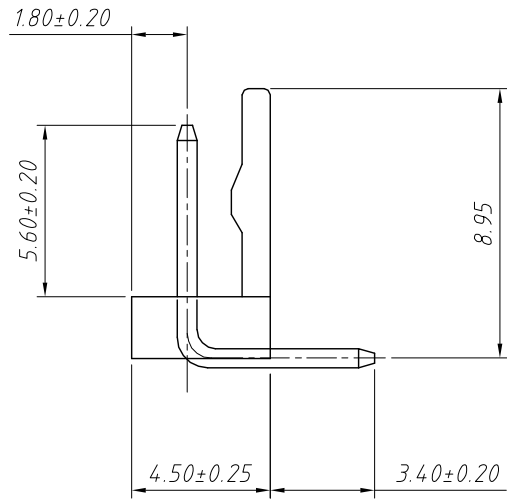
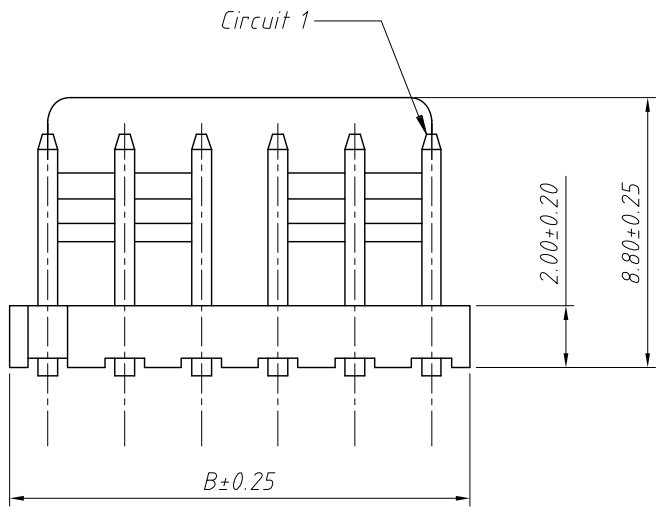
1
RoHS Compliance



Material:
 Housing: PA66, UL 94 V-2
 Contact: Brass
 Plating: Tin plate

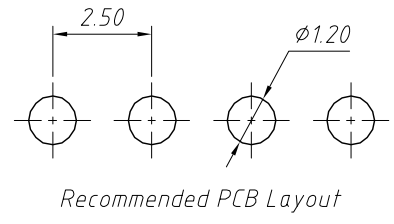
Electrical Characteristics:
 Rated Current: 3.0AMP
 Voltage rating: 250V AC, DC
 Temperature range: -25°C ~ +85°C
 Insulator Resistance: 1000MΩ Min
 Withstanding Voltage: 800V AC/minute
 Contact Resistance: 10mΩ Max

Pin	Dimensions(mm)	
	A	B
02	2.50	5.00
03	5.00	7.50
04	7.50	10.00
05	10.00	12.50
06	12.50	15.00
07	15.00	17.50
08	17.50	20.00
09	20.00	22.50
10	22.50	25.00
11	25.00	27.50
12	27.50	30.00
13	30.00	32.50
14	32.50	35.00
15	35.00	37.50
16	37.50	40.00
17	40.00	42.50
18	42.50	45.00
19	45.00	47.50
20	47.50	50.00



Order Information:
 L-KLS1-XA1-2.50-XX-R

L: RoHS
 Pitch: 2.50mm
 XX-No. of 02~20 pins
 Type:
 T-Terminal H-Hosing
 S-Straight male pin
 R / R1-Right angle male pin



ANGLE TOLERANCE	PROJECTION	Description:	2.50mm Pitch 5051 5045 5046
±3°			Wire To Board Connector
GENERAL TOLERANCE	UNITS	mm	KLS P/N: L-KLS1-XA1-2.50-XX-R
x.x ±0.30	SHEET SIZE	A4	NingBo KLS ELECTRONIC CO.,L TD.
x.xx ±0.20	Draw:	Daniel 2021-01-11	
x.xxx ±0.10	Check:	Daniel 2021-01-11	