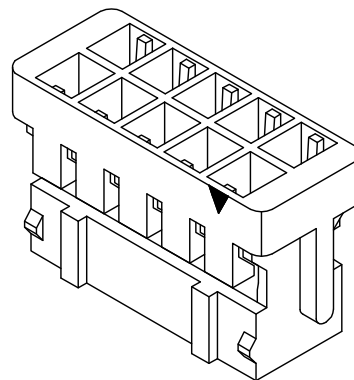
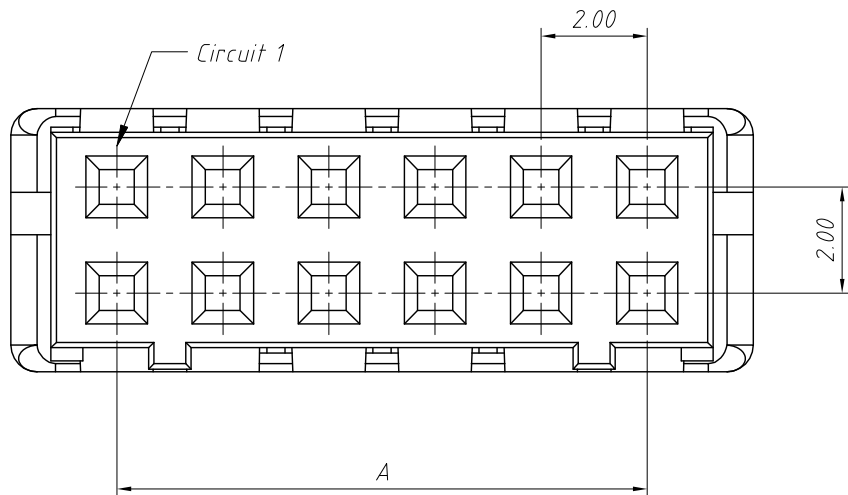


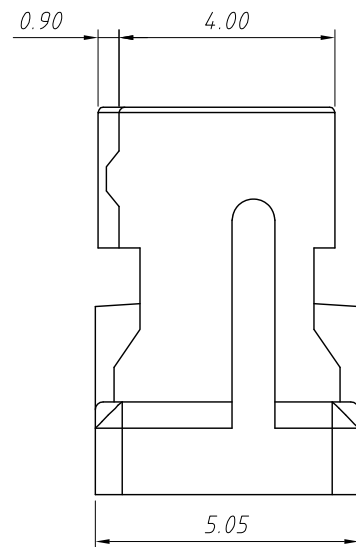
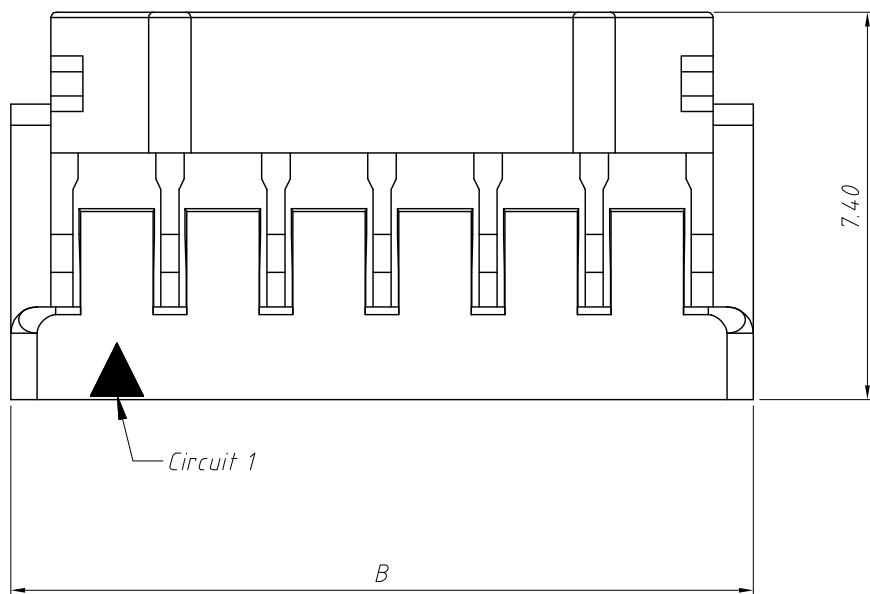
RoHS Compliance



Material:
Housing:PA66,UL 94V-0

Electrical Characteristics:
Rated Current:2.0AMP
Voltage rating:250V AC,DC
Withstanding Voltage:800V AC/minute
Insulator Resistance:1000M Ω Min
Temperature range:-25°C ~ +85°C
Contact Resistance:30m Ω Max

Pin	Dimensions(mm)	
	A	B
2x02	2.00	6.00
2x03	4.00	8.00
2x04	6.00	10.00
2x05	8.00	12.00
2x06	10.00	14.00
2x07	12.00	16.00
2x08	14.00	18.00
2x09	16.00	20.00
2x10	18.00	22.00
2x11	20.00	24.00
2x12	22.00	26.00
2x13	24.00	28.00
2x14	26.00	30.00
2x15	28.00	32.00
2x16	30.00	34.00
2x17	32.00	36.00
2x18	34.00	38.00
2x19	36.00	40.00
2x20	38.00	42.00



Order Information:

L-KLS1-XL10-2.00-2xXX-H

L: RoHS

Pitch:2.00mm

Pins:2-Double layer

XX-No. of 02~20 pins

Type:

T-Terminal H-Hosing

S-Straight male pin

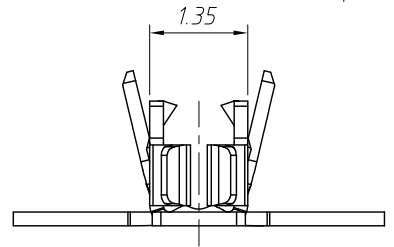
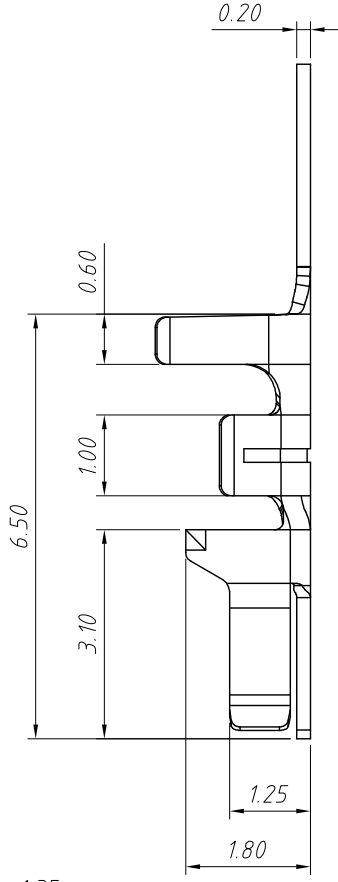
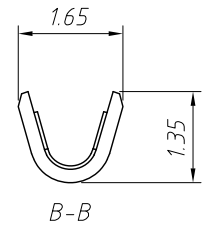
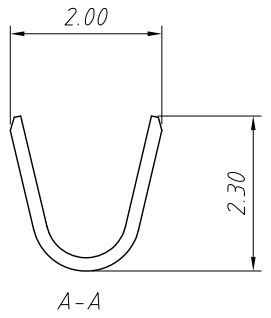
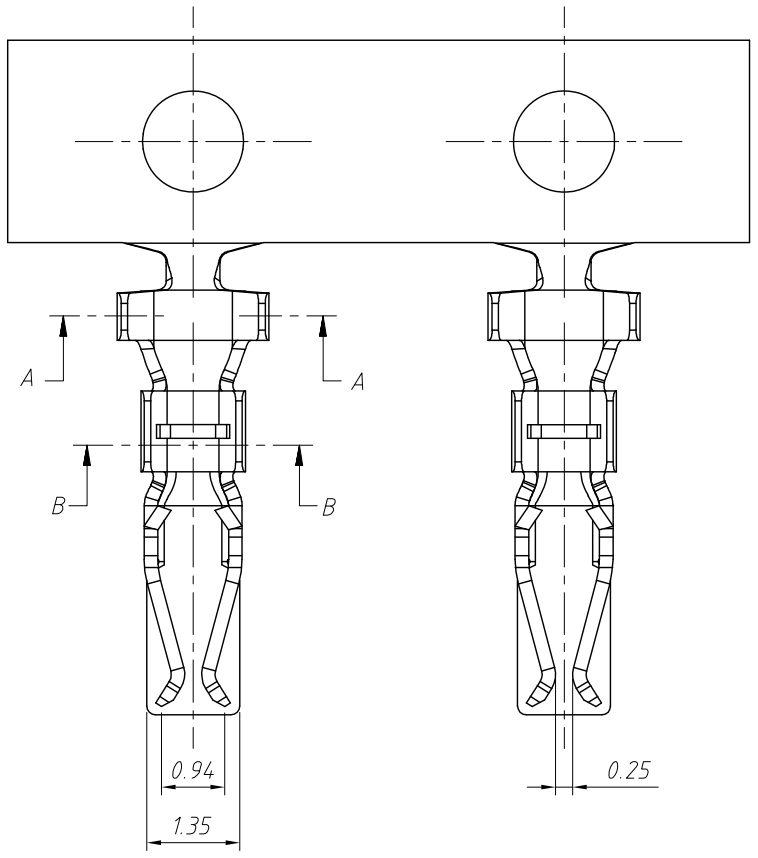
R-Right angle male pin

VM-Vertical SMT Pin

ANGLE TOLERANCE	PROJECTION	Description:		
$\pm 3^\circ$		2.00mm Pitch DF11 Wire to Board Connector		
GENERAL TOLERANCE	UNITS	mm	KLS P/N:	L-KLS1-XL10-2.00-2xXX-H
x.x ± 0.30	SHEET SIZE	A4		
x.xx ± 0.20	Draw:	Daniel	2021-01-11	
x.xxx ± 0.10	Check:	Daniel	2021-01-11	

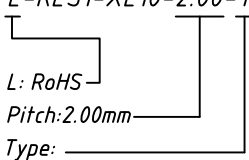
NingBo KLS ELECTRONIC CO.,L TD.

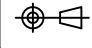
1
RoHS Compliance




Material:
Terminal: Phosphor Bronze
Plating: Tin plated
Applicable wires: AWG #22 ~ #30
Insulation O.D: 1.45mm Max
Qty/reel: 10000 pcs

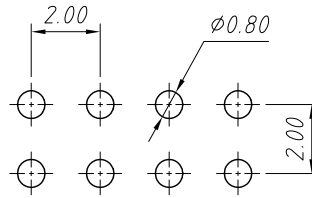
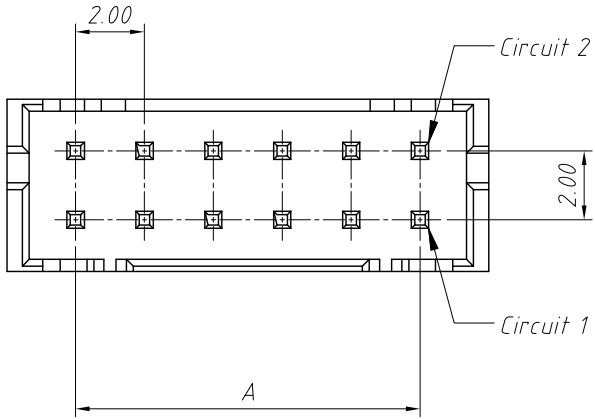
Electrical Characteristics:
Rated Current: 2.0AMP
Voltage rating: 250V AC, DC
Withstanding Voltage: 800V AC/minute
Insulator Resistance: 1000MΩ Min
Temperature range: -25°C ~ +85°C
Contact Resistance: 30mΩ Max

Order Information:
L-KLS1-XL10-2.00-T

L: RoHS
Pitch: 2.00mm
Type: _____
T-Terminal
H-Hosing
S-Straight male pin
R-Right angle male pin
VM-Vertical SMT Pin

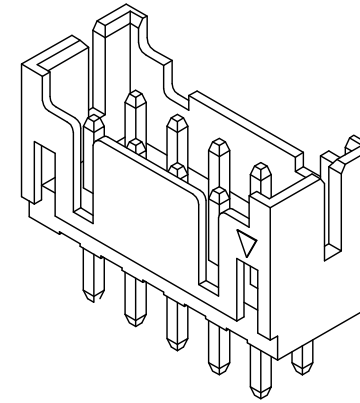
ANGLE TOLERANCE	PROJECTION	Description:	
±3°		2.00mm Pitch DF11 Wire to Board Connector	
GENERAL TOLERANCE	UNITS	mm	KLS P/N:
x.x ±0.30	SHEET SIZE	A4	L-KLS1-XL10-2.00-T
x.xx ±0.20	Draw:	Daniel	2021-01-11
x.xxx ±0.10	Check:	Daniel	2021-01-11

 NingBo KLS ELECTRONIC CO.,LTD.

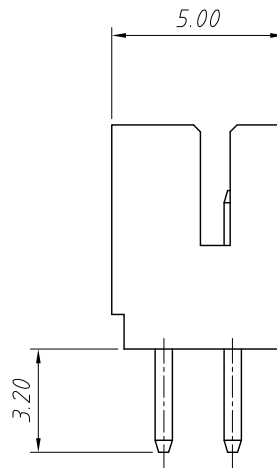
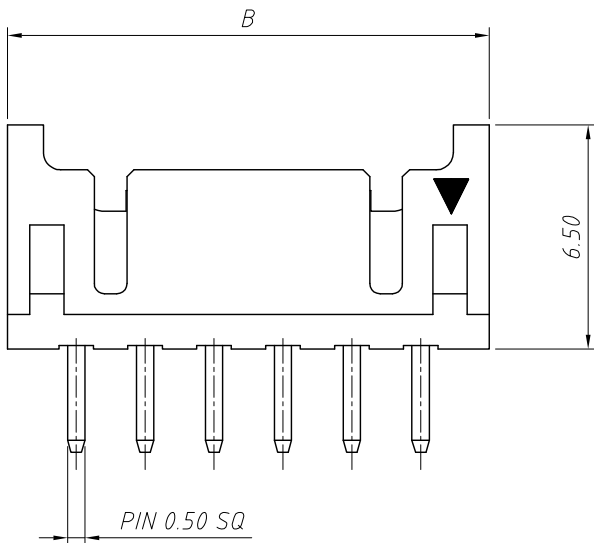
1 RoHS Compliance



Recommended PCB Layout



Pin	Dimensions(mm)	
	A	B
2x02	2.00	6.00
2x03	4.00	8.00
2x04	6.00	10.00
2x05	8.00	12.00
2x06	10.00	14.00
2x07	12.00	16.00
2x08	14.00	18.00
2x09	16.00	20.00
2x10	18.00	22.00
2x11	20.00	24.00
2x12	22.00	26.00
2x13	24.00	28.00
2x14	26.00	30.00
2x15	28.00	32.00
2x16	30.00	34.00
2x17	32.00	36.00
2x18	34.00	38.00
2x19	36.00	40.00
2x20	38.00	42.00



Material:
Housing:PA66,UL 94 V-0
Contact:Brass
Plating: Tin plated

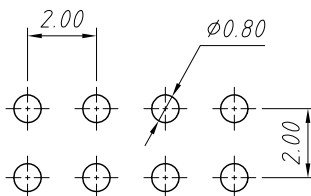
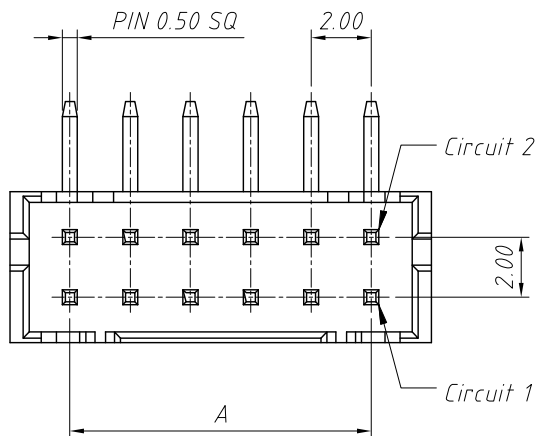
Electrical Characteristics:
Rated Current:2.0AMP
Voltage rating:250V AC,DC
Withstanding Voltage:800V AC/minute
Insulator Resistance:1000MΩ Min
Temperature range:-25°C ~ +85°C
Contact Resistance:30mΩ Max

Order Information:
L-KLS1-XL10-2.00-2xXX-S

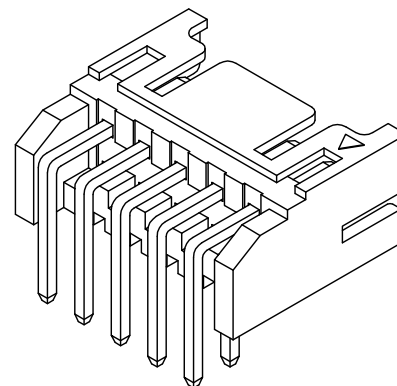
L: RoHS
Pitch:2.00mm
Pins:2-Double layer
XX-No. of 02~20 pins
Type: _____
T-Terminal H-Hosing
S-Straight male pin
R-Right angle male pin
VM-Vertical SMT Pin

ANGLE TOLERANCE	PROJECTION		Description:	
±3°			2.00mm Pitch DF11 Wire to Board Connector	
GENERAL TOLERANCE	UNITS	mm	KLS P/N:	L-KLS1-XL10-2.00-2xXX-S
x.x ±0.30	SHEET SIZE	A4		NingBo KLS ELECTRONIC CO.,L TD.
x.xx ±0.20	Draw:	Daniel	2021-01-11	
x.xxx ±0.10	Check:	Daniel	2021-01-11	

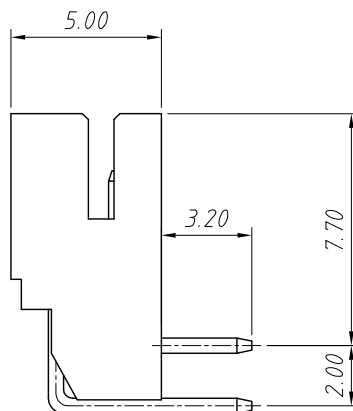
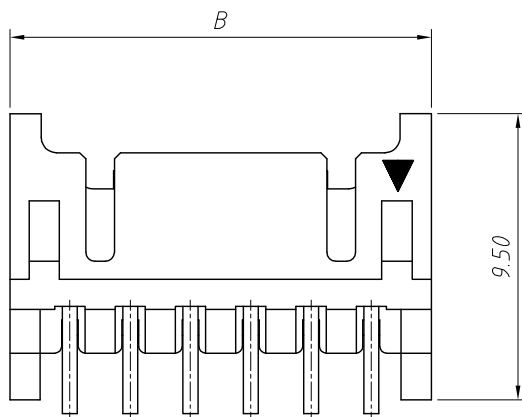
1 RoHS Compliance



Recommended PCB Layout



Pin	Dimensions(mm)	
	A	B
2×02	2.00	6.00
2×03	4.00	8.00
2×04	6.00	10.00
2×05	8.00	12.00
2×06	10.00	14.00
2×07	12.00	16.00
2×08	14.00	18.00
2×09	16.00	20.00
2×10	18.00	22.00
2×11	20.00	24.00
2×12	22.00	26.00
2×13	24.00	28.00
2×14	26.00	30.00
2×15	28.00	32.00
2×16	30.00	34.00
2×17	32.00	36.00
2×18	34.00	38.00
2×19	36.00	40.00
2×20	38.00	42.00

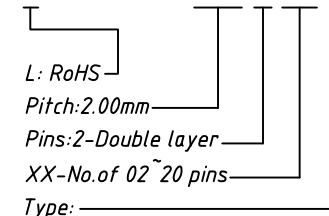


Material:
Housing:PA66,UL 94.V-0
Contact:Brass
Plating:Tin plated

Electrical Characteristics:
Rated Current:2.0AMP
Voltage rating:250V AC,DC
Withstanding Voltage:800V AC/minute
Insulator Resistance:1000MΩ Min
Temperature range:-25°C ~ +85°C
Contact Resistance:30mΩ Max

Order Information:

L-KLS1-XL10-2.00-2×XX-R

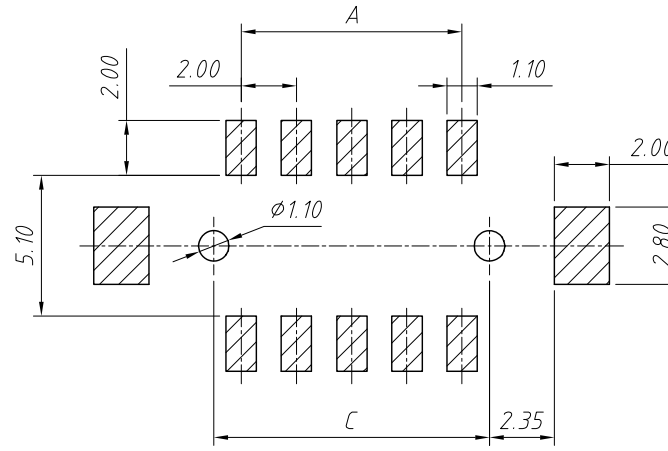
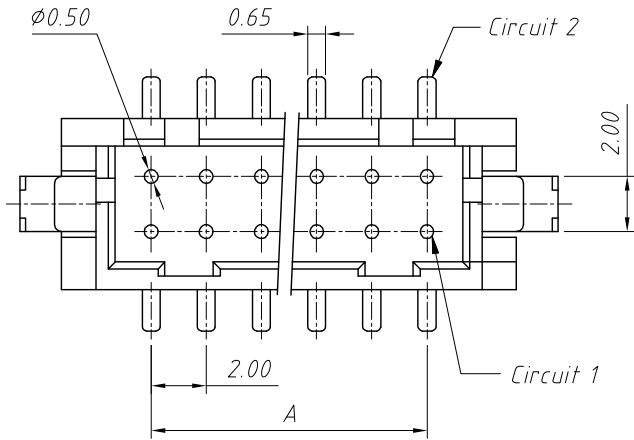


L: RoHS
Pitch:2.00mm
Pins:2-Double layer
XX-No.of 02~20 pins
Type: T-Terminal H-Hosing
S-Straight male pin
R-Right angle male pin
VM-Vertical SMT Pin

ANGLE TOLERANCE	PROJECTION	Description:		
±3°		2.00mm Pitch DF11 Wire to Board Connector		
GENERAL TOLERANCE	UNITS	mm	KLS P/N:	L-KLS1-XL10-2.00-2×XX-R
x.x ±0.30	SHEET SIZE	A4		
x.xx ±0.20	Draw:	Daniel	2021-01-11	
x.xxx ±0.10	Check:	Daniel	2021-01-11	

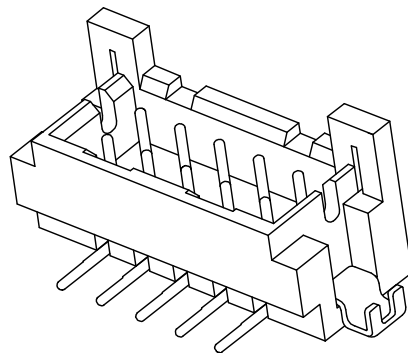
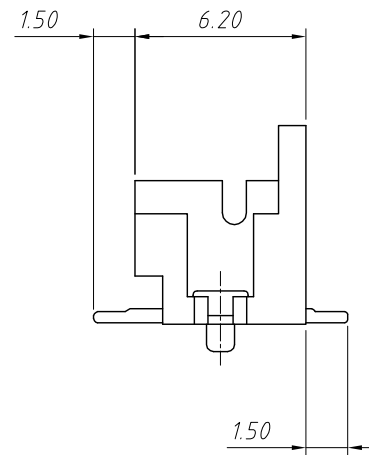
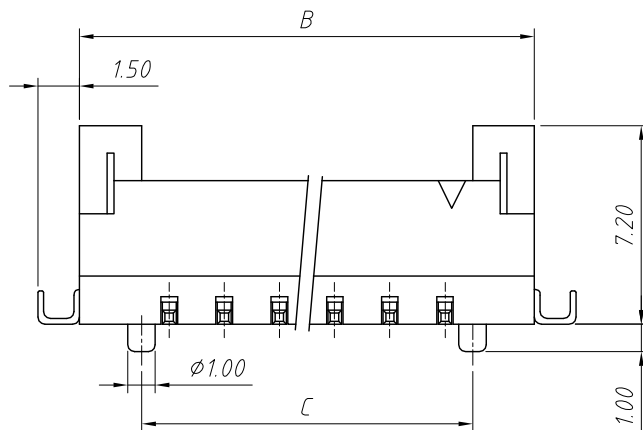
KLS NingBo KLS ELECTRONIC CO.,L TD.

1 RoHS Compliance



Recommended PCB Layout

Pin	Dimensions(mm)		
	A	B	C
2x02	2.00	8.50	4.00
2x03	4.00	10.50	6.00
2x04	6.00	12.50	8.00
2x05	8.00	14.50	10.00
2x06	10.00	16.50	12.00
2x07	12.00	18.50	14.00
2x08	14.00	20.50	16.00
2x09	16.00	22.50	18.00
2x10	18.00	24.50	20.00
2x11	20.00	26.50	22.00
2x12	22.00	28.50	24.00
2x13	24.00	30.50	26.00
2x14	26.00	32.50	28.00
2x15	28.00	34.50	30.00
2x20	38.00	44.50	40.00

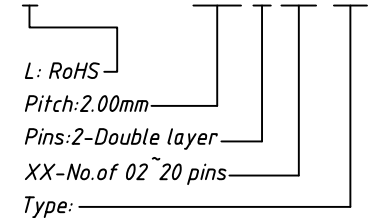


Material:
Housing:PA66,UL94V-0
Contact:Brass
Plating:Tin plated

Electrical Characteristics:
Rated Current:2.0AMP
Voltage rating:250V AC,DC
Withstanding Voltage:800V AC/minute
Insulator Resistance:1000MΩ Min
Temperature range:-25°C ~ + 85°C
Contact Resistance:30mΩ Max

Order Information:

L-KLS1-XL10-2.00-2xXX-VM



Type: _____
T-Terminal H-Hosing
S-Straight male pin
R-Right angle male pin
VM-Vertical SMT Pin

ANGLE TOLERANCE	PROJECTION	Description:		
±3°		2.00mm Pitch DF11 Wire to Board Connector		
GENERAL TOLERANCE	UNITS	mm	KLS P/N:	L-KLS1-XL10-2.00-2xXX-VM
x.x ±0.30	SHEET SIZE	A4		
x.xx ±0.20	Draw:	Daniel	2021-01-11	
x.xxx ±0.10	Check:	Daniel	2021-01-11	

NingBo KLS ELECTRONIC CO.,L TD.